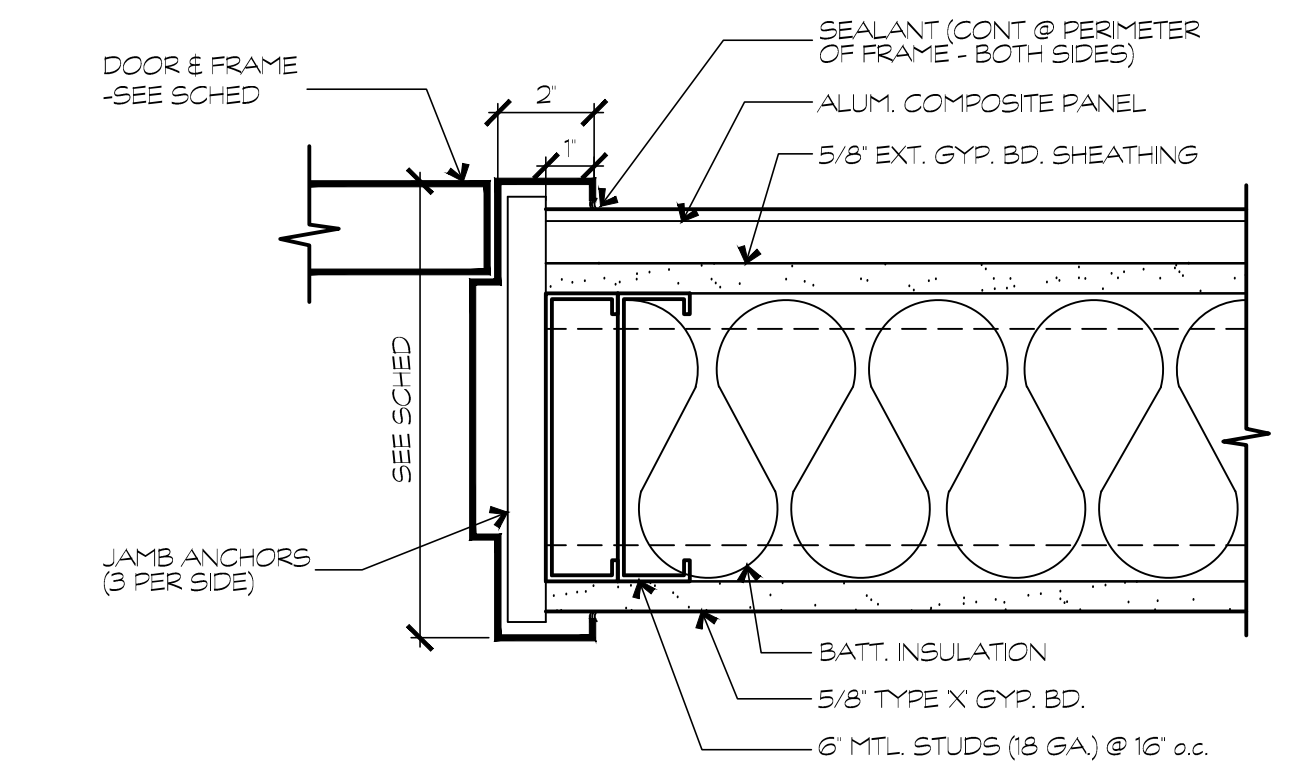
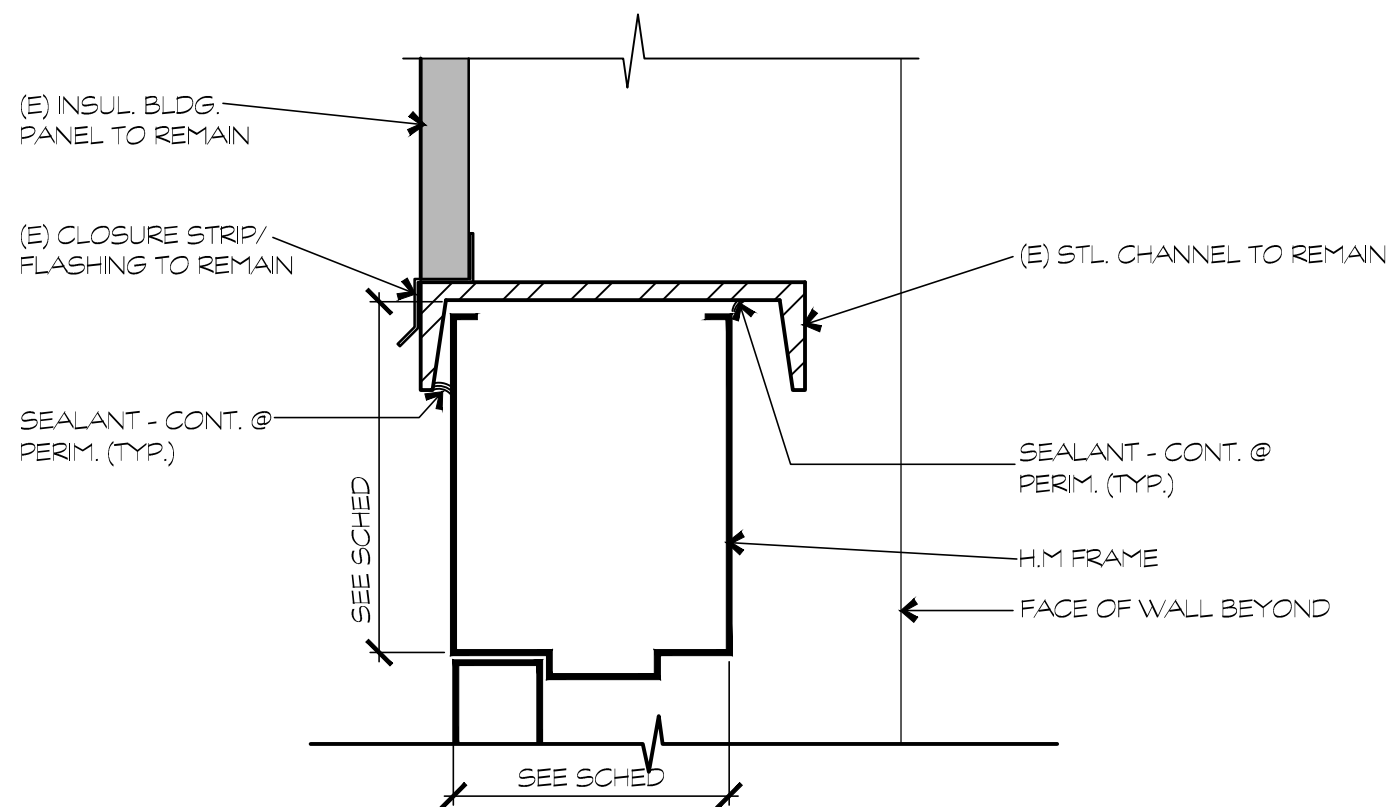


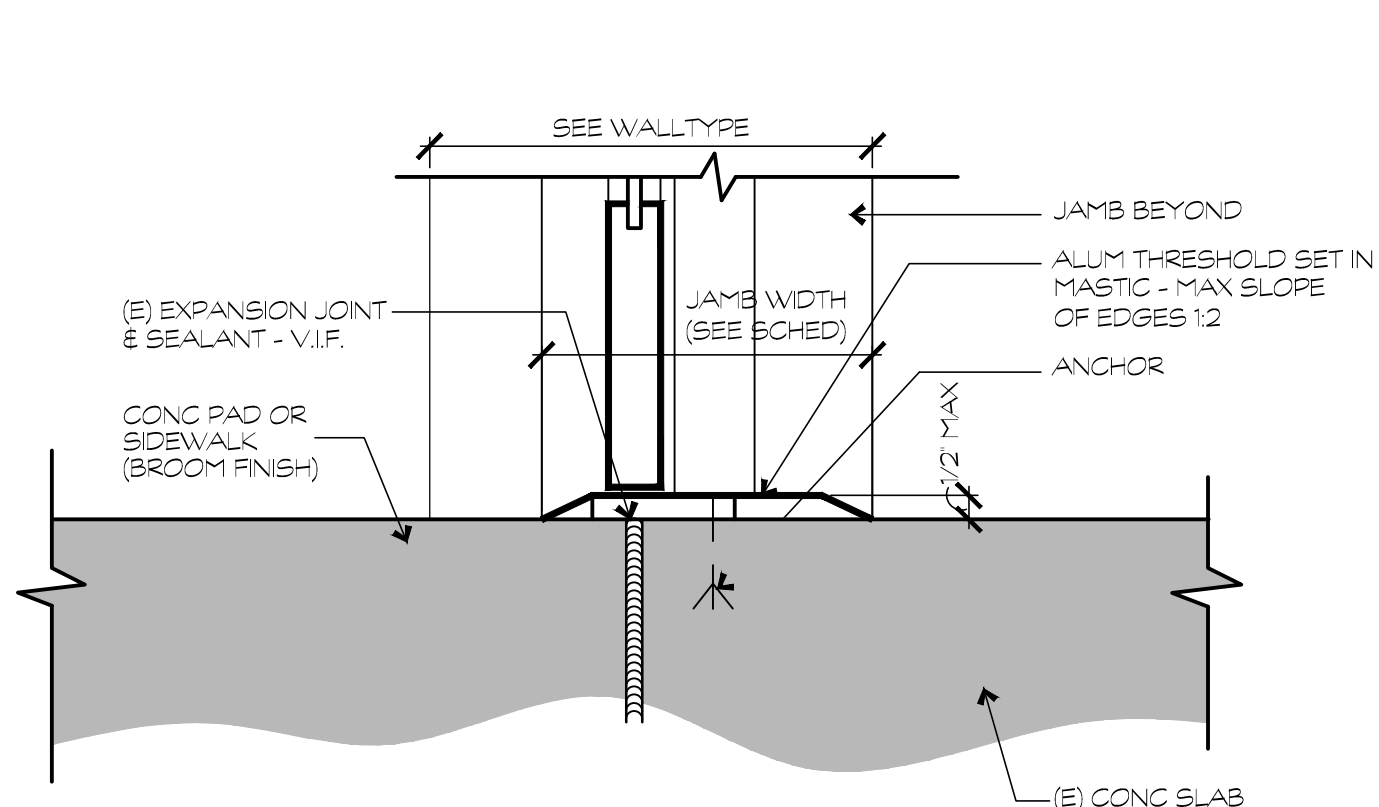
H.M. HEAD DETAIL • ALUM PANEL SYSTEM (19)
3" = 1'-0" (A2.3)



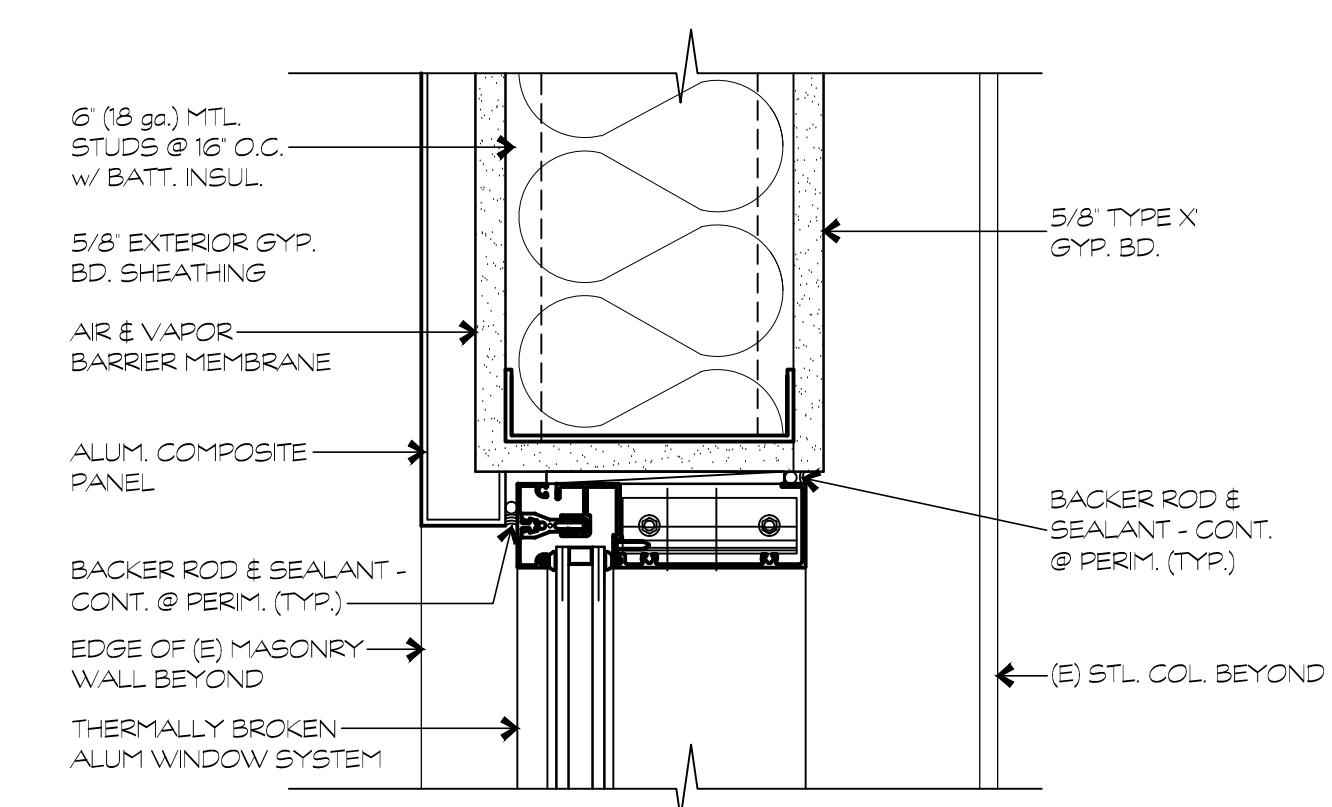
H.M. JAMB DETAIL • ALUM PANEL SYSTEM (18)
3" = 1'-0" (A2.3)



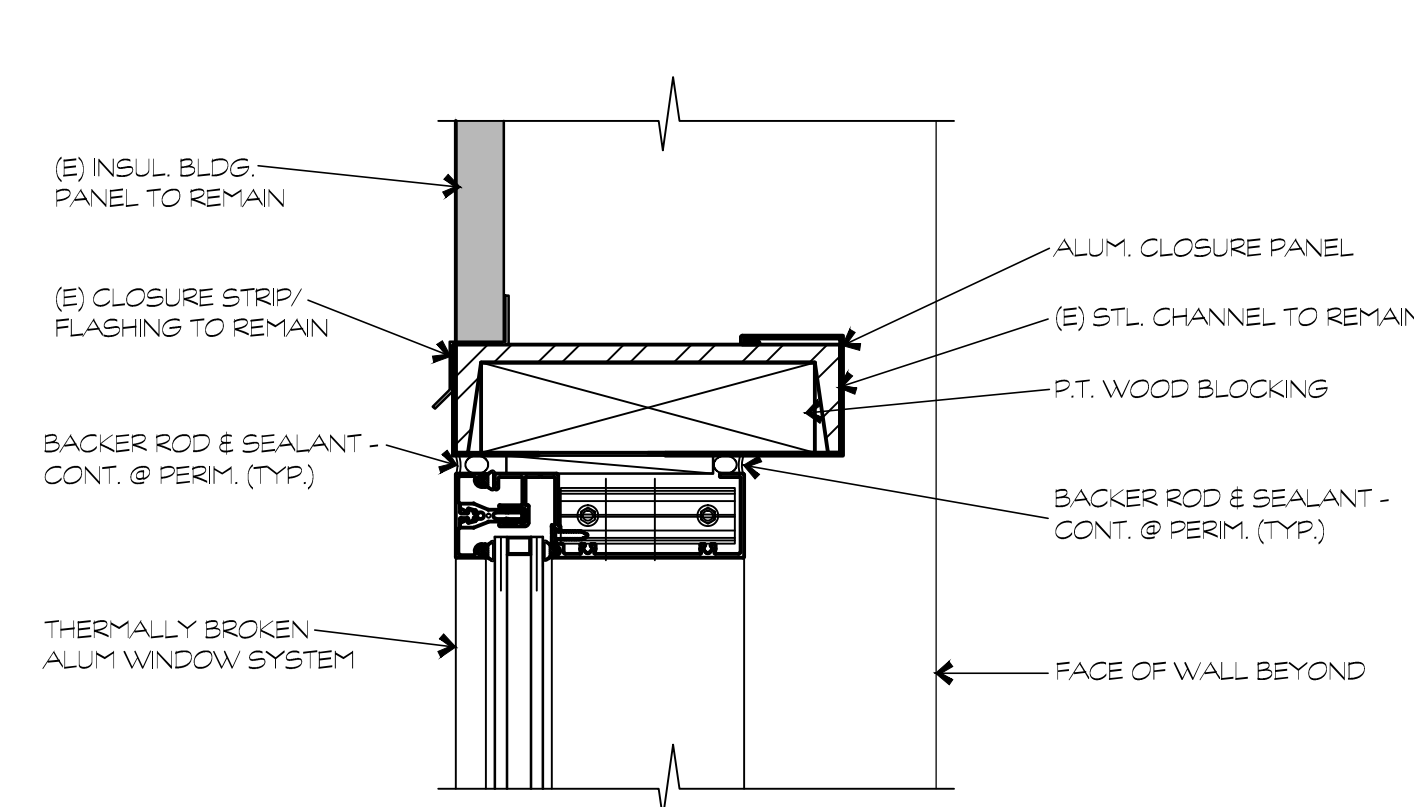
H.M. HEAD DETAIL • (E) STL CHANNEL (17)
3" = 1'-0" (A2.3)



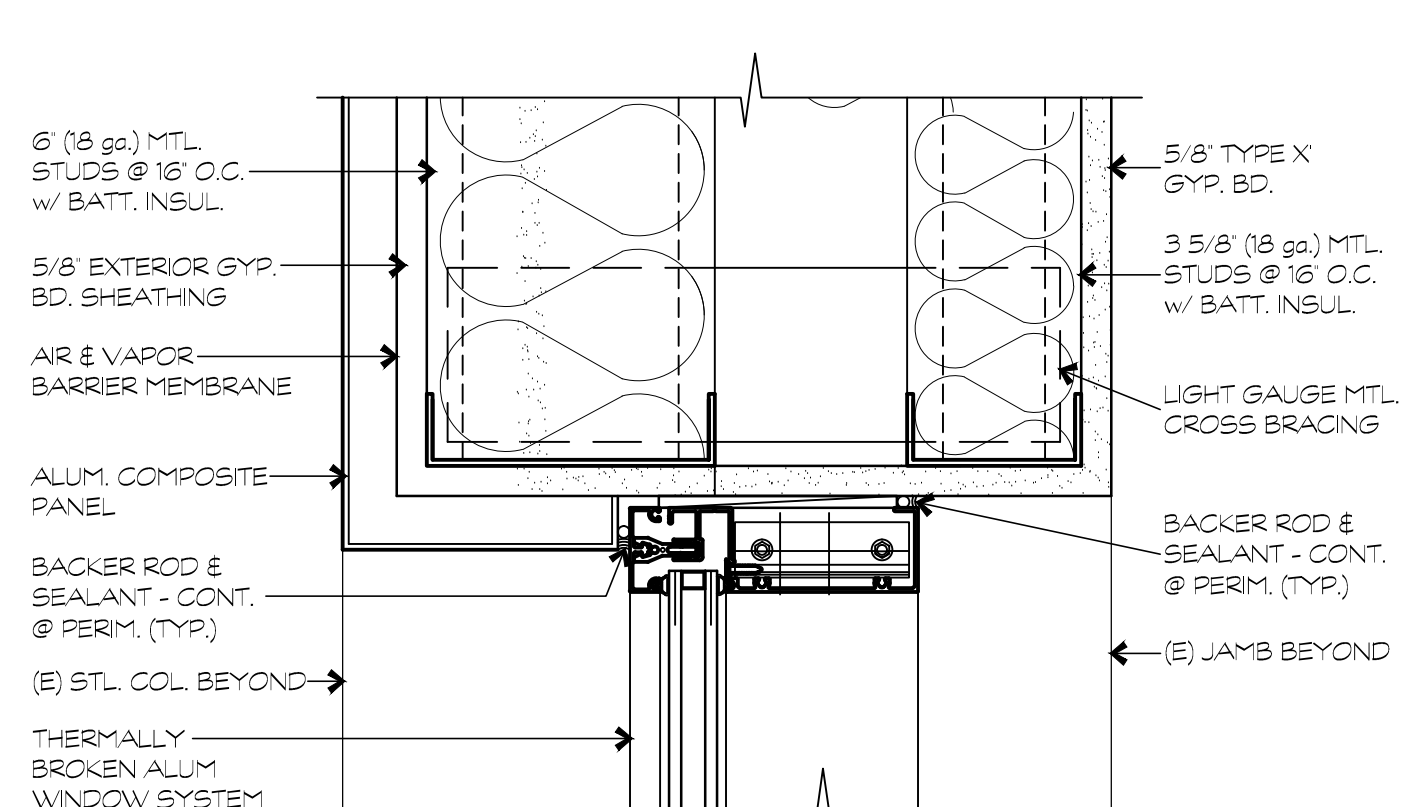
THRESHOLD DETAIL • EXTERIOR WALL/EXP JT (14)
3" = 1'-0" (A2.3)



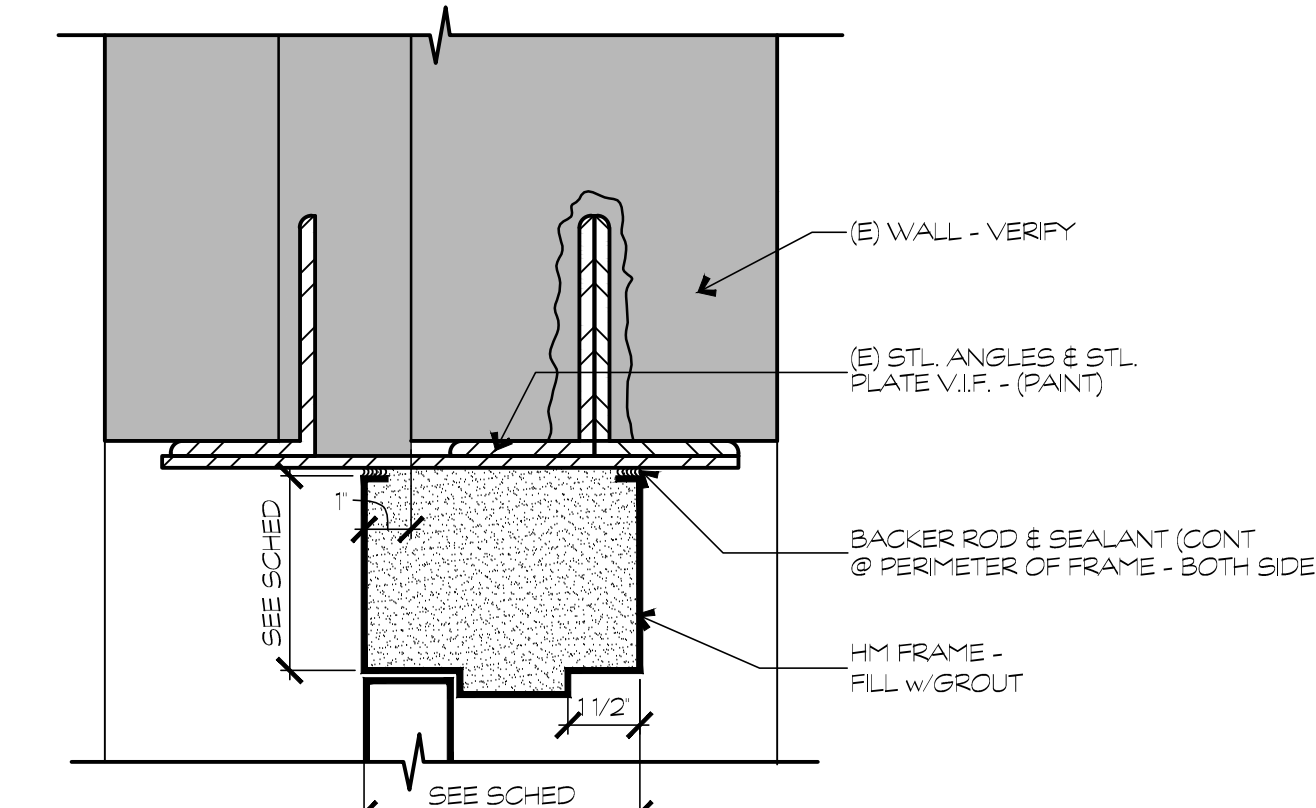
HEAD DETAIL • NEW WINDOW (11)
3" = 1'-0" (A2.3)



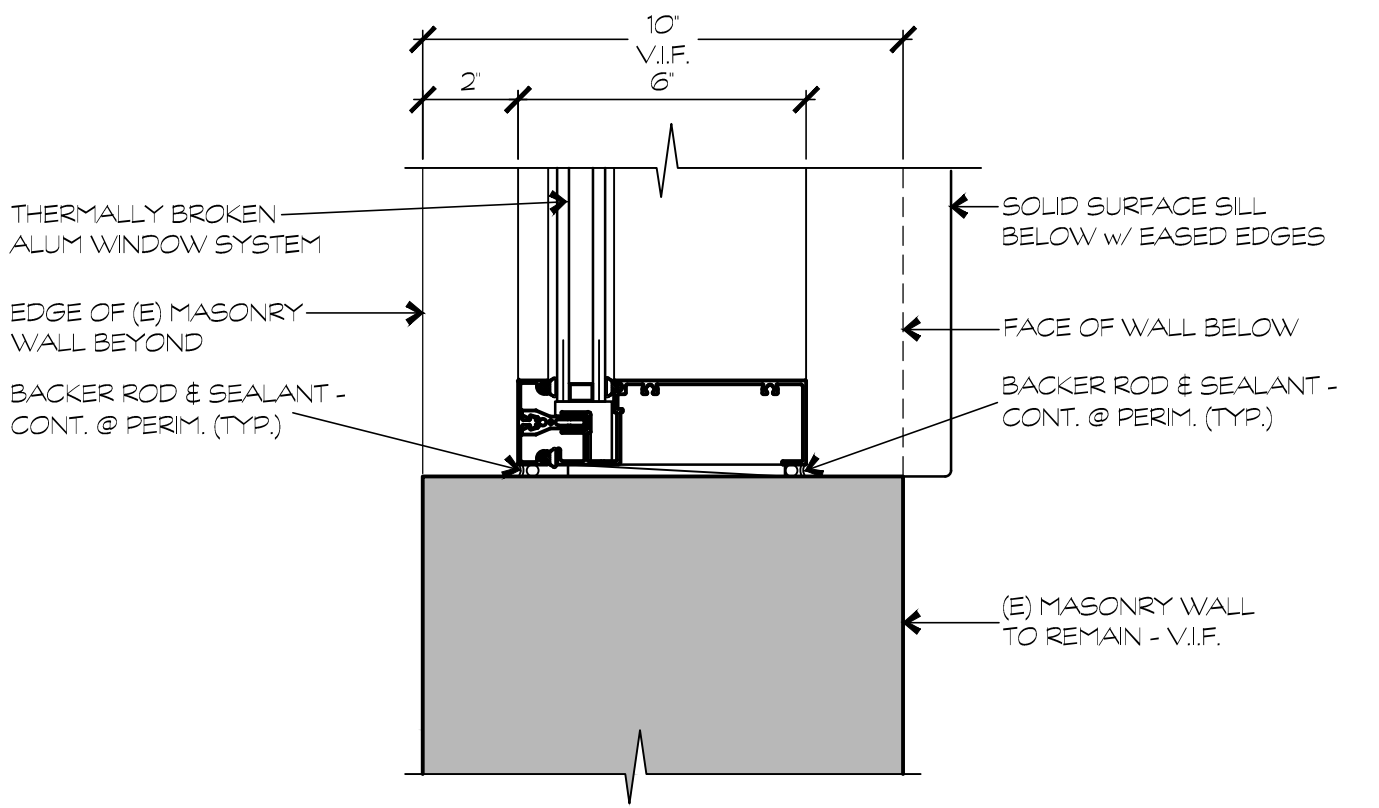
HEAD DETAIL • NEW WINDOW (7)
3" = 1'-0" (A2.3)



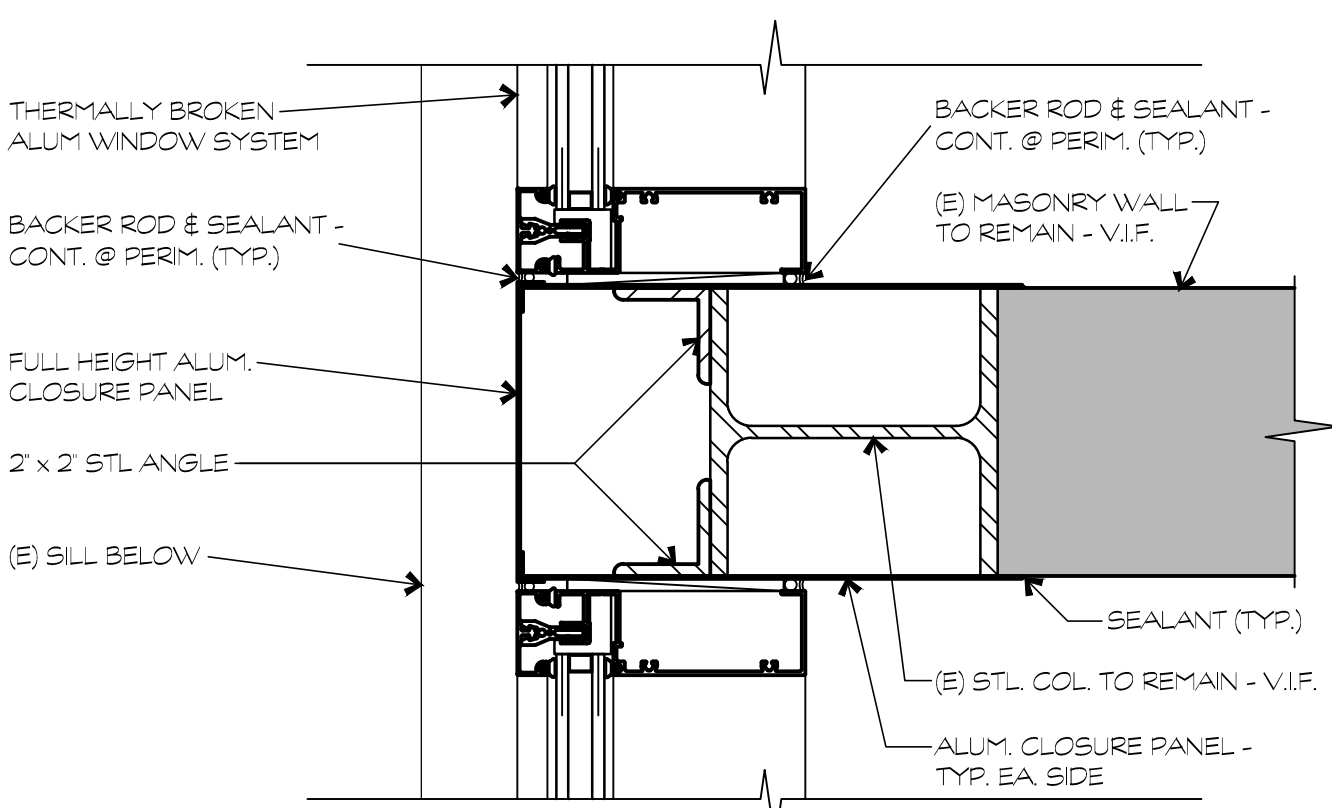
HEAD DETAIL • NEW WINDOW (3)
3" = 1'-0" (A2.3)



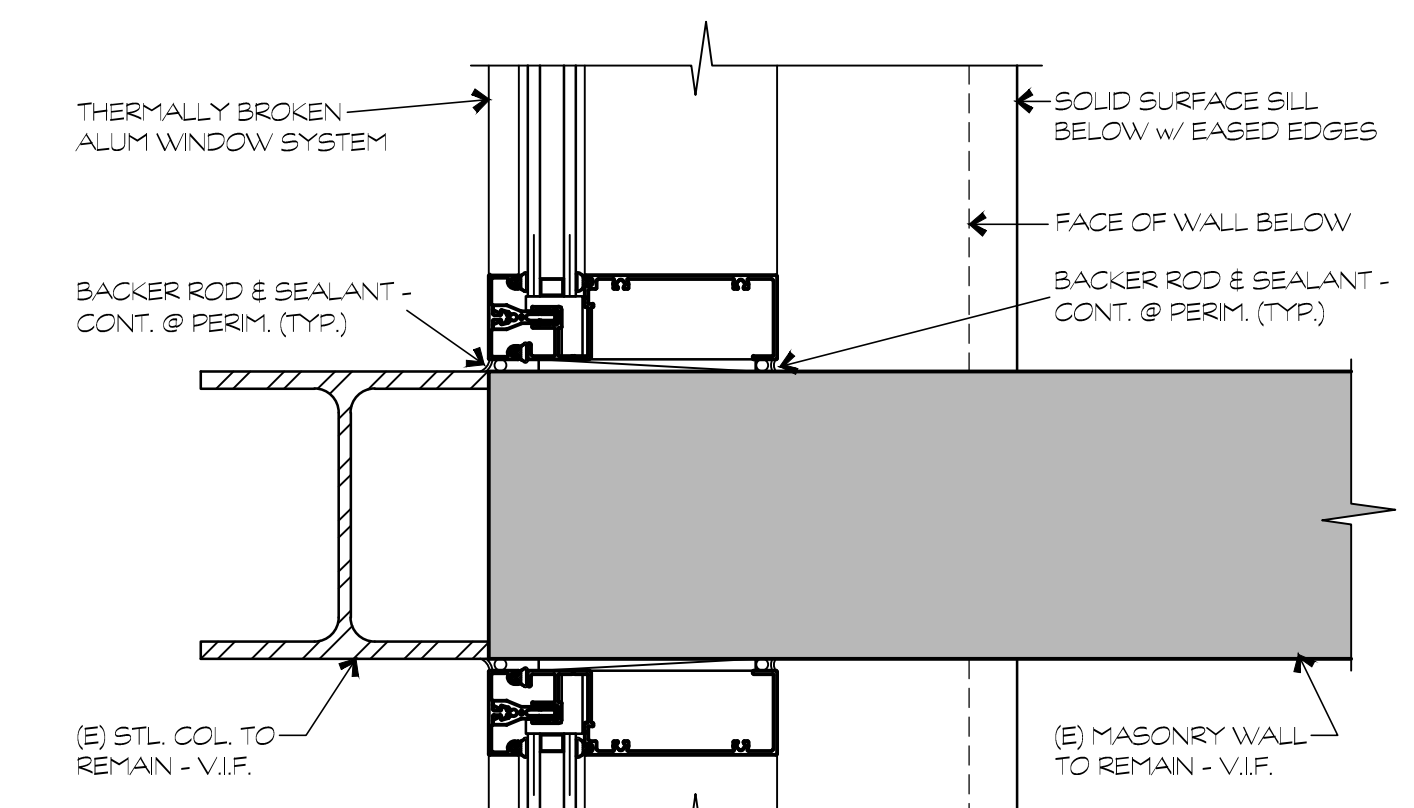
H.M. HEAD DETAIL • EXT. MASONRY WALL (16)
3" = 1'-0" (A2.3)



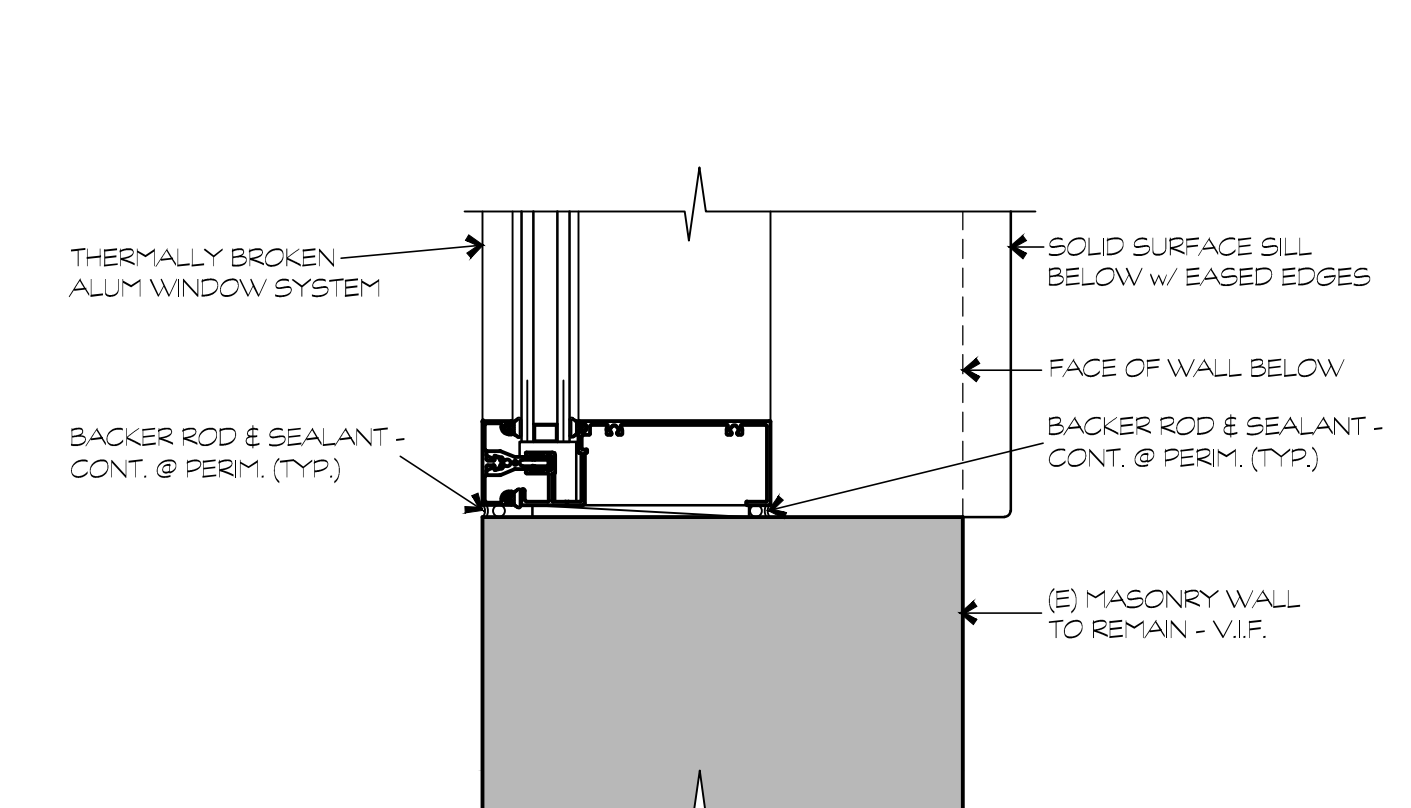
JAMB DETAIL • NEW WINDOW (13)
3" = 1'-0" (A2.3)



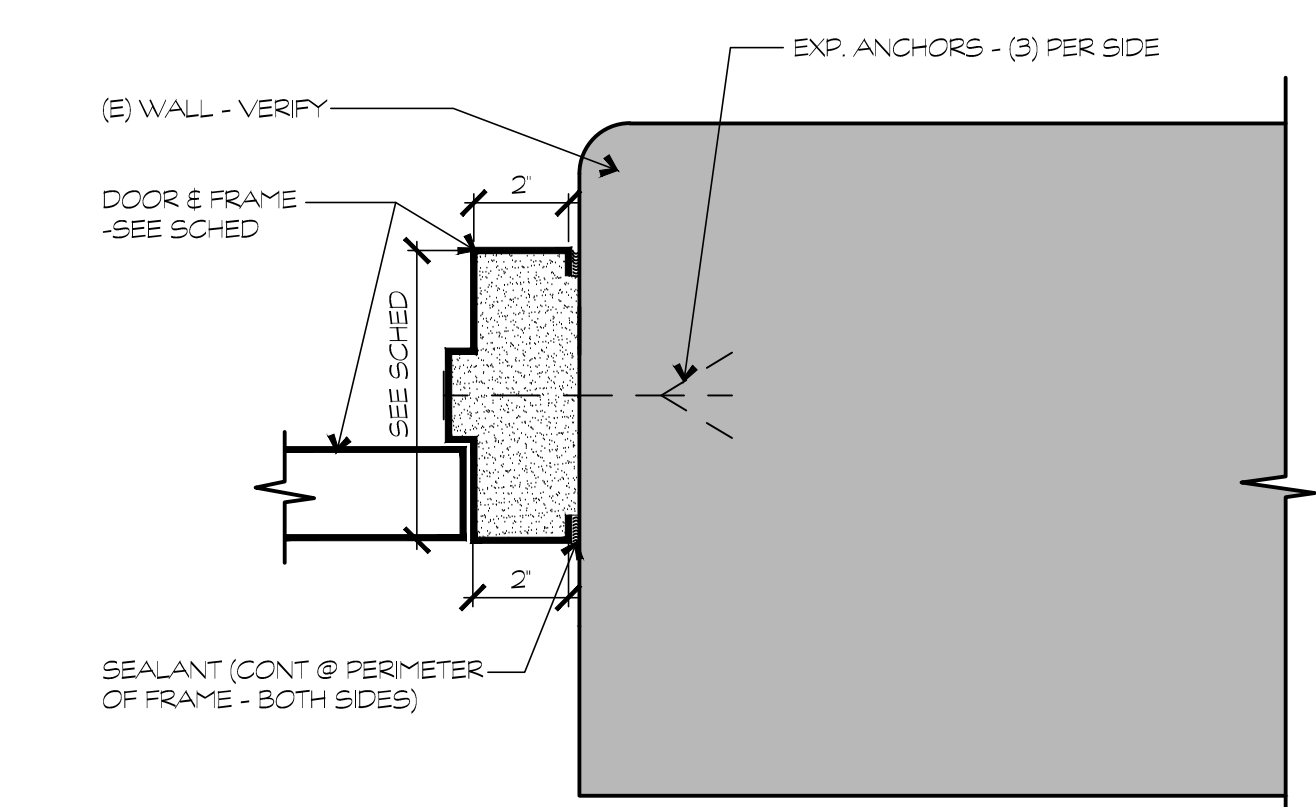
JAMB DETAIL • NEW WINDOW (10)
3" = 1'-0" (A2.3)



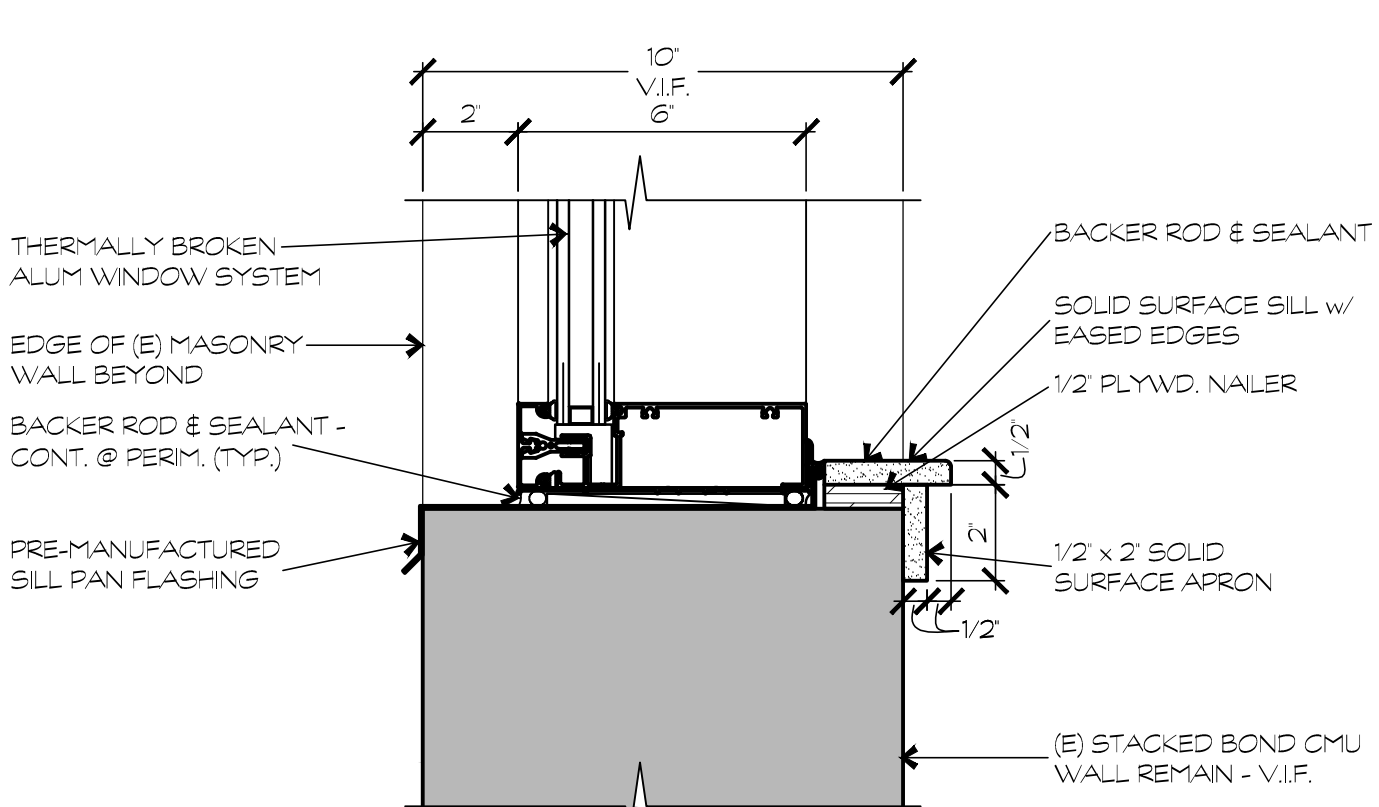
JAMB DETAIL • NEW WINDOW (6)
3" = 1'-0" (A2.3)



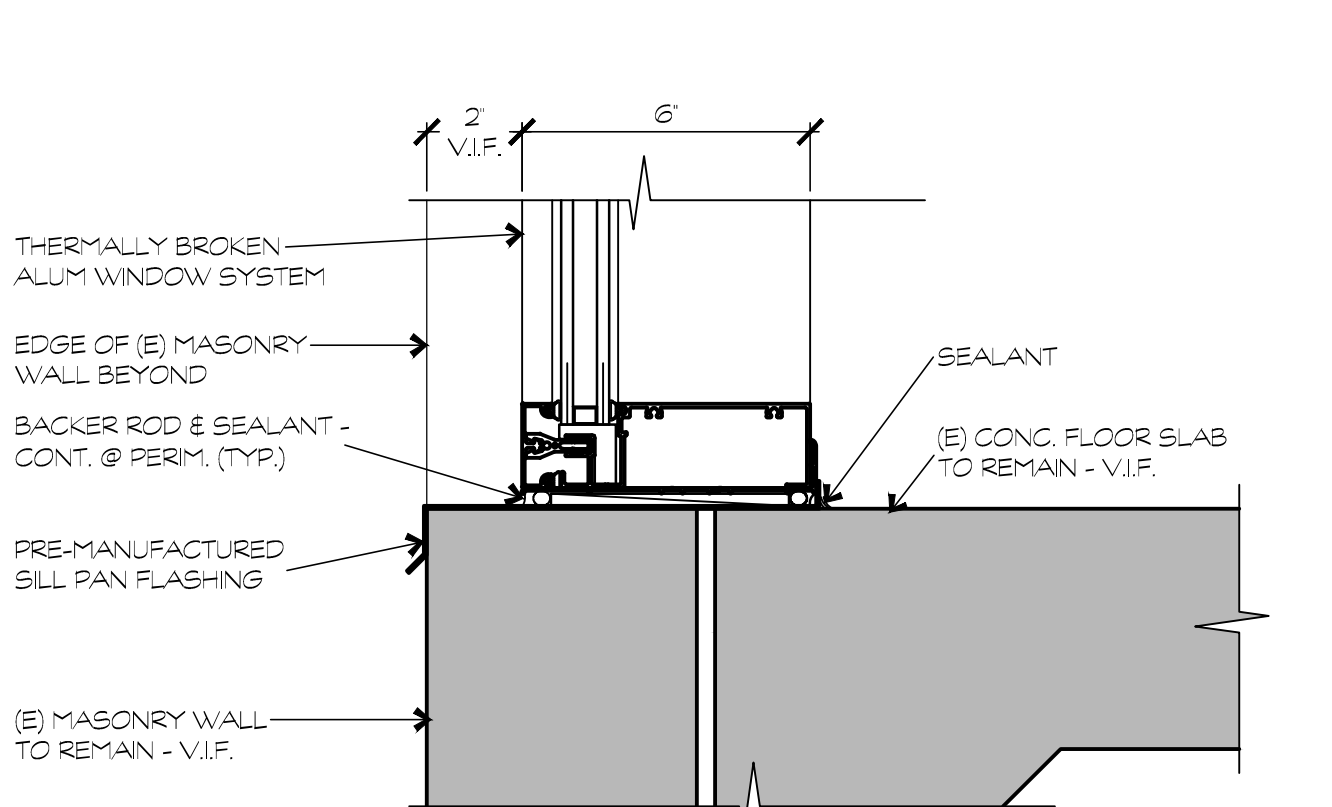
JAMB DETAIL • NEW WINDOW (2)
3" = 1'-0" (A2.3)



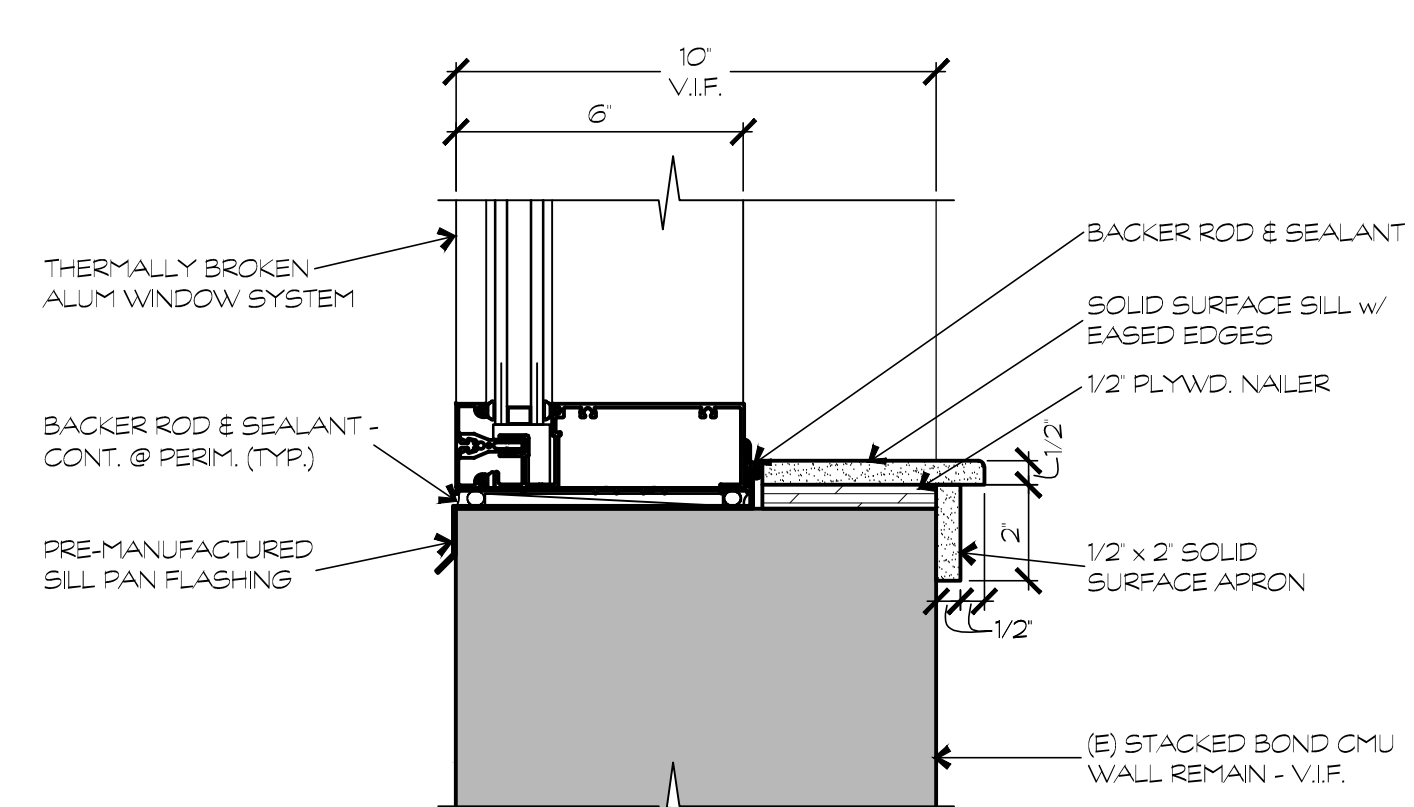
H.M. JAMB DETAIL • EXT. MASONRY WALL (15)
3" = 1'-0" (A2.3)



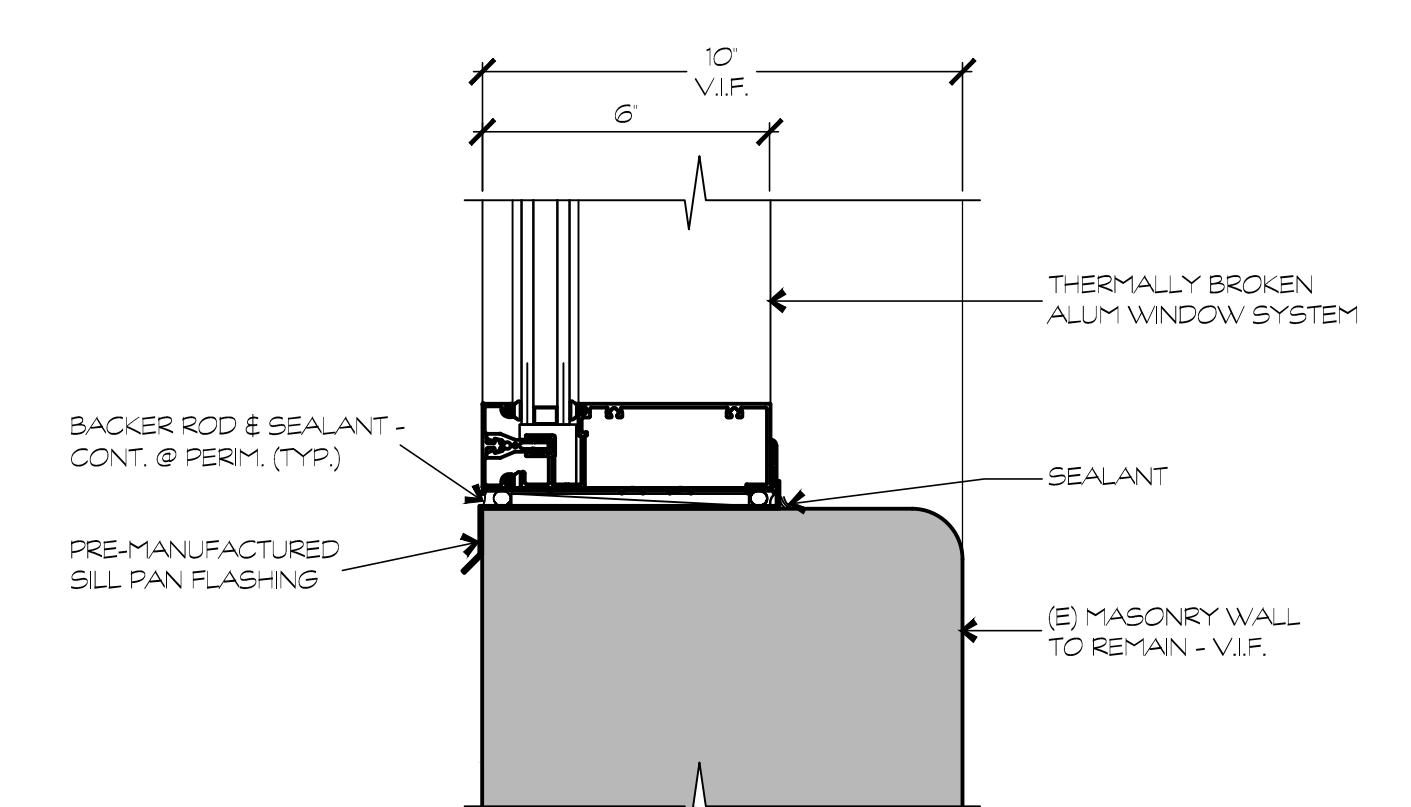
SILL DETAIL • NEW WINDOW (12)
3" = 1'-0" (A2.3)



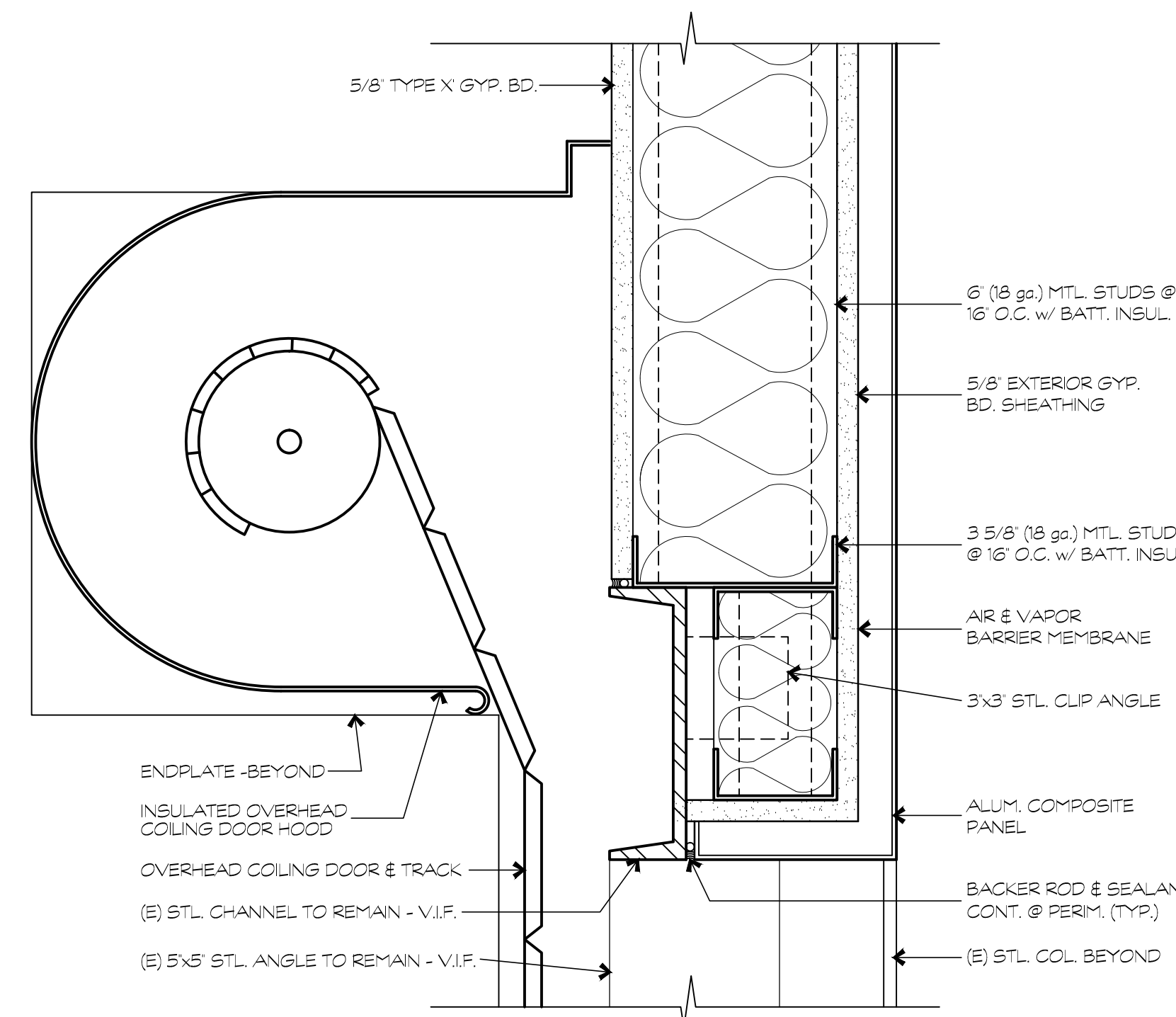
SILL DETAIL • NEW WINDOW (9)
3" = 1'-0" (A2.3)



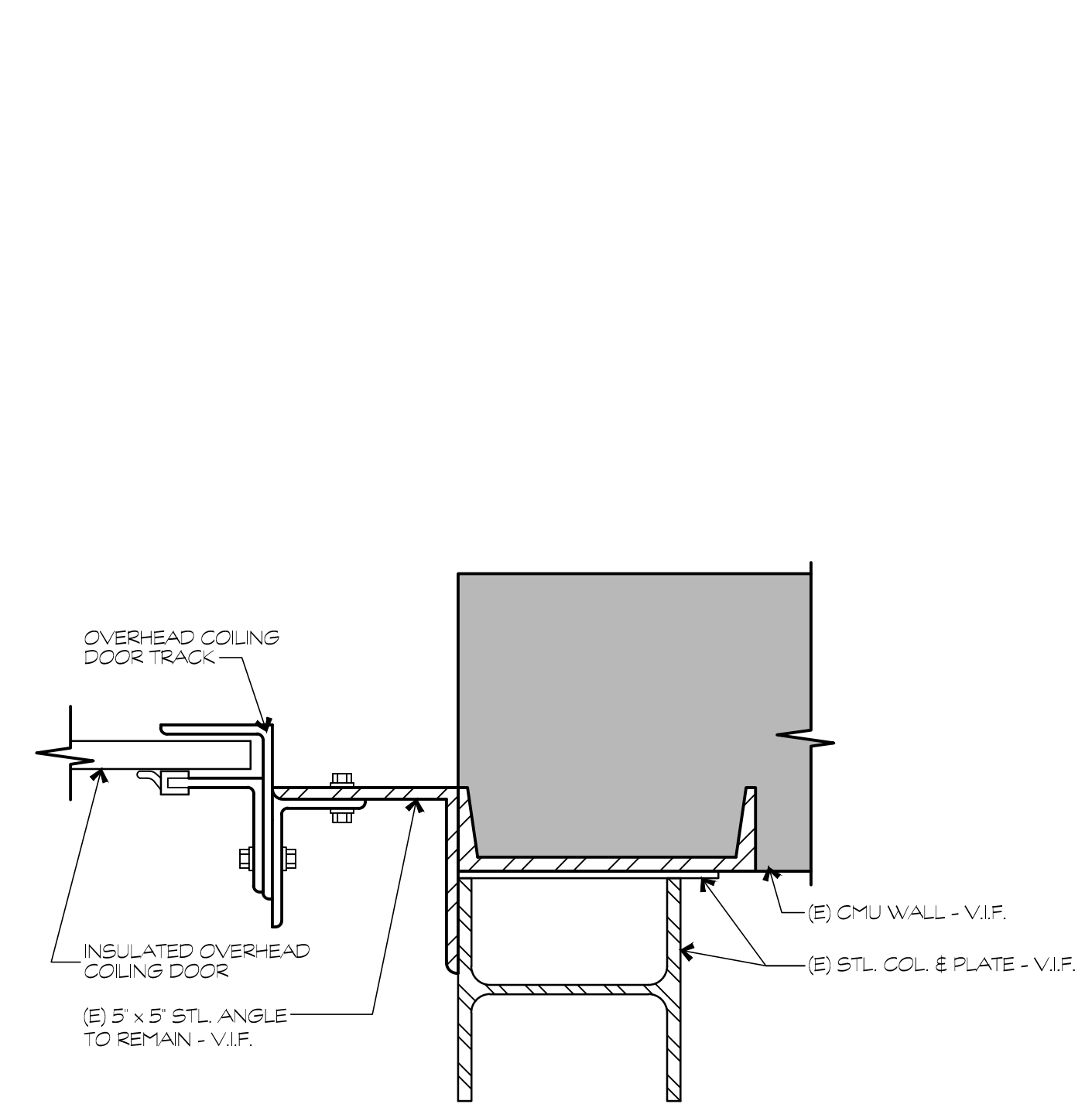
SILL DETAIL • NEW WINDOW (5)
3" = 1'-0" (A2.3)



SILL DETAIL • NEW WINDOW (1)
3" = 1'-0" (A2.3)



HEAD DETAIL • NEW WINDOW (8)
3" = 1'-0" (A2.3)



JAMB DETAIL • OVERHEAD COILING DOOR (4)
3" = 1'-0" (A2.3)

REVISIONS SHALL BE TO INDICATE CHANGES TO THE ORIGINAL DESIGN AND INTENT OF WORK IS PARTIALLY RESPONSIBLE FOR ALL REVISIONS. REVISIONS SHALL BE MADE BY ARCHITECTS INC. CONTRACTOR'S ASSOCIATION OF MARYLAND.

THESE DRAWINGS WERE PREPARED OR APPROVED BY ARCHITECTS INC. IN ACCORDANCE WITH THE LAWS OF THE STATE OF MARYLAND.

BUSHEY FEIGHT MORIN ARCHITECTS INC.
473 North Potomac Street, Hagerstown, MD 21740
301-733-5600 Fax 301-733-5602
Email: BFM@BFMArchitects.com

BFM
WCPFS: BOONSBORO HIGH SCHOOL WINDOW & DOOR REPLACEMENT
BFM# 11071 PSC# 21.001.14SR

WINDOW & DOOR DETAILS
A2.3
1 OF SHEETS
DATE: 1/28/14