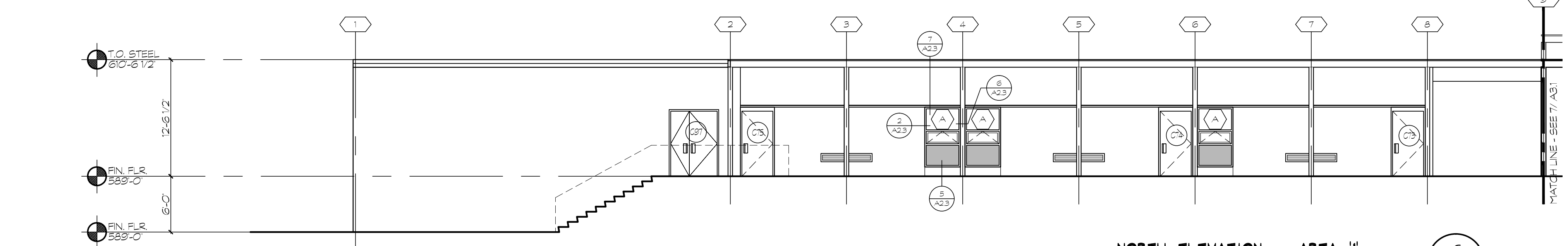
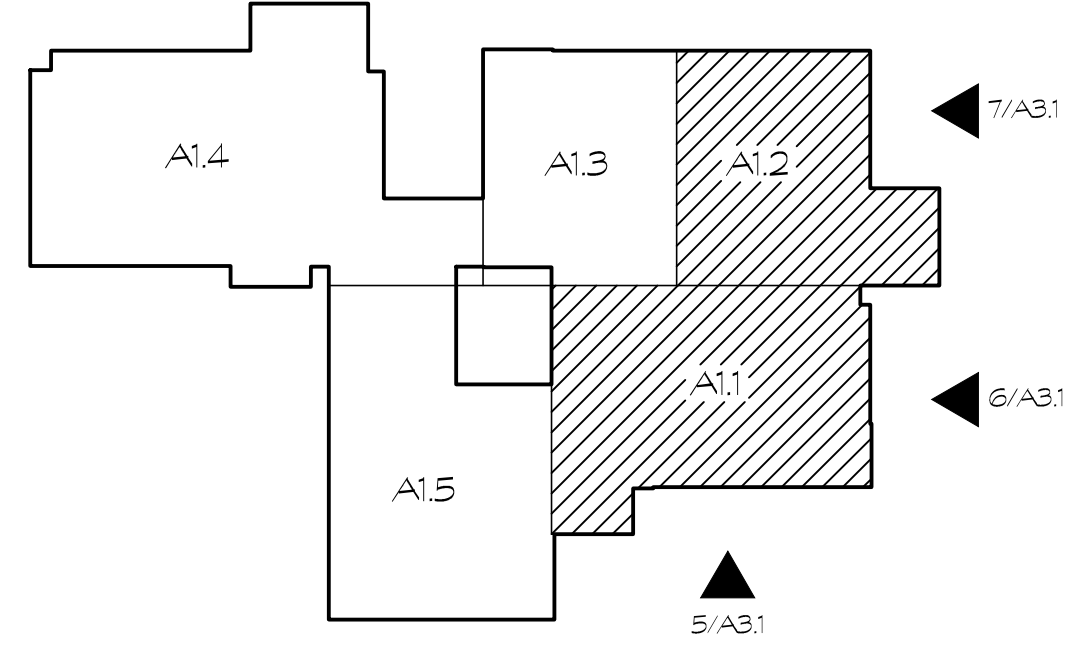


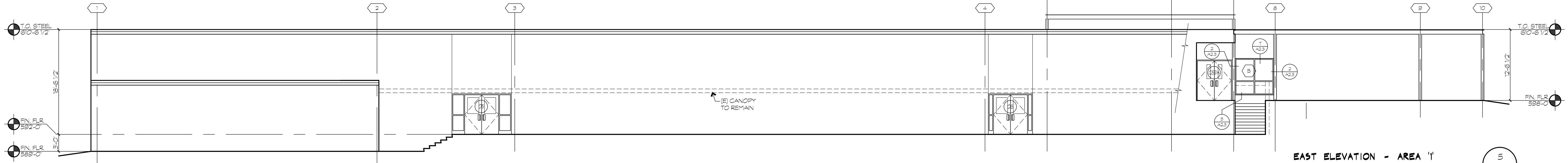
NORTH ELEVATION - AREA 2
1/8" = 1'-0"
A3.1



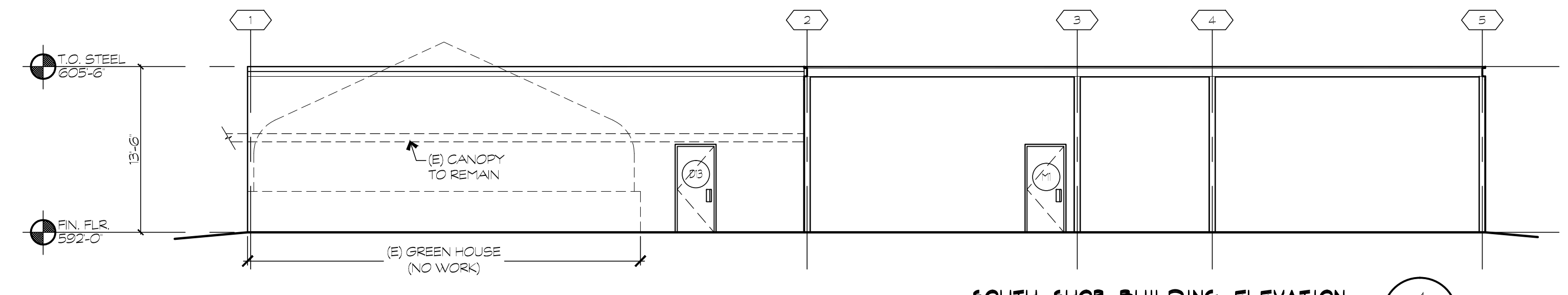
NORTH ELEVATION - AREA 1
1/8" = 1'-0"
A3.1



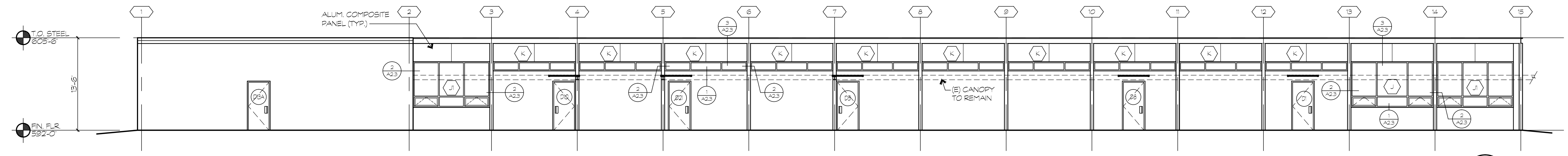
KEY PLAN - MAIN BUILDING
NOT TO SCALE



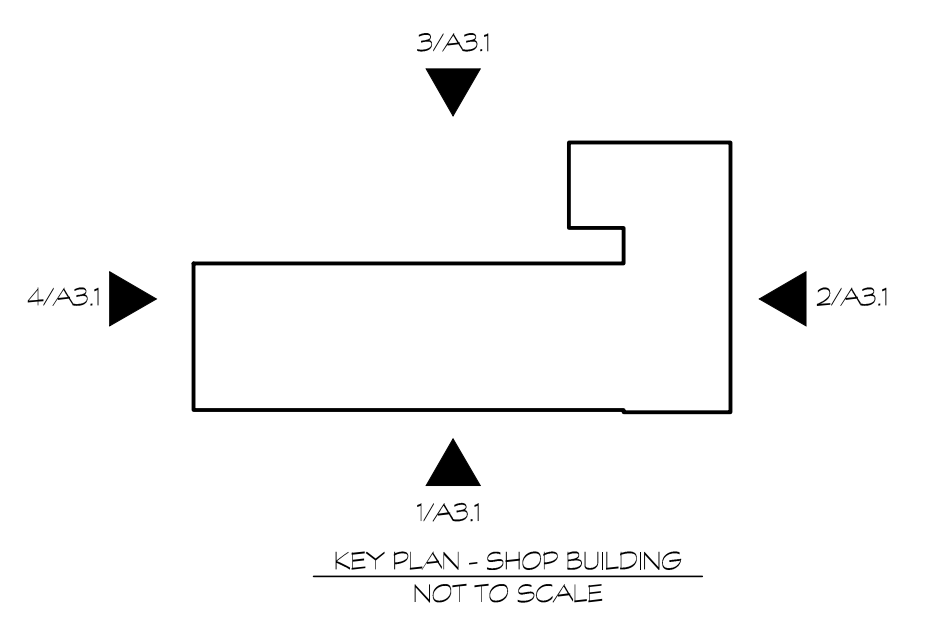
EAST ELEVATION - AREA 1
1/8" = 1'-0"
A3.1



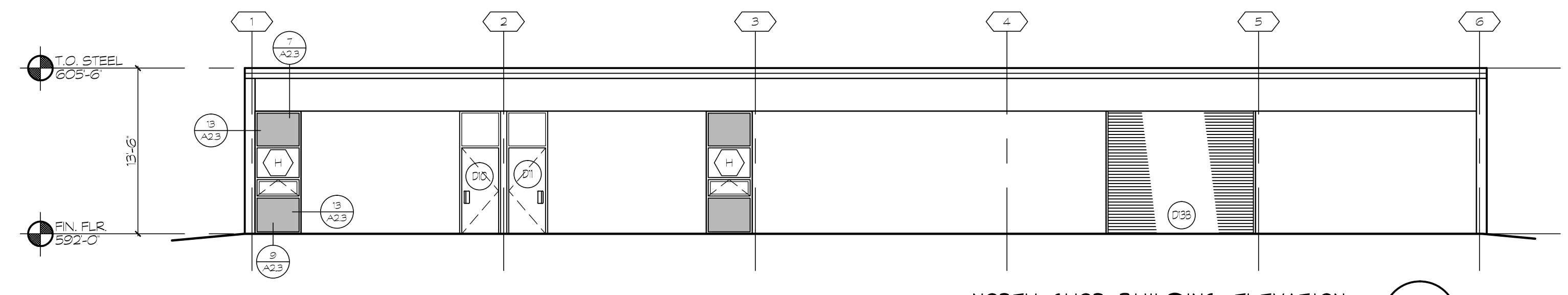
SOUTH SHOP BUILDING ELEVATION
1/8" = 1'-0"
A3.1



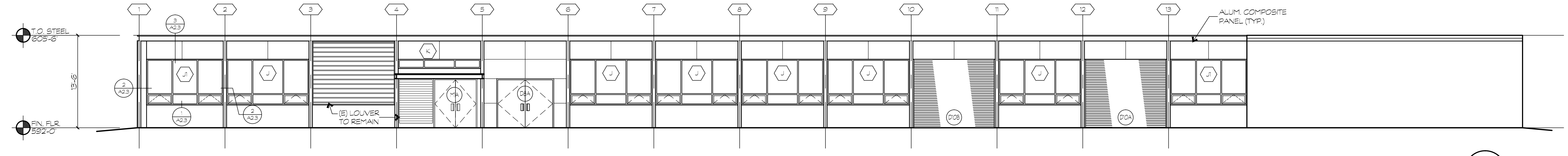
WEST SHOP BUILDING ELEVATION
1/8" = 1'-0"
A3.1



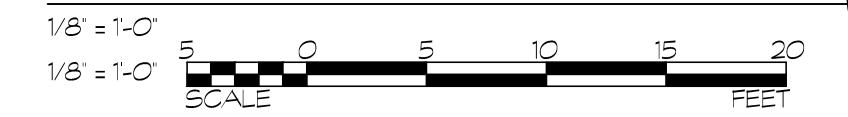
KEY PLAN - SHOP BUILDING
NOT TO SCALE



NORTH SHOP BUILDING ELEVATION
1/8" = 1'-0"
A3.1



EAST SHOP BUILDING ELEVATION
1/8" = 1'-0"
A3.1



DRAWINGS INTENT IS TO INDICATE GENERAL ARRANGEMENT, DESIGN AND DIMENSIONS. THEY SHALL NOT BE SCALED FOR CONSTRUCTION OR FABRICATION. SHOP DRAWINGS OR SPECIFICATIONS SHALL BE OBTAINED FROM THE ASSOCIATION OF DIMENSIONERS.

GROUPS THAT THESE DOCUMENTS WERE PREPARED OR APPROVED BY ARE NOT TO BE HELD RESPONSIBLE UNDER THE LAWS OF THE STATE OF MARYLAND. LICENSE NO. 8878 BOB BISHOP DATE 09/20/14

BUSHEY FEIGHT MORIN ARCHITECTS INC.
473 North Potomac Street, Hagerstown, Md 21740
301-733-5600 Fax 301-733-5612
Email: BFM@BFM-Architects.com

BFM
BUSHEY FEIGHT MORIN ARCHITECTS INC.
BPM# 11071 WCP# BOONSBORO HIGH SCHOOL
PSC# 2100114SR

BLDG. ELEV'S
NEW WORK
A3.1
1 OF SHEETS
DATE: 1/28/14