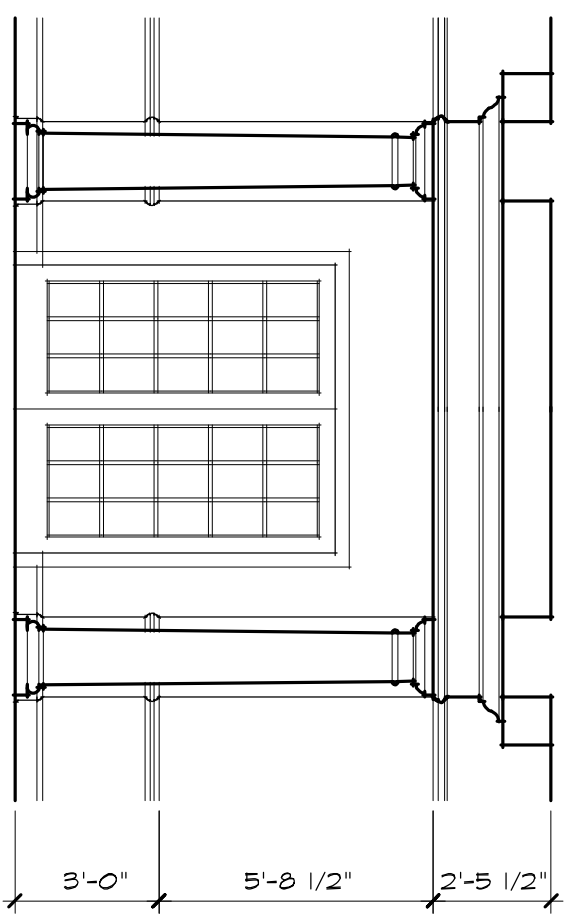


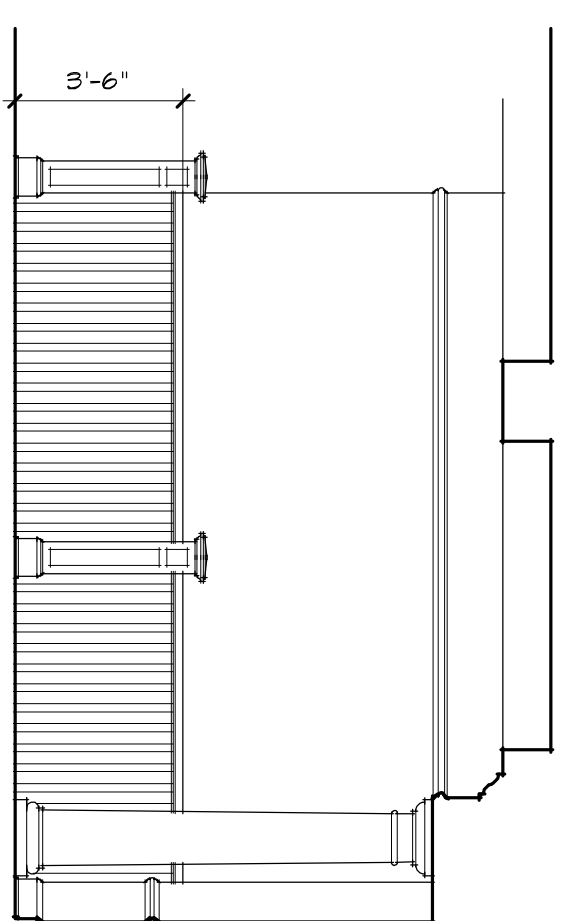
1 INT. ELEV. - POTOMAC ROOM

1/4"=1'-0"



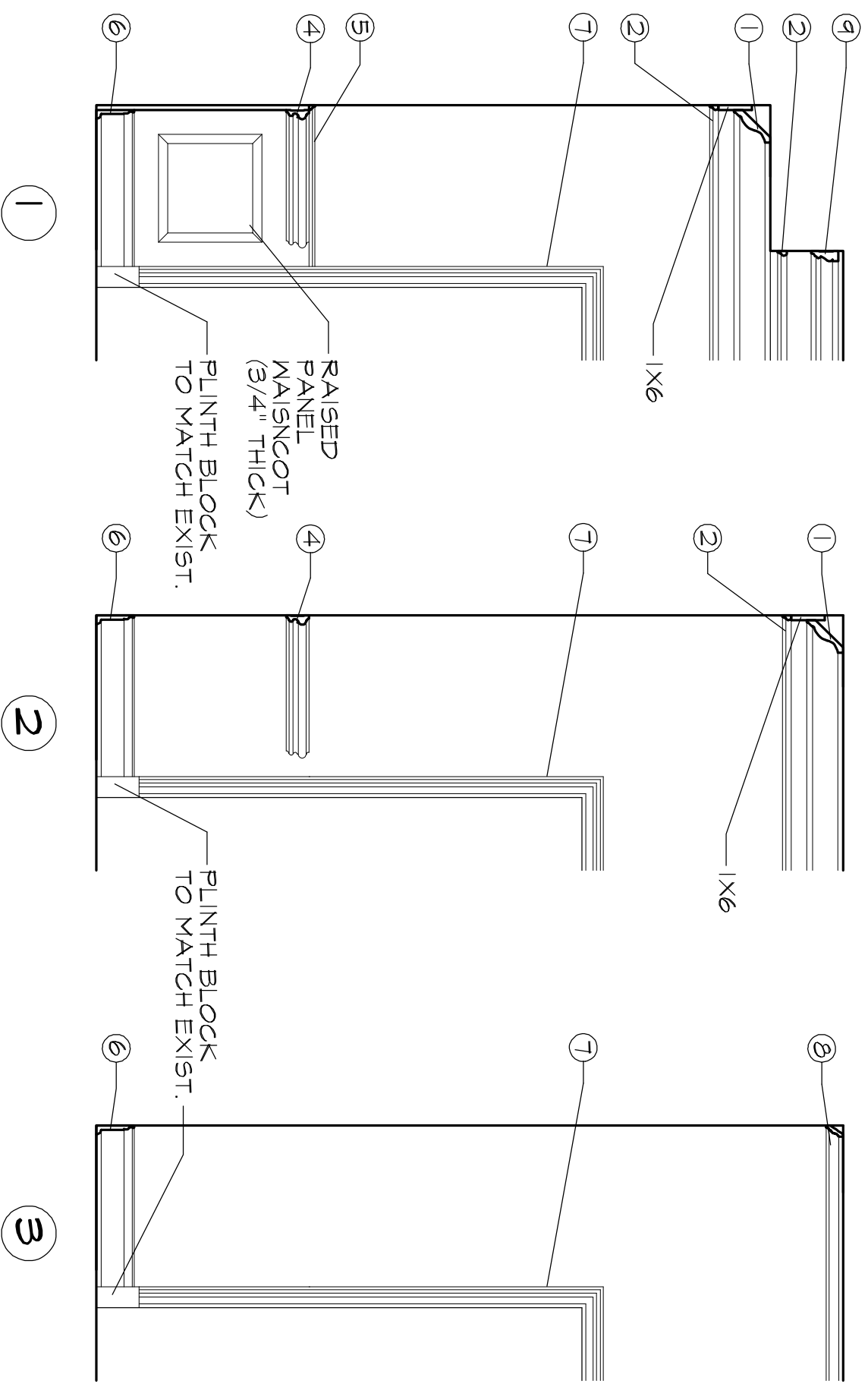
2 INT. ELEV. - MAIN LOBBY

1/4"=1'-0"



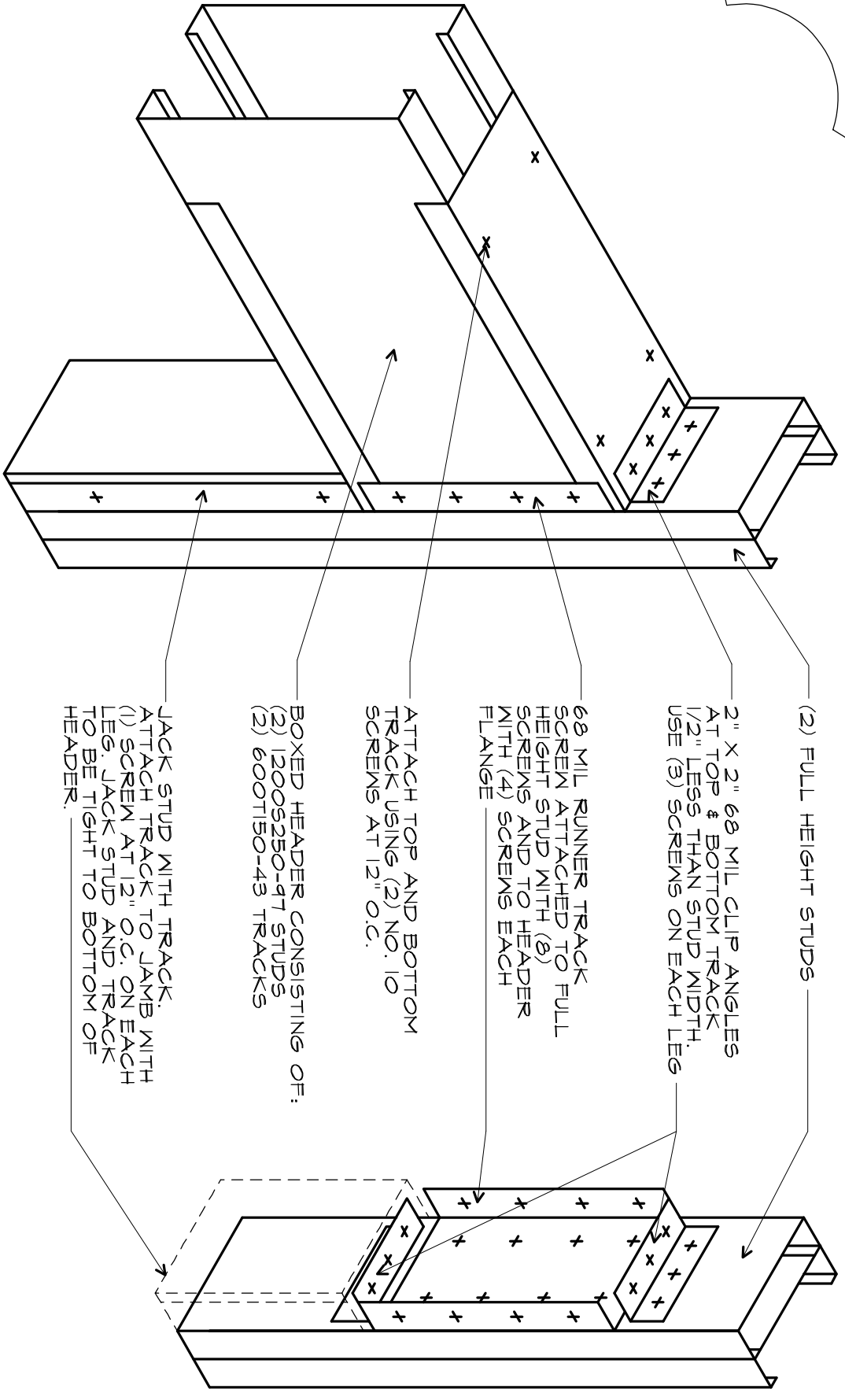
3 INT. ELEV. - MAIN LOBBY

1/4"=1'-0"



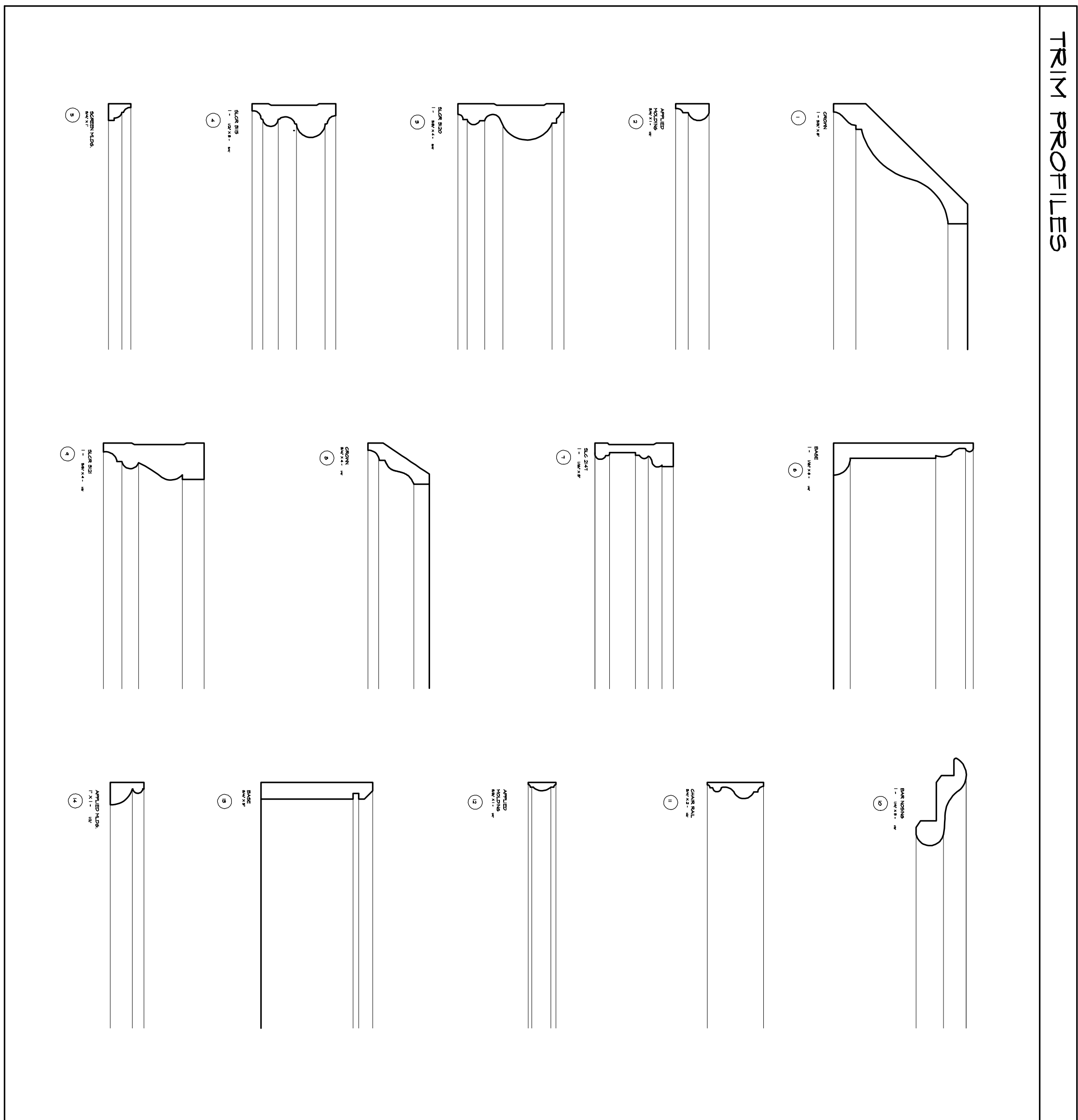
4 TRIM SETS

NTS



5 BOXED HEADER DETAIL

NTS



TRIM PROFILES

CLUBHOUSE RENOVATION
REGENCY
 AT DOMINION VALLEY, HAYMARKET, VA

ATWOOD HENNINGSEN KESTNER ARCHITECTS INC.
 1108 EAST HIGH STREET
 CHARLOTTESVILLE, VA 22902
 PHONE (434) 971-7202 FAX (434) 295-2413

NO.	DATE	DRAWING RELEASE
1	11-11-13	BID SET
2	12-11-13	PERMIT SET
NO.	DATE	REVISION
1	1-7-14	PERMIT & MISC. REVISIONS

INTERIOR ELEVATIONS & DETAILS	
JOB NUMBER 1216	FILE NO. 1216-AS01

A.3.01

SEAL