

# LUCEN™ 2X2

Project Name \_\_\_\_\_

Date \_\_\_\_\_

Catalog Number \_\_\_\_\_

Type \_\_\_\_\_

T5, T8 and Biax Architectural Recessed



Patent No: D671,258



**CONSTRUCTION** Prepainted formed 22 gauge cold rolled steel housing. Highly reflective die-formed white painted reflector. Wiring access available on both sides and top of housing.

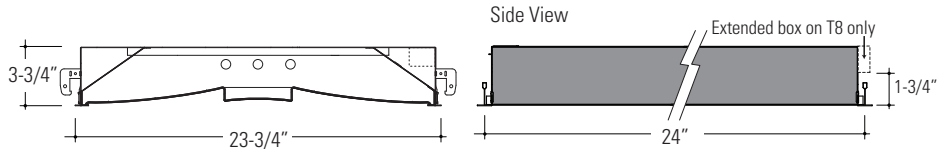
**OPTICS** Single piece extruded acrylic lens with convex wings and articulated center spine creating a fully luminous housing with optimal glare control. High reflective white reflectors maintain uniform lens brightness.

**ELECTRICAL** T5, T5HO: Program start 120/277 volt integral electronic ballast with less than 10% THD. Standard 55W Biax: Program start 120/277 volt integral electronic ballast with less than 15% THD. Standard 25W and 40W Biax: Instant start 120/277 volt electronic ballast with less than 10% THD. T8: Instant start 120/277V electronic ballast with less than 10% THD. Standard single circuit. Each ballast provided with disconnects to meet luminaire disconnect code requirement.

**MOUNTING** Lucen™ is designed to install into acoustical grid and inaccessible ceilings. Specify G1, G9 or GS for acoustical grid ceiling. Specify FL for inaccessible ceilings. Consult factory for detailed installation instructions.

**FINISH** Prepainted white polyester polymer finish on exposed trim. Optional Paint After Fabrication available if specified.

**LABELS** UL and cUL Listed, approved for dry/damp location unless otherwise noted.



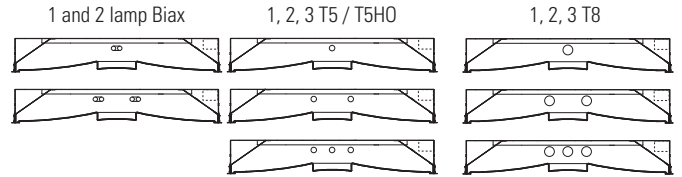
Shielding Options



Satin Lens (A)

White Trim (W)

Silver Trim (S)



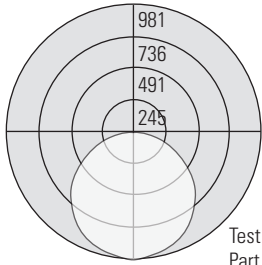
## LUMINAIRE SPECIFICATION

Sample Catalog #: LU22A-2T5HO-G1-120-1C-W

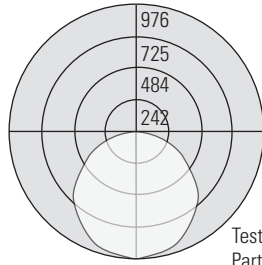
HOUSING	LAMPS	MOUNTING <sup>1</sup>	VOLTAGE	CIRCUITING	FINISH	OPTIONS
<b>LU22A-</b> Lucen™ 2x2 Recessed, Satin Lens  <b>LU22W-</b> Lucen™ 2x2 Recessed, Satin Lens with white trim  <b>LU22S-</b> Lucen™ 2x2 Recessed, Satin Lens with silver trim	<b>1BX25-</b> (1) 25W Biax <b>2BX25-</b> (2) 25W Biax <b>1BX40-</b> (1) 40W Biax <b>2BX40-</b> (2) 40W Biax <b>1BX55-</b> (1) 55W Biax <b>2BX55-</b> (2) 55W Biax <b>1T5-</b> (1) 14W T5 <b>2T5-</b> (2) 14W T5 <b>3T5-</b> (3) 14W T5 <b>1T5HO</b> (1) 24W T5HO <b>2T5HO-</b> (2) 24W T5HO <b>3T5HO-</b> (3) 24W T5HO <b>1T8-</b> (1) 17W T8 <b>2T8-</b> (2) 17W T8 <b>3T8-</b> (3) 17W T8	<b>Acoustical Grid Ceiling</b> <b>G1-</b> 1" Ceiling Grid <b>G9-</b> 9/16" Ceiling Grid <b>GS-</b> Screw Slot Ceiling Grid  <b>Inaccessible Ceiling</b> <b>FL-</b> Standard Flange (separate flange kit)	<b>120-</b> 120 V <b>277-</b> 277 V <b>347-</b> 347 V <sup>2,3</sup> <b>UNV</b> <sup>3</sup> (120/277)	<b>1C-</b> Single Circuit <b>2C-</b> Dual Circuit <sup>4,6</sup> <b>1D-</b> Single Circuit Dimming <sup>6</sup> <b>2D-</b> Dual Circuit Dimming <sup>4,6</sup> <b>1B-</b> Single Circuit with Battery Pack <sup>5,6</sup> <b>2B-</b> Dual Circuit with Battery Pack <sup>4,5,6</sup> <b>1E-</b> Single Circuit with Emergency Circuit <sup>5,6</sup>	<b>W-</b> Matte White	<b>QS-</b> Quick Ship <sup>7</sup> <b>TW-</b> Through-Wired <sup>9</sup> <b>SW-</b> Step Switching (T5, T8) <sup>6</sup> <b>GLR-</b> Internal Fast-Blow Fuse <b>CP-</b> Chicago Plenum <b>FW6-</b> 6', 18-gauge, Flex Whip <b>FW12-</b> 12', 18-gauge, Flex Whip <b>AM-</b> Antimicrobial Paint <b>SI-</b> Seismic Clips <b>PAF-</b> Paint after Fabrication <b>DSM-</b> Daylight Sensor Master - Sensor included <sup>6,9</sup> <b>DSS-</b> Daylight Sensor Satellite - Sensor not included <sup>6,9</sup>

<sup>1</sup>See back page for mounting detail. <sup>2</sup>Consult factory for 347 volt ballast. <sup>3</sup>Not available for use with a battery pack. <sup>4</sup>Dual circuit available for 2 (side-by-side) and 3 (inboard/outboard) lamp configurations.

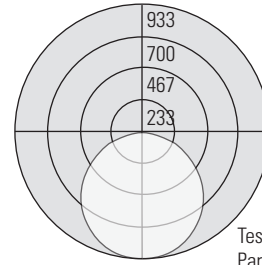
<sup>5</sup>Emergency circuit or battery pack to be on center lamp with 3 lamp configurations. <sup>6</sup>Some Lucen™ configurations will not accommodate all options. Consult factory. <sup>7</sup>Quick Ship includes satin lens (LU22A), universal voltage, white finish, single (1C) and dual circuit (2C). <sup>8</sup>Individual fixtures are through-wired for continuous pattern. Fixtures cannot be joined. <sup>9</sup>See back page for ordering information. Requires 0-10 volt dimming.



Test # 204530  
Part # LU22A-2T5HO  
Total Luminaire Efficiency: 80%



Test # 204560  
Part # LU22W-2T5HO  
Total Luminaire Efficiency: 77%



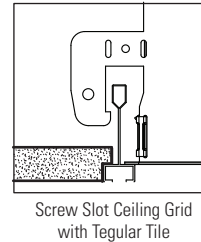
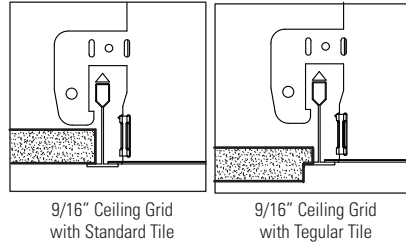
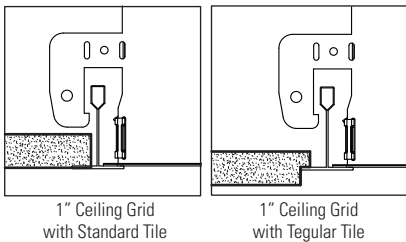
Test # 204590  
Part # LU22S-2T5HO  
Total Luminaire Efficiency: 75%

FEATURES AND OPTIONS

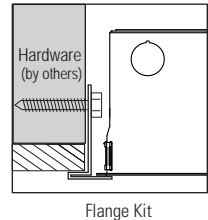
• MOUNTING DETAIL

Lucen is offered with a universal flange for all grid types. See below for fixture placement in relation to the tile for each grid type. For hard ceiling surfaces, specify FL for separate flange kit.

Grid Ceiling



Inaccessible Ceiling



• INTEGRAL DAYLIGHT SENSOR

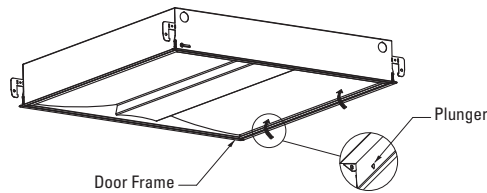


**APPLICATION:** Daylight sensor is a turn key solution for lighting control. Integral sensor is wired to the 0-10 volt dimming ballast at the factory. No additional wiring is required by the contractor.

**DAYLIGHT SENSOR:** Daylight sensor dims lights based on electric light and presence of daylight. Sensor can control up to 20 dimming ballasts. Sensor is factory calibrated to 45 footcandles (fc), adjustable by 1/3 to 3 times the default setting by rotating the aperture.

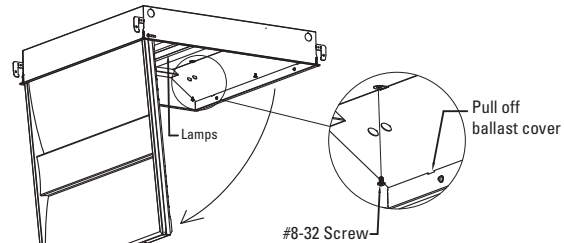
**ORDERING INFORMATION:** Specify "DSM" or "DSS" in the Options section of the part number when ordering Integral Daylight Sensor. Daylight Sensor Master (DSM) includes the fixture with sensor and dimming ballast. Controls DSS units. Daylight Sensor Satellite (DSS) includes the fixture with a sensor compatible dimming ballast only. Must be used in conjunction with a DSM unit. (0-10v) dimming must be utilized. (Sample Catalog #: LU22A-1T5-G1-120-1D-W-DSM)

• LAMP MAINTENANCE

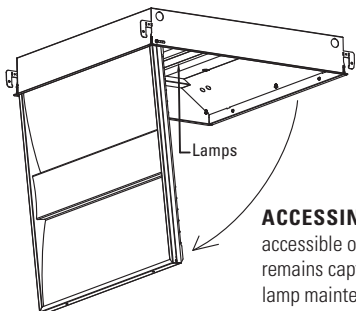


**OPENING THE LENS:** Push lens up to locate plungers. Plungers are above the lens on the inside of the fixture. Depress both plunger heads with fingers and simultaneously pull door frame down.

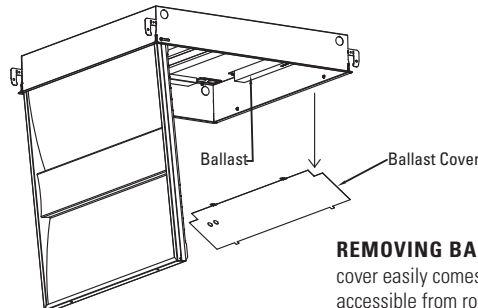
• BALLAST MAINTENANCE



**REMOVING BALLAST SCREWS:** Remove screw holding the ballast cover to fixture.



**ACCESSING THE LAMPS:** Lamps are accessible once lens is open. Door frame remains captive to fixture housing during lamp maintenance.



**REMOVING BALLAST TRAY:** Ballast cover easily comes off. Ballast is now accessible from room side of fixture.