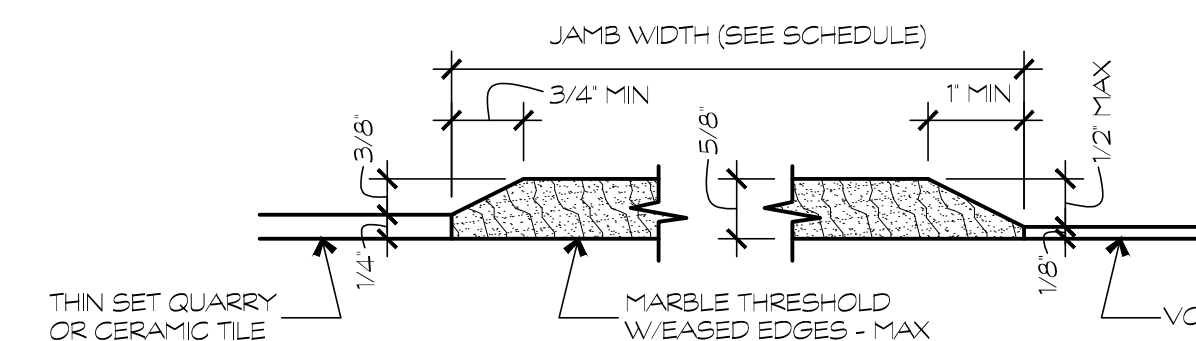


**CURTAINWALL HEAD DETAIL**

3" = 1'-0"

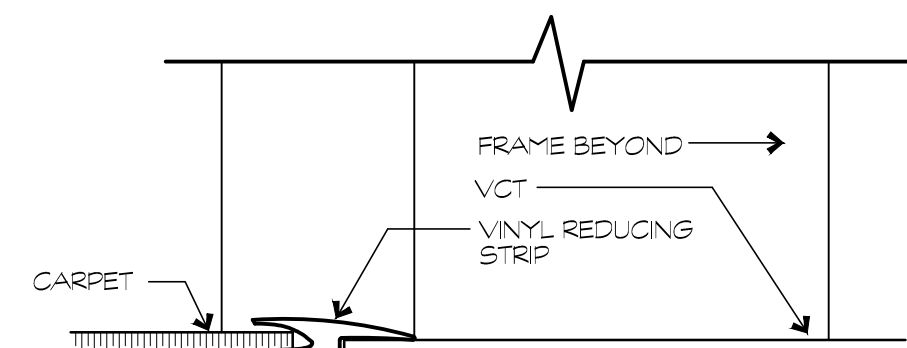
15  
A2.3



**THRESHOLD DETAIL • THINSET TILE + VCT**

NO SCALE

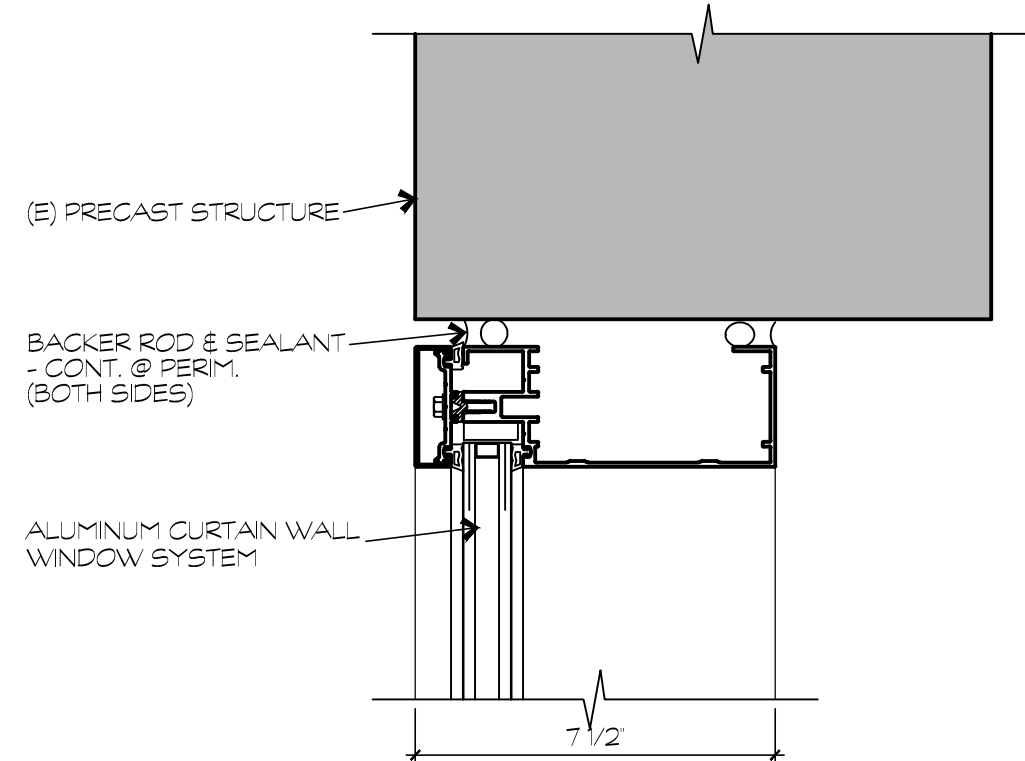
12  
A2.3



**THRESHOLD DETAIL • CARPET/ VCT**

NO SCALE

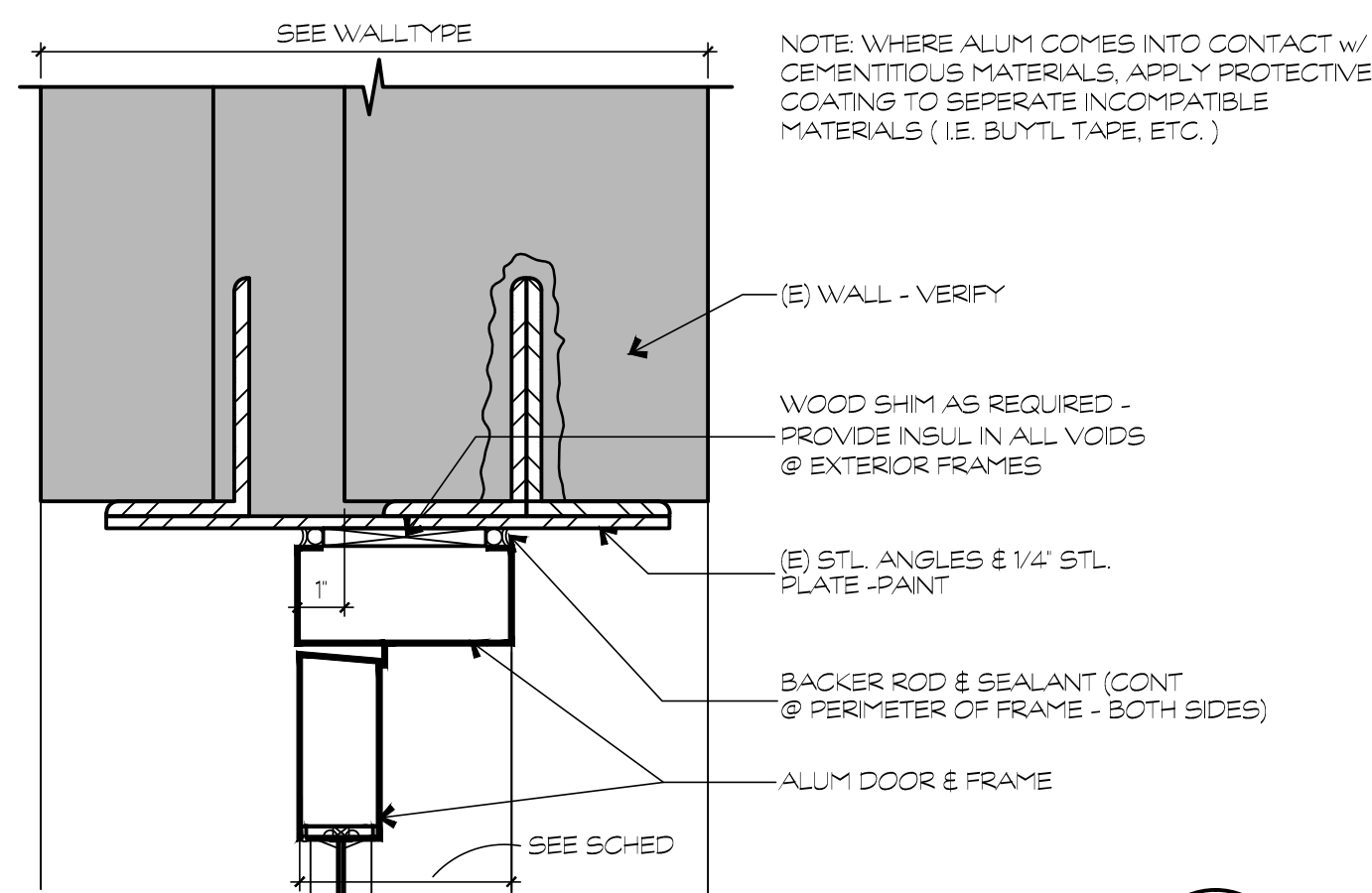
11  
A2.3



**CURTAINWALL JAMB DETAIL**

3" = 1'-0"

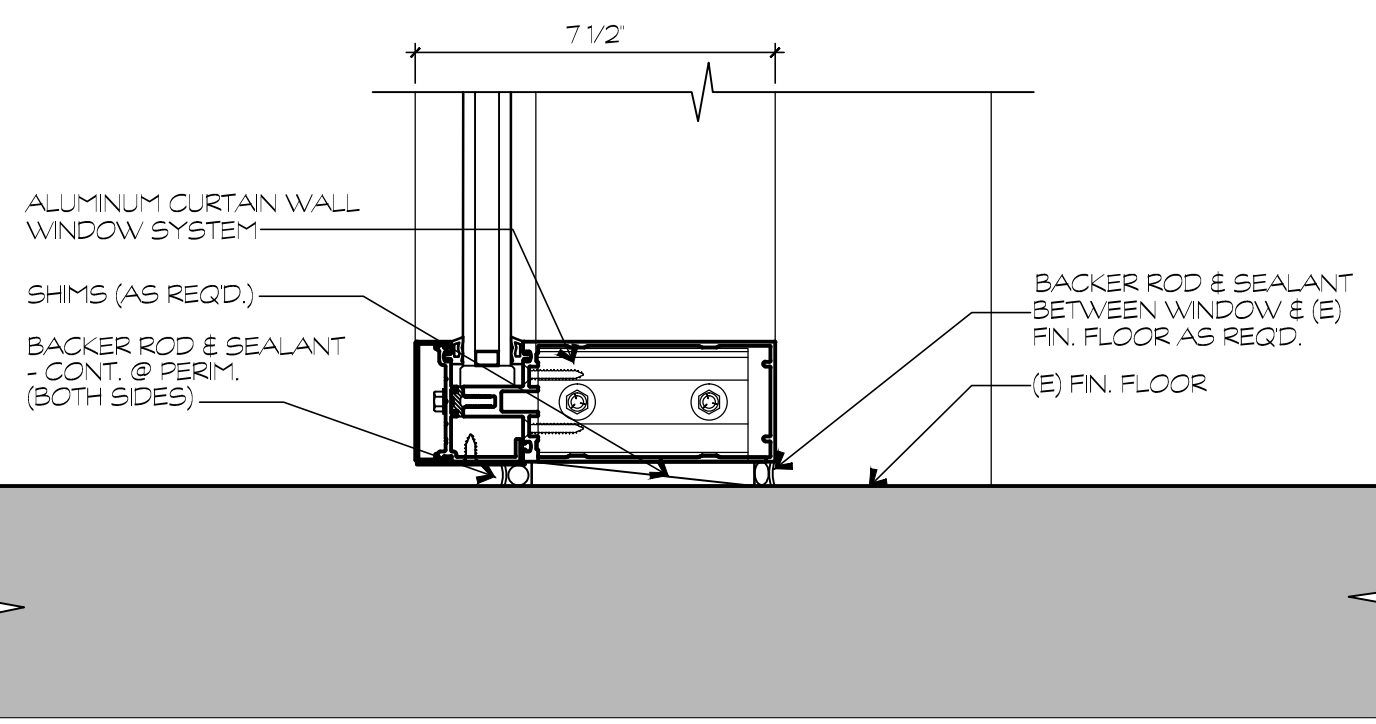
14  
A2.3



**ALUM HEAD DTL. • (E) EXTERIOR MASONRY OPNG.**

3" = 1'-0"

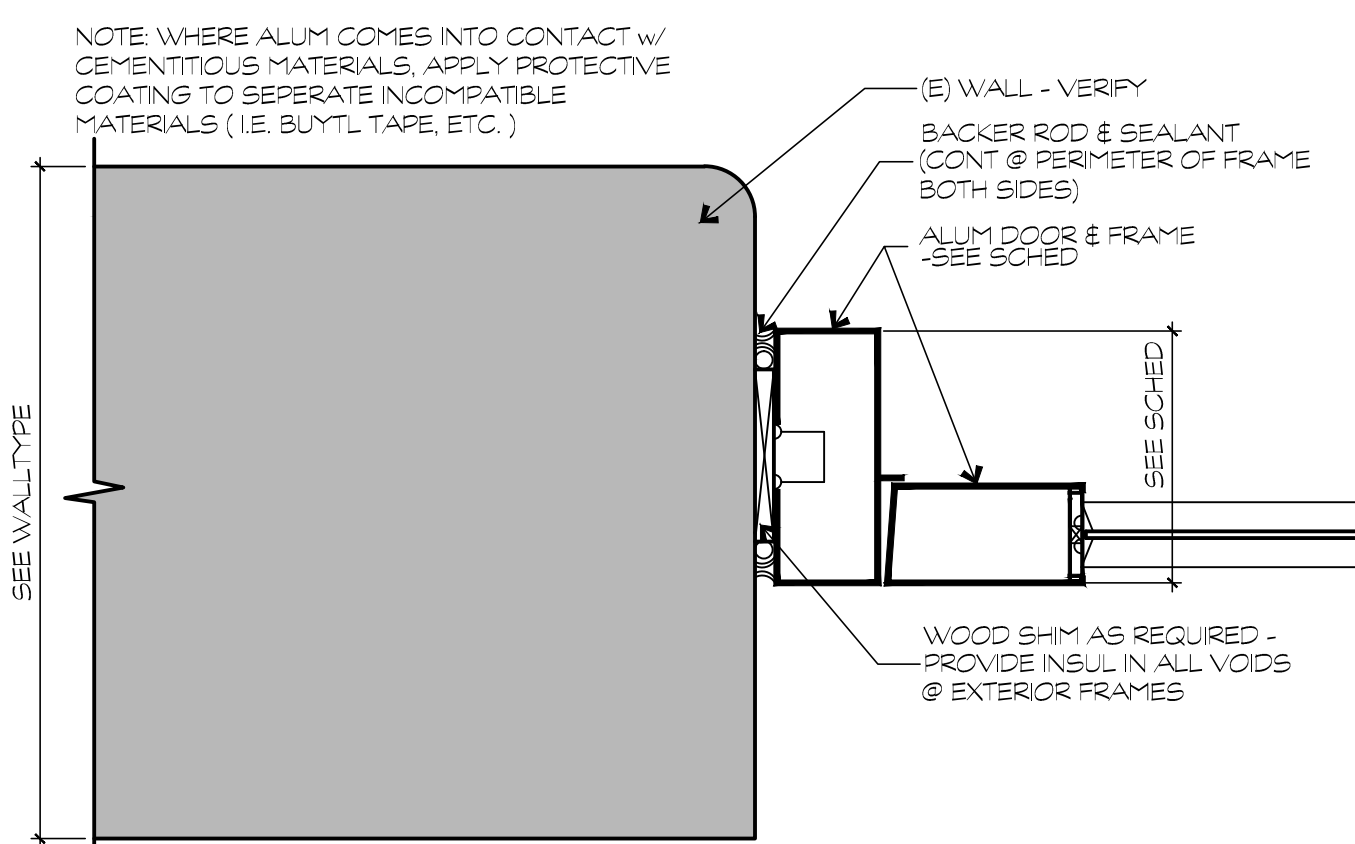
10  
A2.3



**CURTAINWALL SILL DETAIL**

3" = 1'-0"

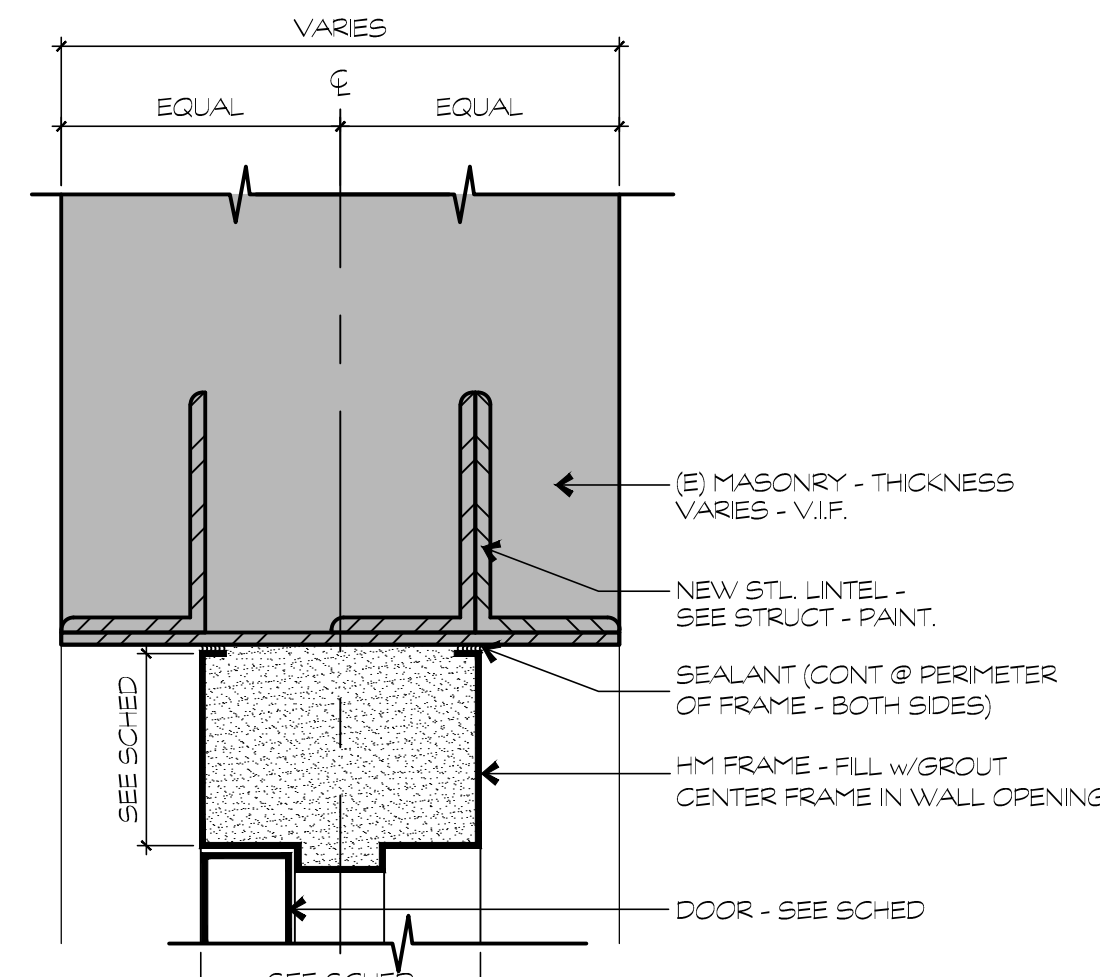
13  
A2.3



**ALUM JAMB DTL. • (E) EXTERIOR MASONRY OPNG**

3" = 1'-0"

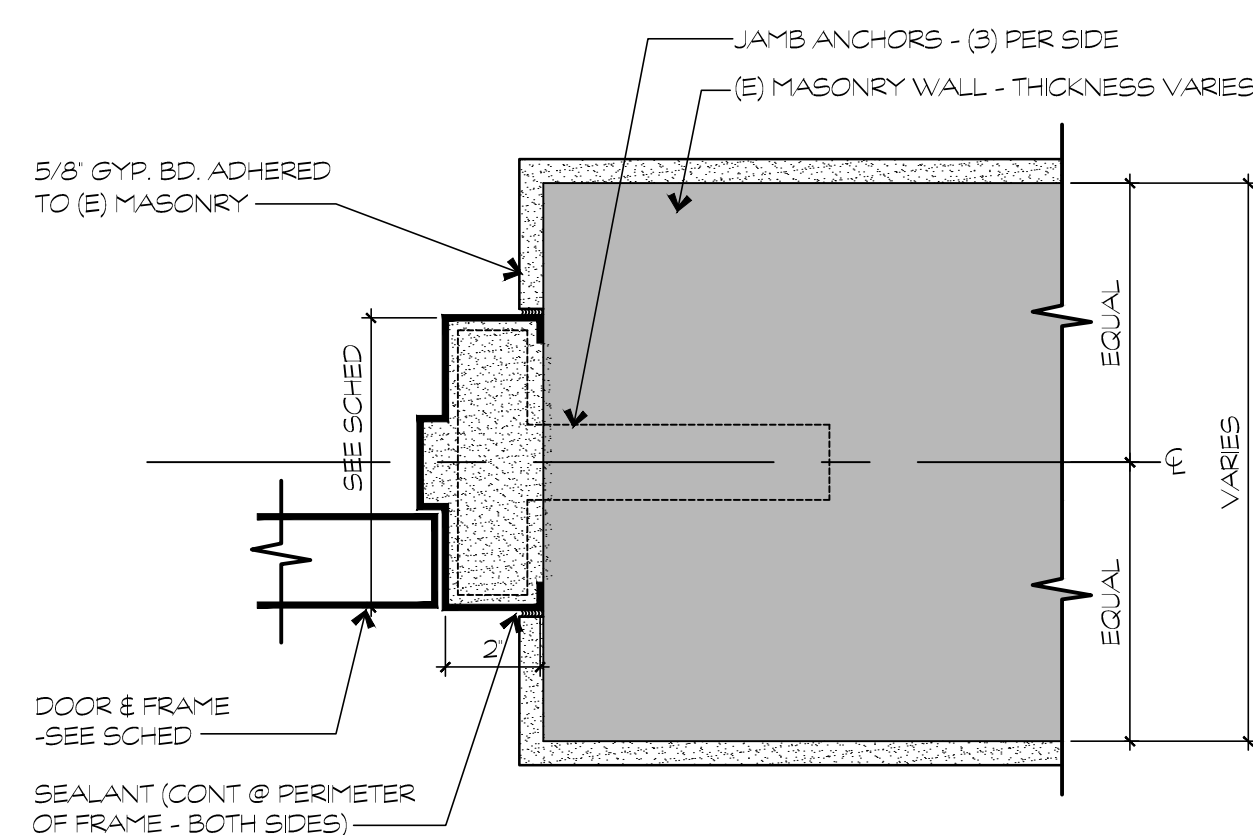
9  
A2.3



**HM HEAD DETAIL • INTERIOR WALL**

3" = 1'-0"

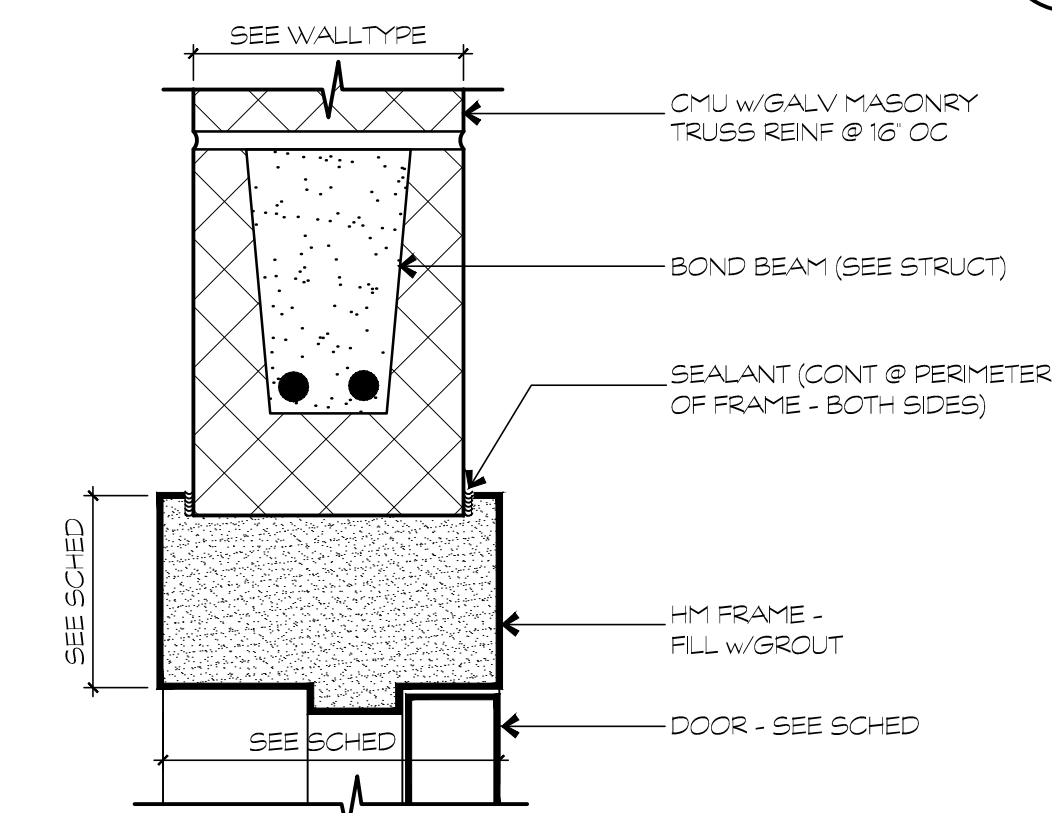
8  
A2.3



**HM JAMB DETAIL • INTERIOR WALL**

3" = 1'-0"

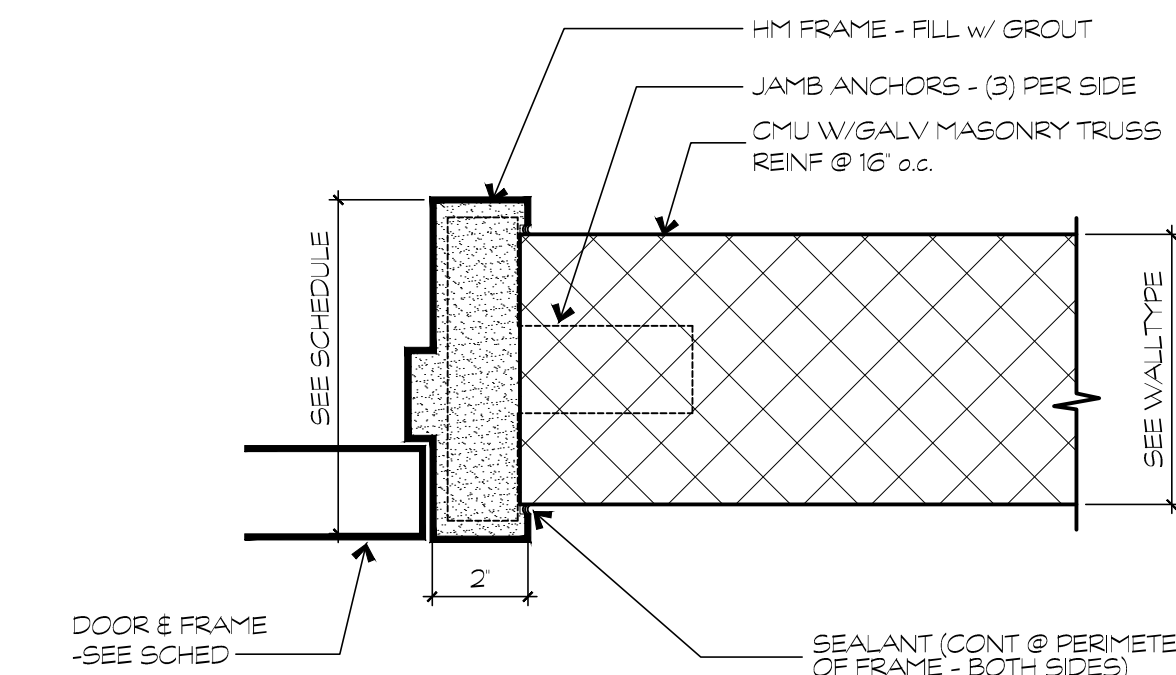
7  
A2.3



**HM HEAD DETAIL • INTERIOR WALL**

3" = 1'-0"

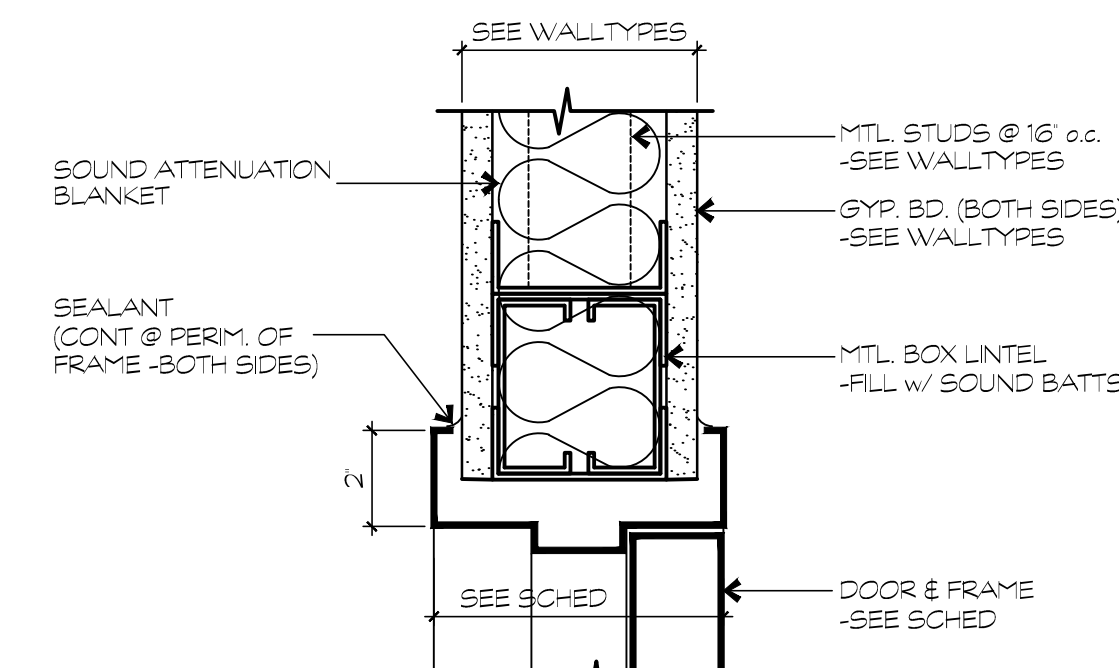
6  
A2.3



**HM JAMB DETAIL • INTERIOR WALL**

3" = 1'-0"

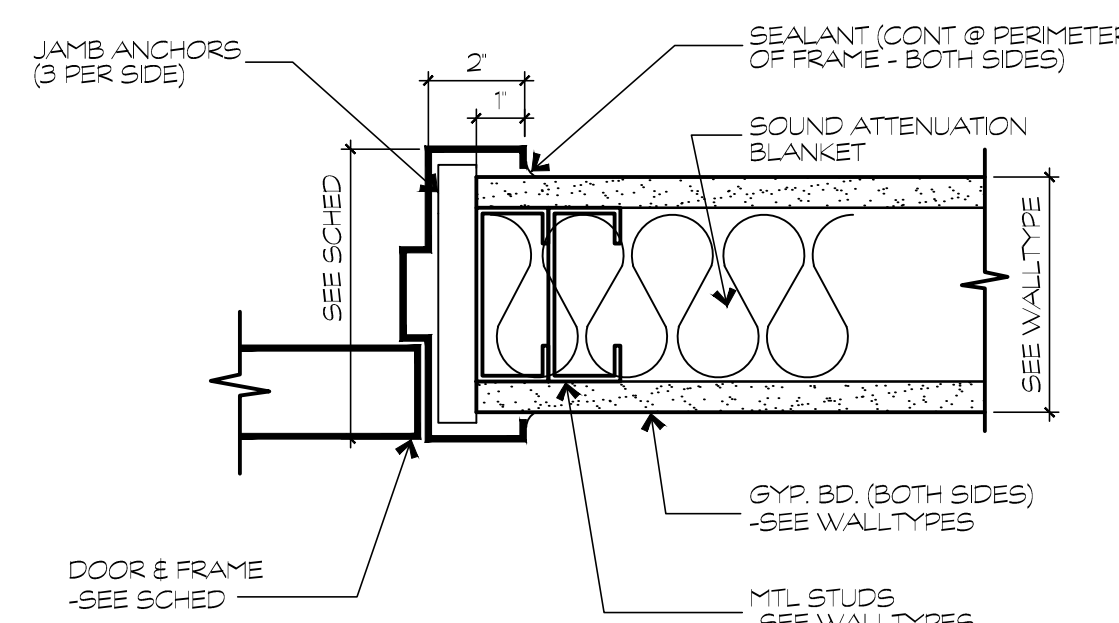
5  
A2.3



**HM HEAD DETAIL • INTERIOR GYP. BD. WALL**

3" = 1'-0"

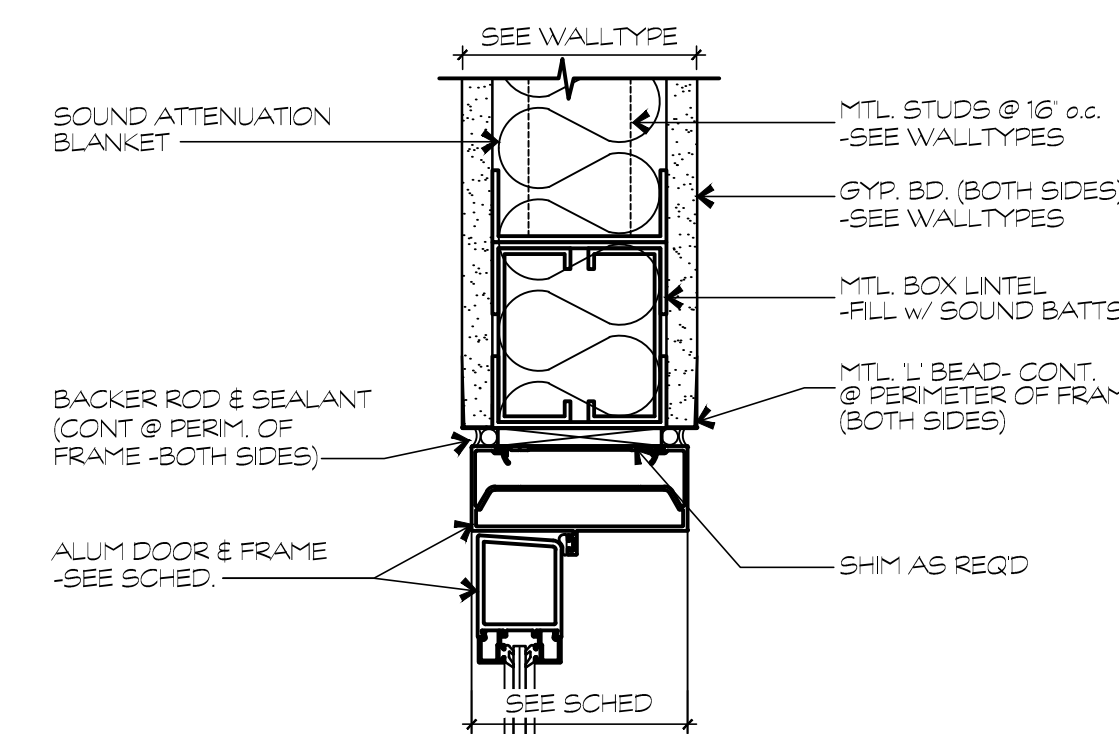
4  
A2.3



**HM JAMB DETAIL • INTERIOR WALL**

3" = 1'-0"

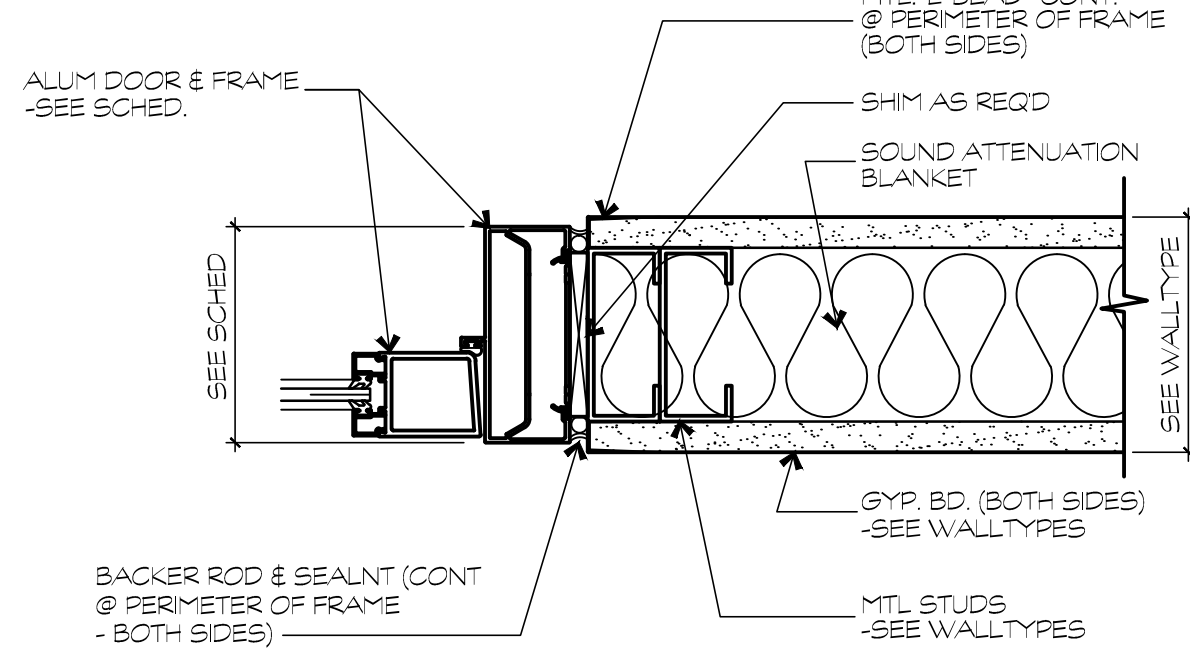
3  
A2.3



**ALUM HEAD DETAIL • INTERIOR WALL**

3" = 1'-0"

2  
A2.3



**ALUM JAMB DETAIL • INTERIOR WALL**

3" = 1'-0"

1  
A2.3



DRAWING INTENT IS TO  
PROVIDE A GENERAL  
ARRANGEMENT DESIGN AND  
INTENT OF WORK IS PARTIALLY  
DIAGRAMMATIC. IT SHALL  
NOT BE SCALED FOR  
CONSTRUCTION. VERIFY  
ROUGH IN THE FIELD  
SHOP DRAWINGS  
CONTRACTOR IS  
RESPONSIBLE FOR  
VERIFICATION OF DIMENSIONS

DESIGNER HAS  
CONDUCTED VISUAL  
CHECKS AND APPROVED  
PREPARED OR APPROVED  
BY ME, AND THAT I AM A DULY  
LICENSED ARCHITECT UNDER  
THE LAWS OF THE STATE OF  
MARYLAND.  
LICENSE No. 8278  
EXPIRATION DATE  
09/02/14

**BUSHEY FEIGHT MORIN ARCHITECTS INC.**  
475 North Potomac Street, Hagerstown, MD 21740  
301-733-5600 Fax 301-733-5612  
E-mail: BFM@BFMArchitects.com  
© copyright 2014 Bushey Feight Morin Architects, Inc.

**BFM**  
**BUSHEY FEIGHT MORIN ARCHITECTS INC.**

BID DOCUMENTS  
DOOR & WINDOW  
DETAILS

**A2.3**  
OF SHEETS  
DATE: 08.15.14