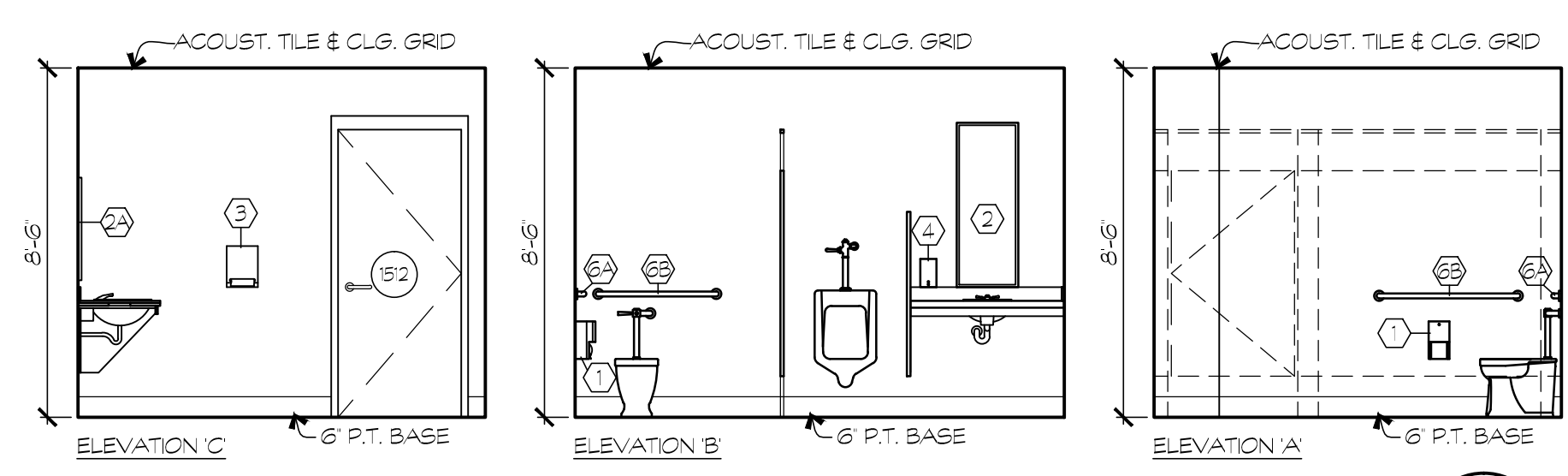
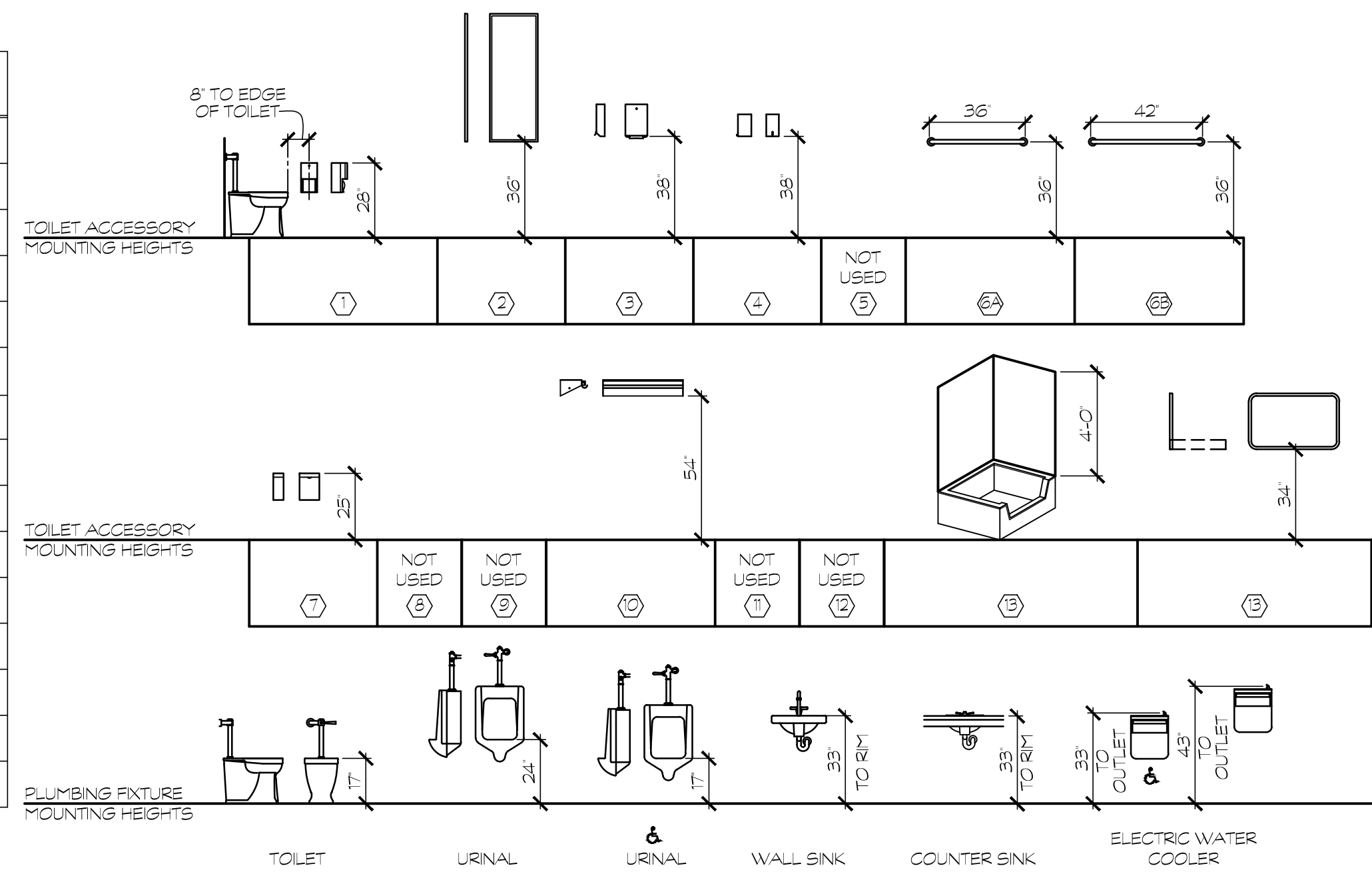
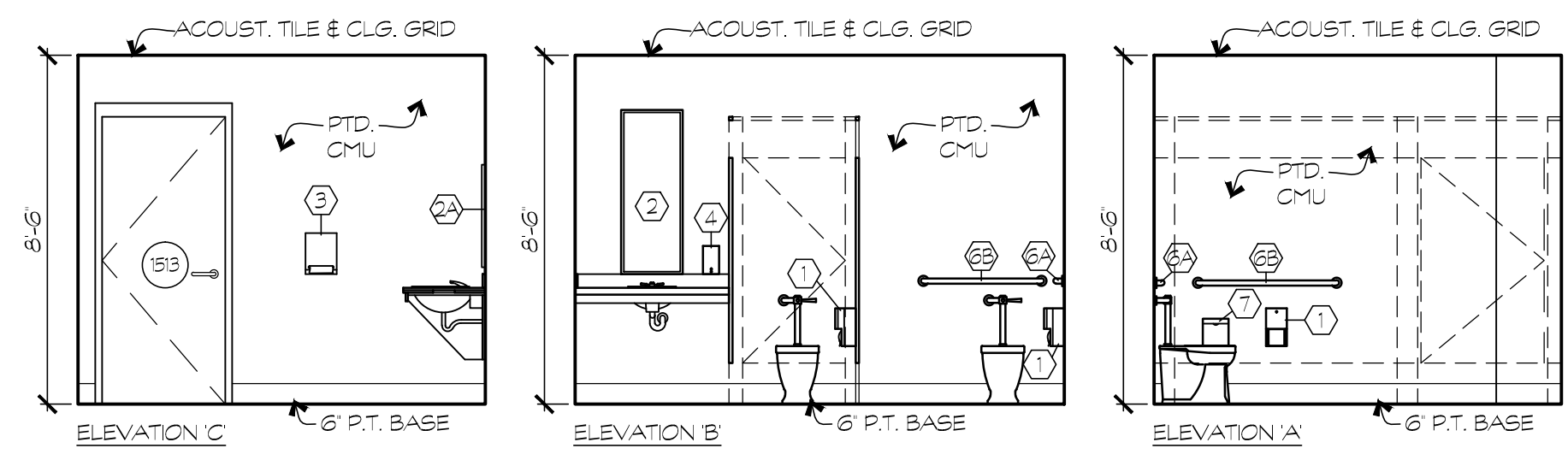


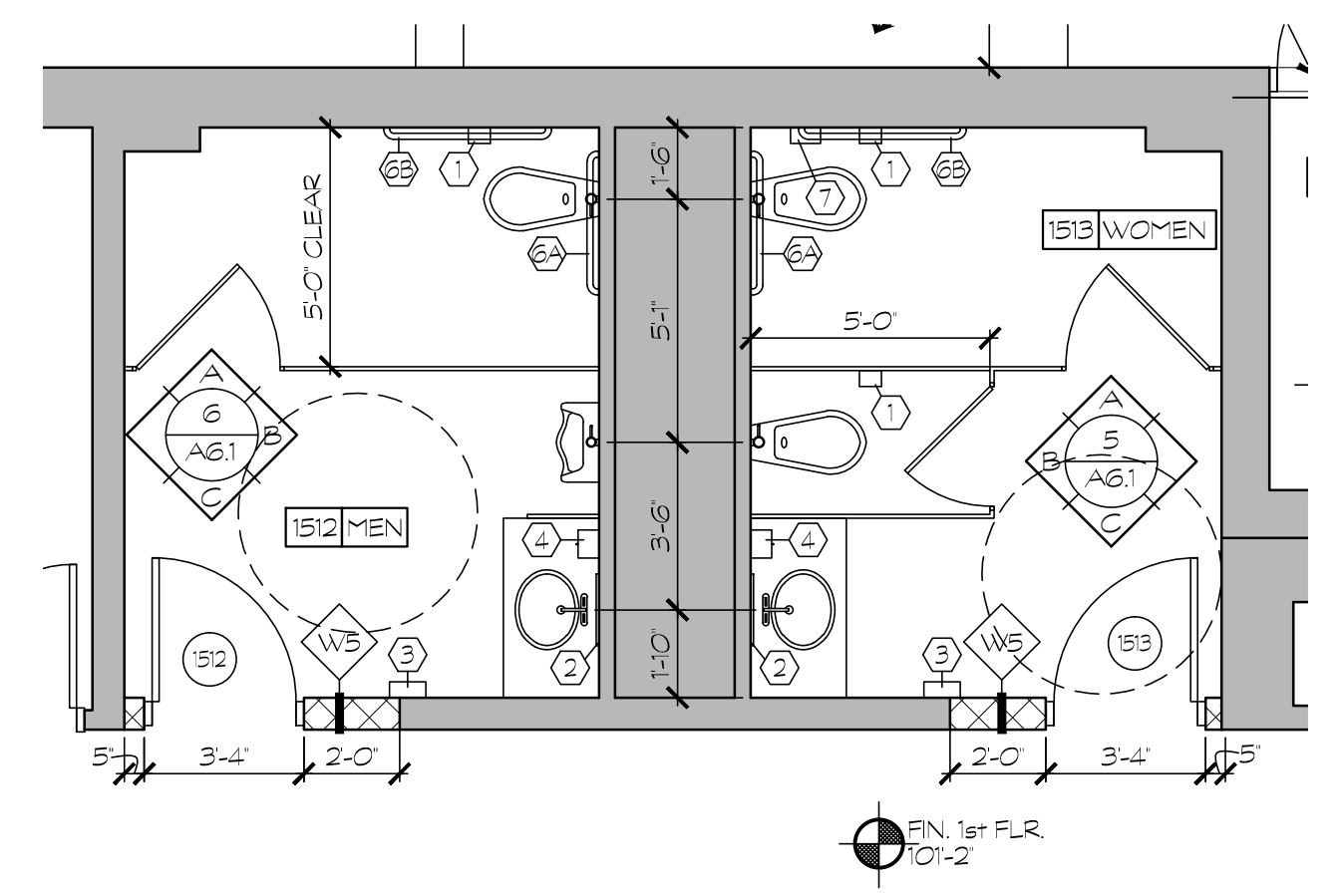
TOILET ACCESSORY LEGEND (SEE SPECIFICATIONS)	
①	TOILET PAPER DISPENSER
②	MIRROR (6' x 48')
③	PAPER TOWEL DISPENSER
④	SOAP DISPENSER
⑤	NOT USED
⑥	36" GRAB BAR (TOILET)
⑦	42" GRAB BAR (TOILET)
⑧	SANITARY NAPKIN DISPOSAL
⑨	NOT USED
⑩	NOT USED
⑪	MOP RACK w/ SHELF
⑫	NOT USED
⑬	NOT USED
⑭	FRP PANEL 48" HIGH x WIDTH OF FIXTURE
⑮	BABY CHANGING STATION



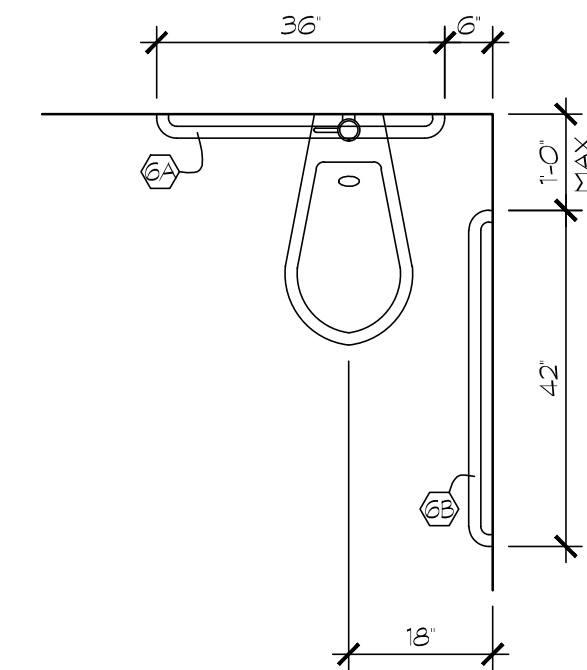
INTERIOR ELEV - ROOM 152 - MEN'S TOILET



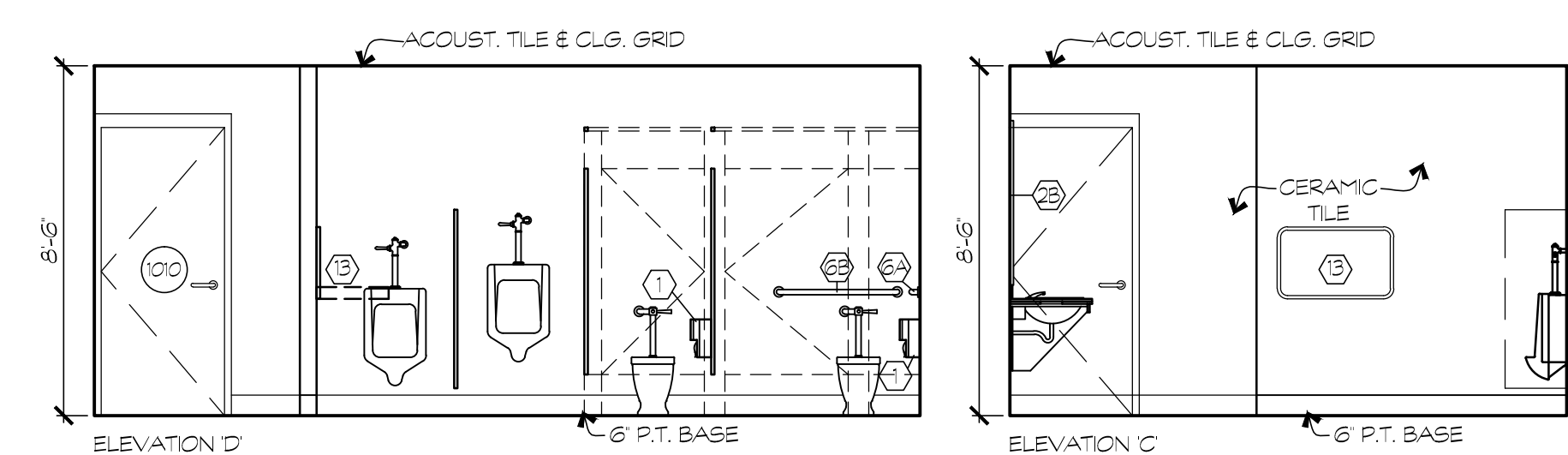
INTERIOR ELEV - ROOM 153 - WOMEN'S TOILET



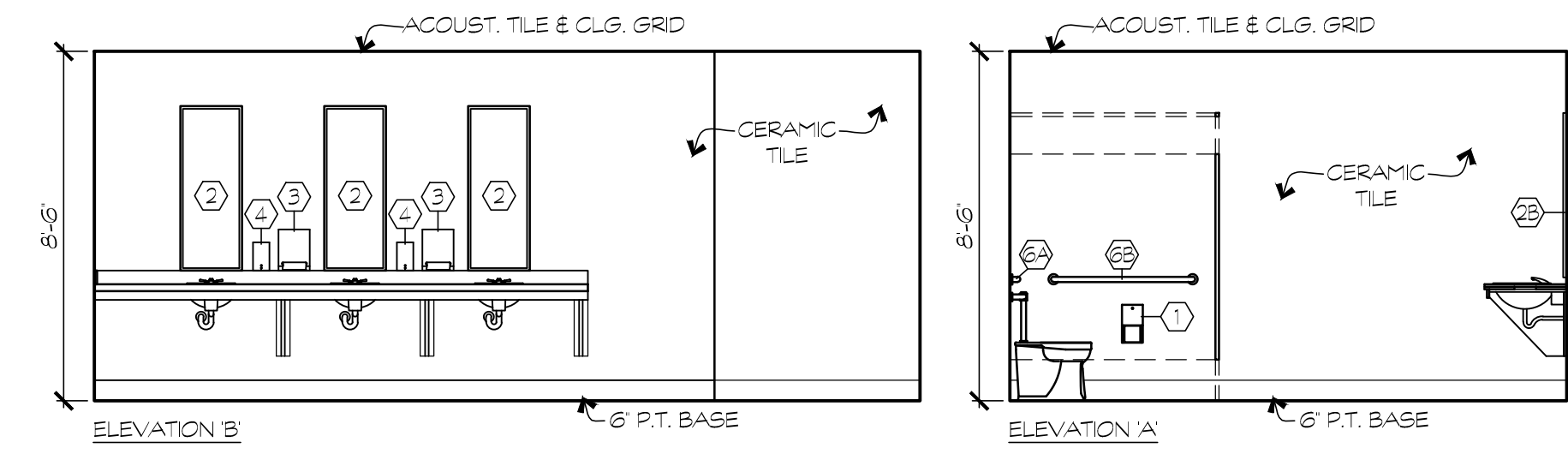
ENLARGED PLAN • 152-MEN + 153-WOMEN



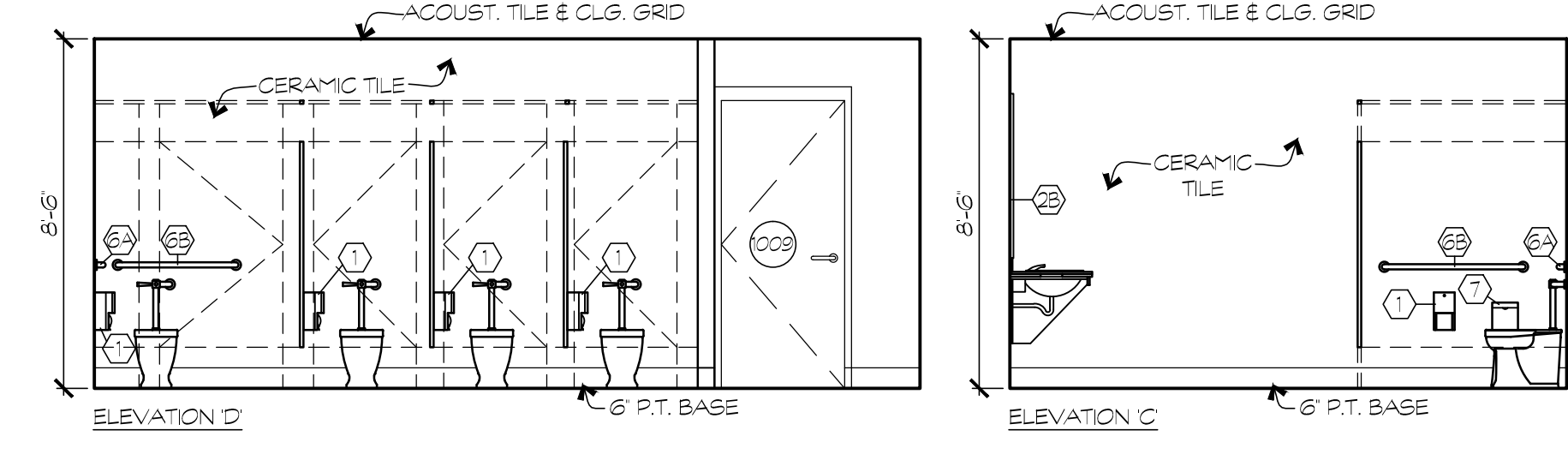
GRAB BAR LOCATION PLAN



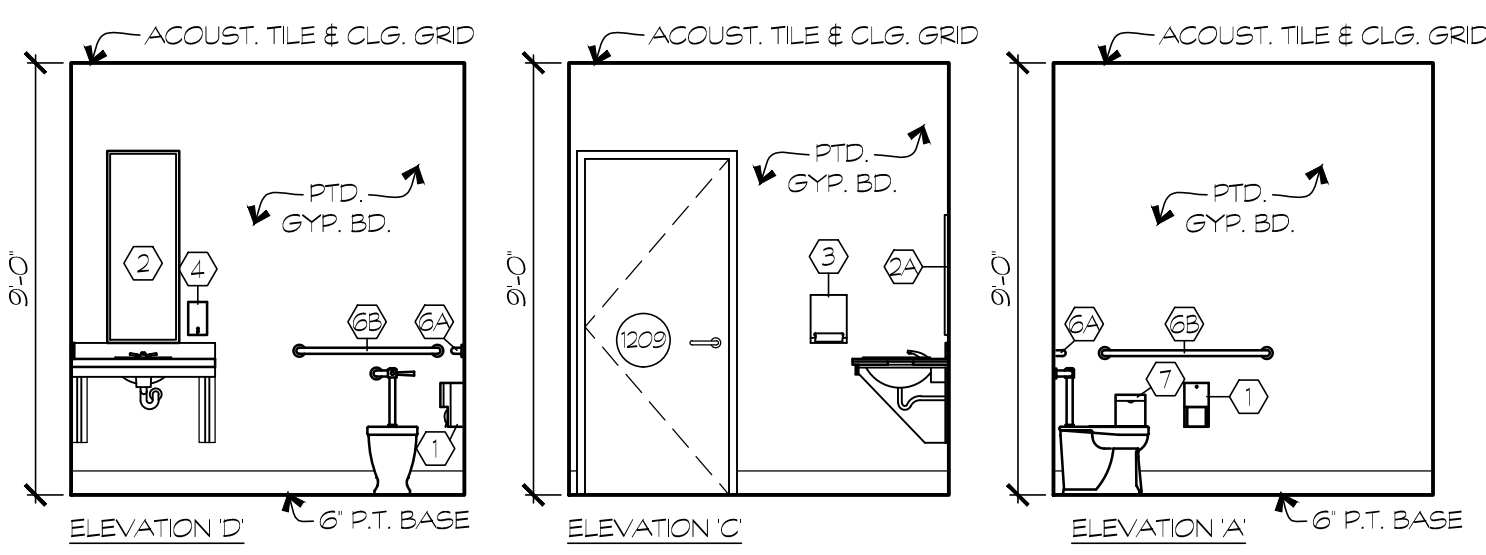
INTERIOR ELEV - ROOM 1010 - MEN'S TOILET



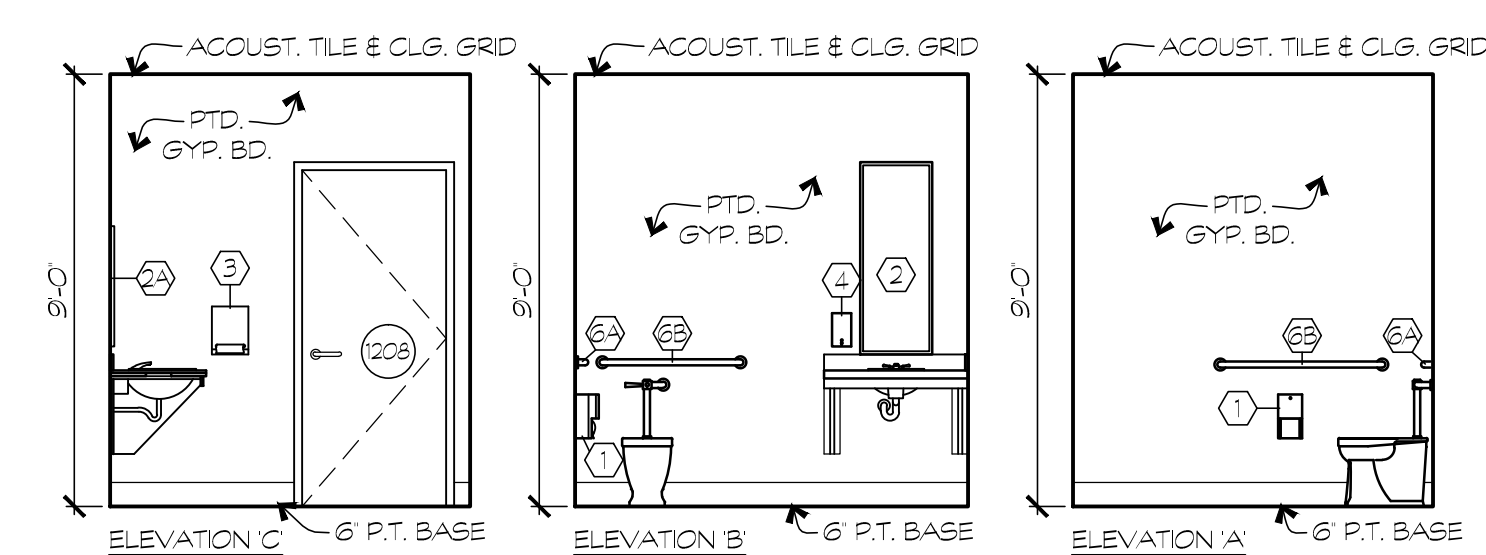
INT. ELEV. • ROOM 1008 CUSTODIAL



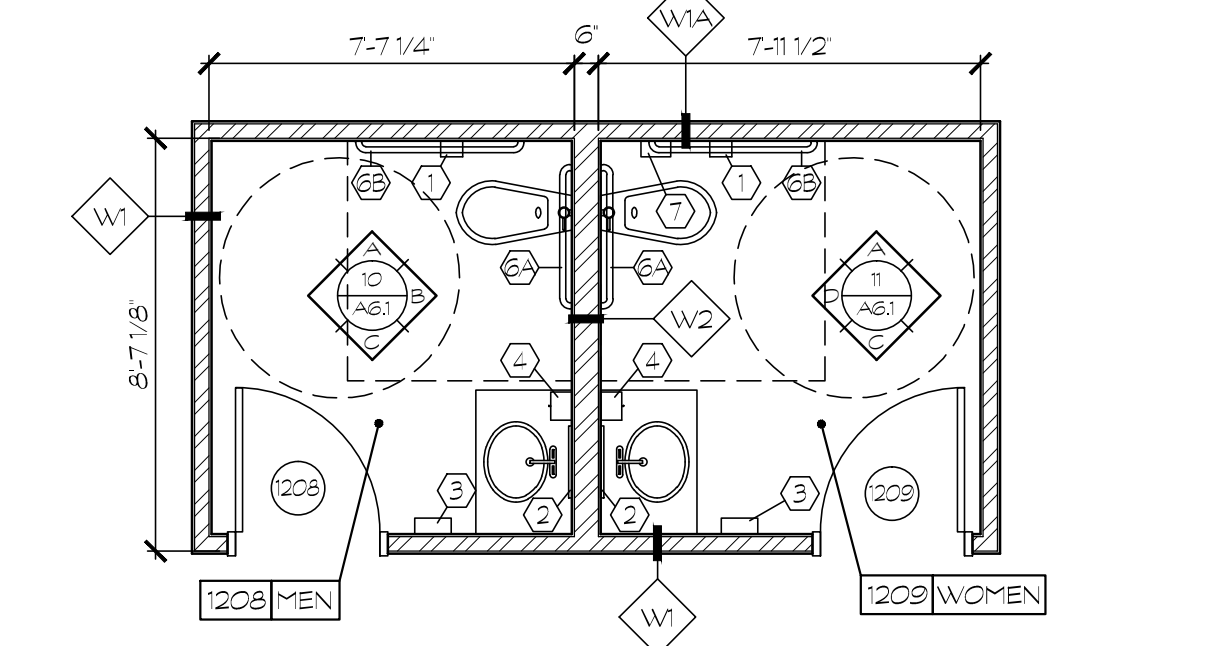
INTERIOR ELEV - ROOM 1009 - WOMEN'S TOILET



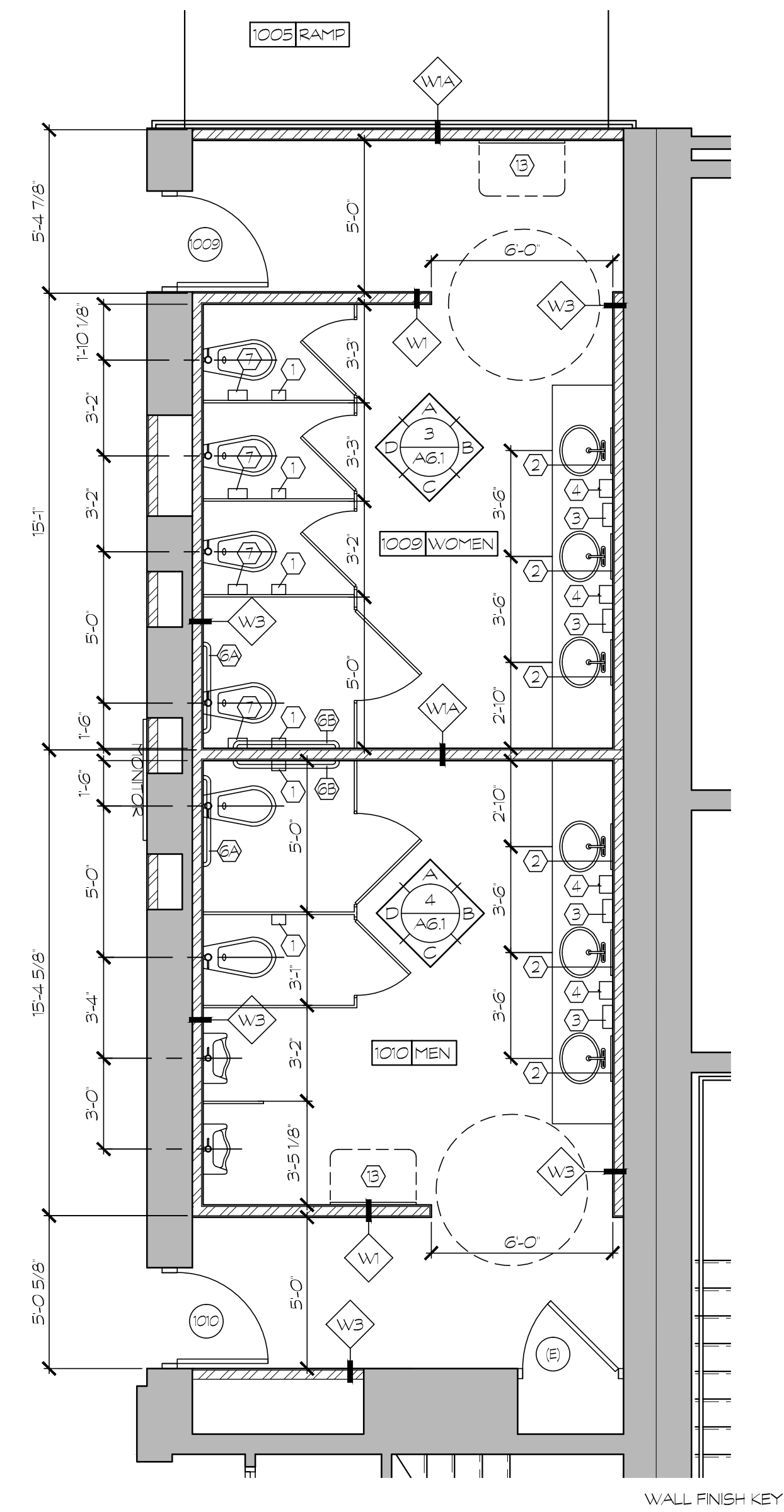
INTERIOR ELEV - ROOM 1209 - WOMEN'S TOILET



INTERIOR ELEV - ROOM 1208 - MEN'S TOILET



ENLARGED PLAN • 1208-MEN'S + 1209 WOMEN'S



PART. FIRST FLOOR PLAN

DRAWING NO. 15
 PREPARED OR APPROVED BY ME AND THAT I AM A DULY LICENSED ARCHITECT UNDER THE LAWS OF THE STATE OF MARYLAND.
 CONTRACTOR'S RESPONSIBILITY FOR VERIFICATION OF DIMENSIONS

DESIGNER: BFM
 ARCHITECTS, INC.
 475 North Parsonage Street, Hagerstown, MD 21740
 301-733-5600 Fax 301-733-5612
 E-mail: BFM@BFM-Architects.com
 © copyright 2014, Bushey Feight Morin Architects, Inc.
 LICENSE NO. 8278
 EXPIRATION DATE 09/02/14

BFM
 BUSHEY FEIGHT MORIN ARCHITECTS, INC.
 475 North Parsonage Street, Hagerstown, MD 21740
 301-733-5600 Fax 301-733-5612
 E-mail: BFM@BFM-Architects.com
 © copyright 2014, Bushey Feight Morin Architects, Inc.

BFM
 BUSHEY FEIGHT MORIN ARCHITECTS, INC.
 475 North Parsonage Street, Hagerstown, MD 21740
 301-733-5600 Fax 301-733-5612
 E-mail: BFM@BFM-Architects.com
 © copyright 2014, Bushey Feight Morin Architects, Inc.

BID DOCUMENTS
 PART. PLANS & INTERIOR ELEV.
A6.1
 OF SHEETS
 DATE: 08.15.14