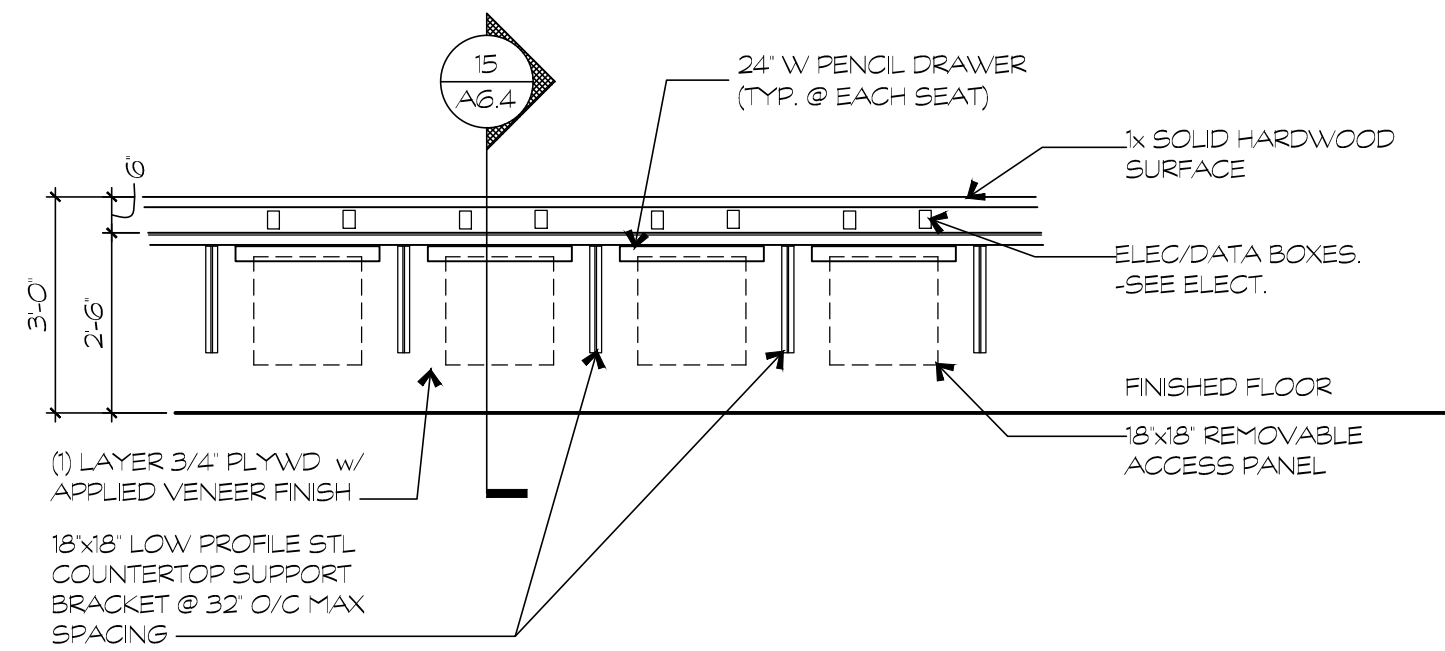


DETAIL • TYP. WALL REVEAL

3/8" = 1'-0"

7

A6.3

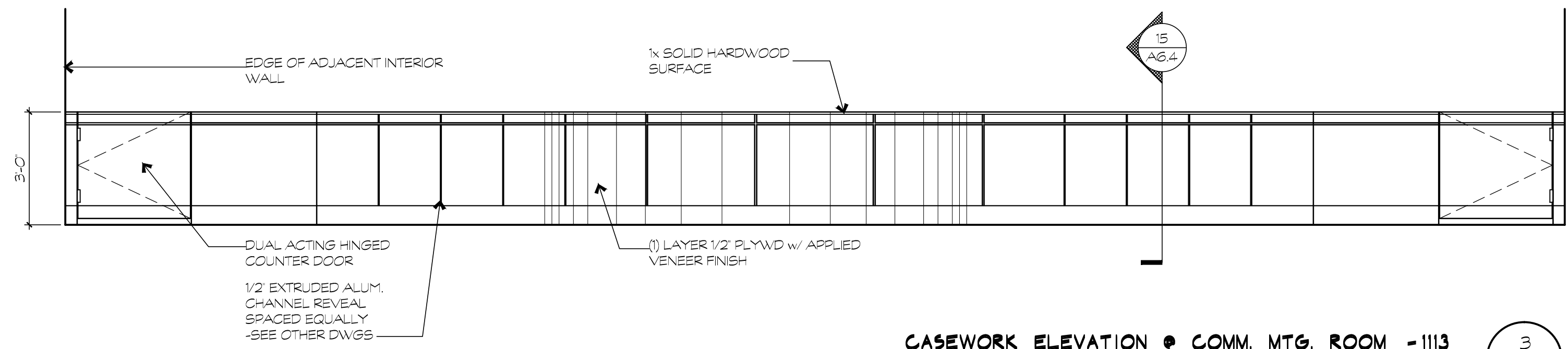


CASEWORK ELEVATION • COMM. MTG. ROOM - 1113

3/8" = 1'-0"

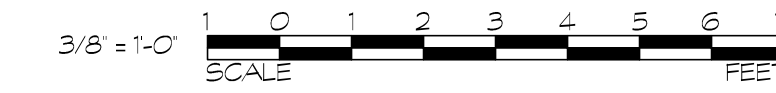
5

A6.3



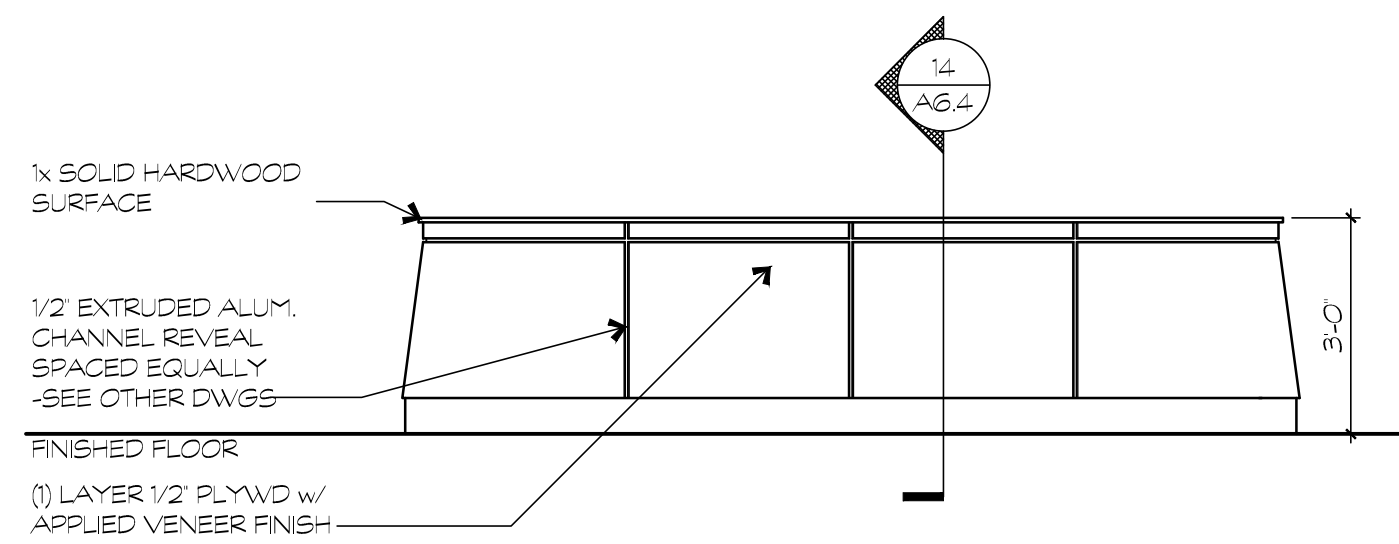
CASEWORK ELEVATION • COMM. MTG. ROOM - 1113

3/8" = 1'-0"



3

A6.3

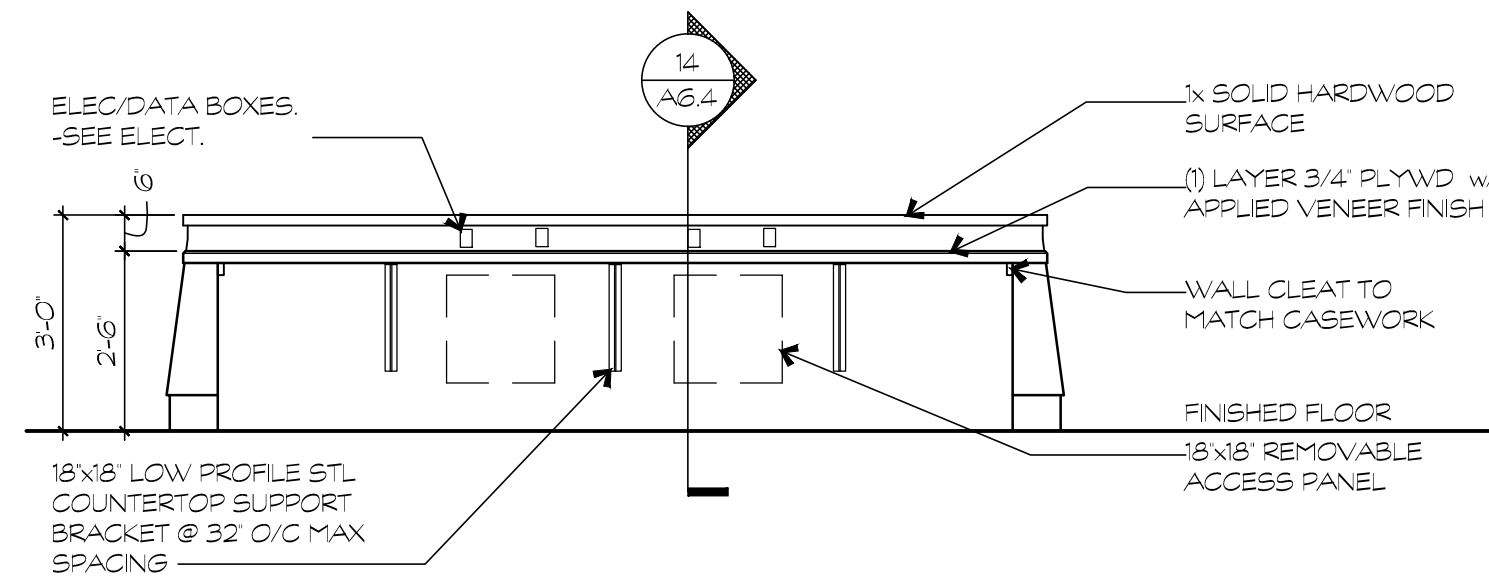


CASEWORK ELEVATION • COMM. MTG. ROOM - 1113

3/8" = 1'-0"

6

A6.3

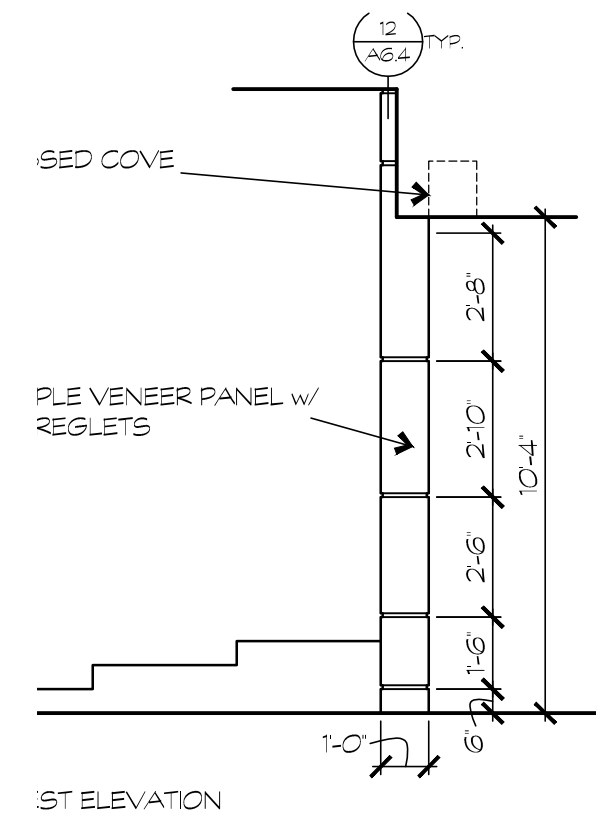


CASEWORK ELEVATION • COMM. MTG. ROOM - 1113

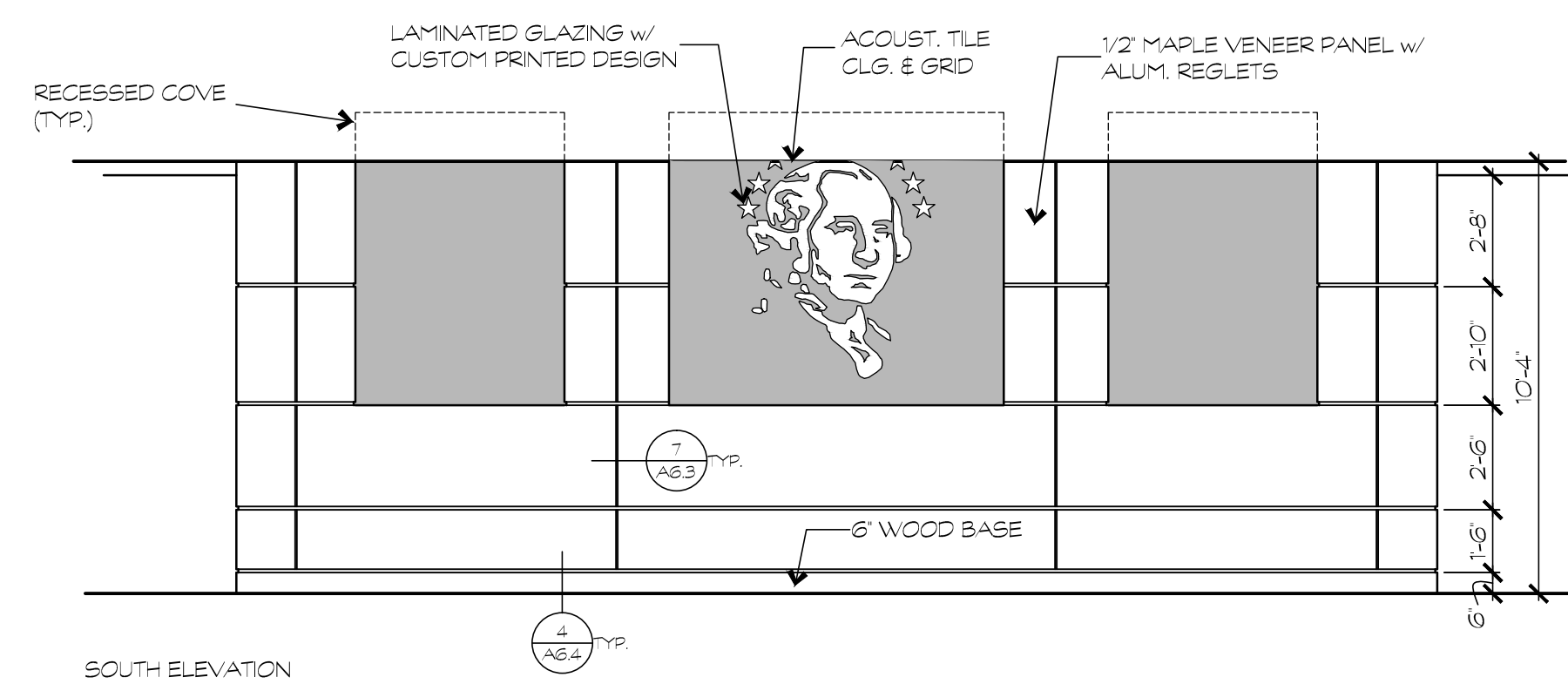
3/8" = 1'-0"

4

A6.3



ST ELEVATION



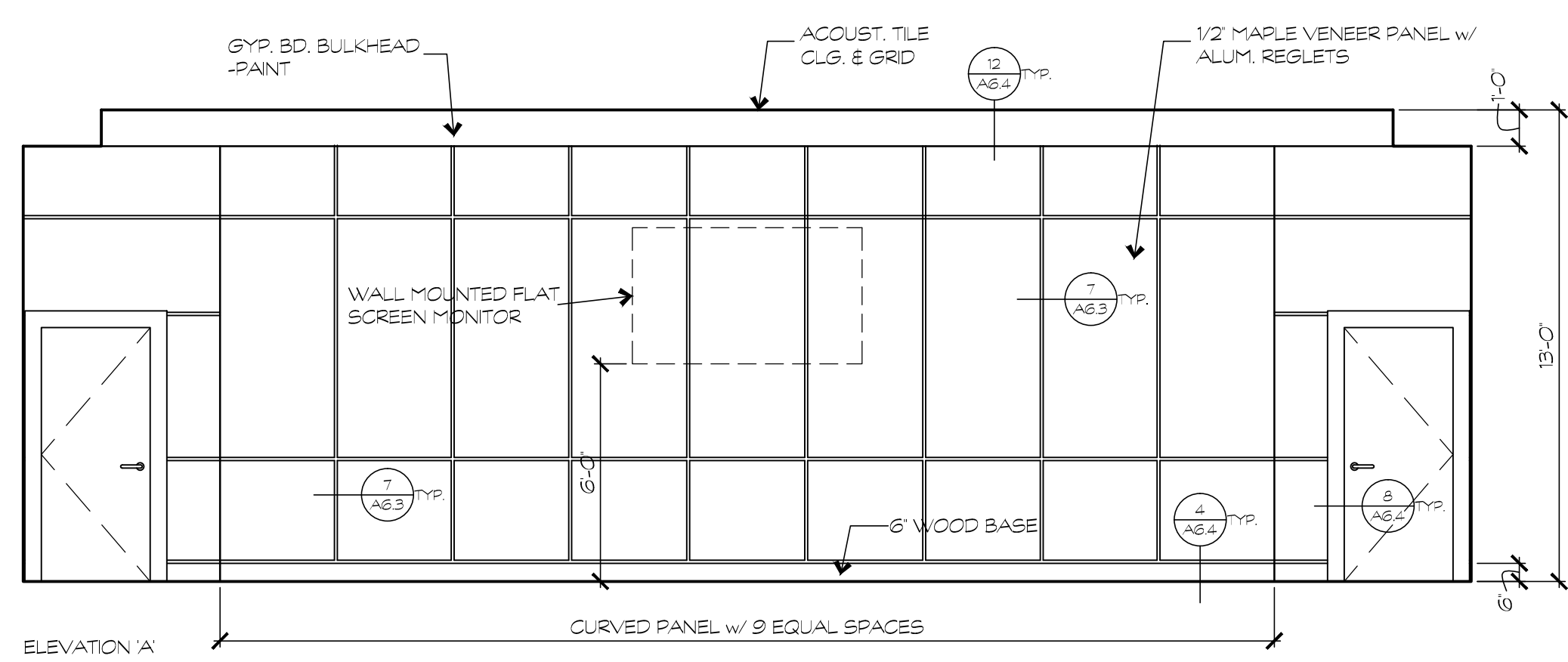
SOUTH ELEVATION

ELEVATION • ACCENT WALL

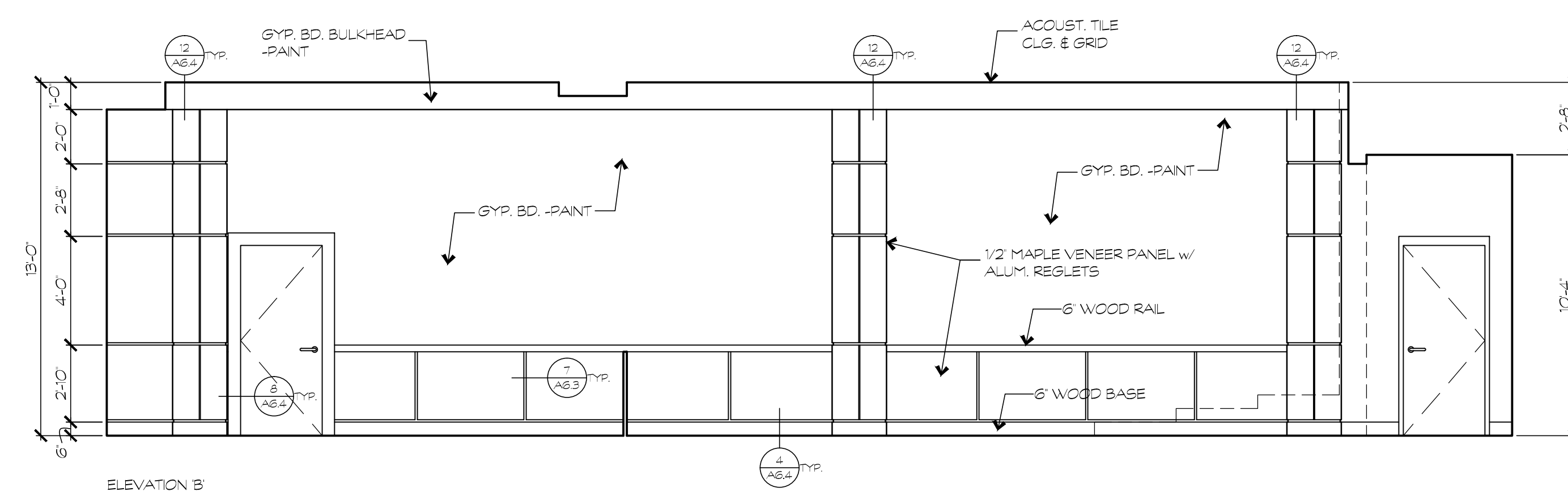
1/4" = 1'-0"

2

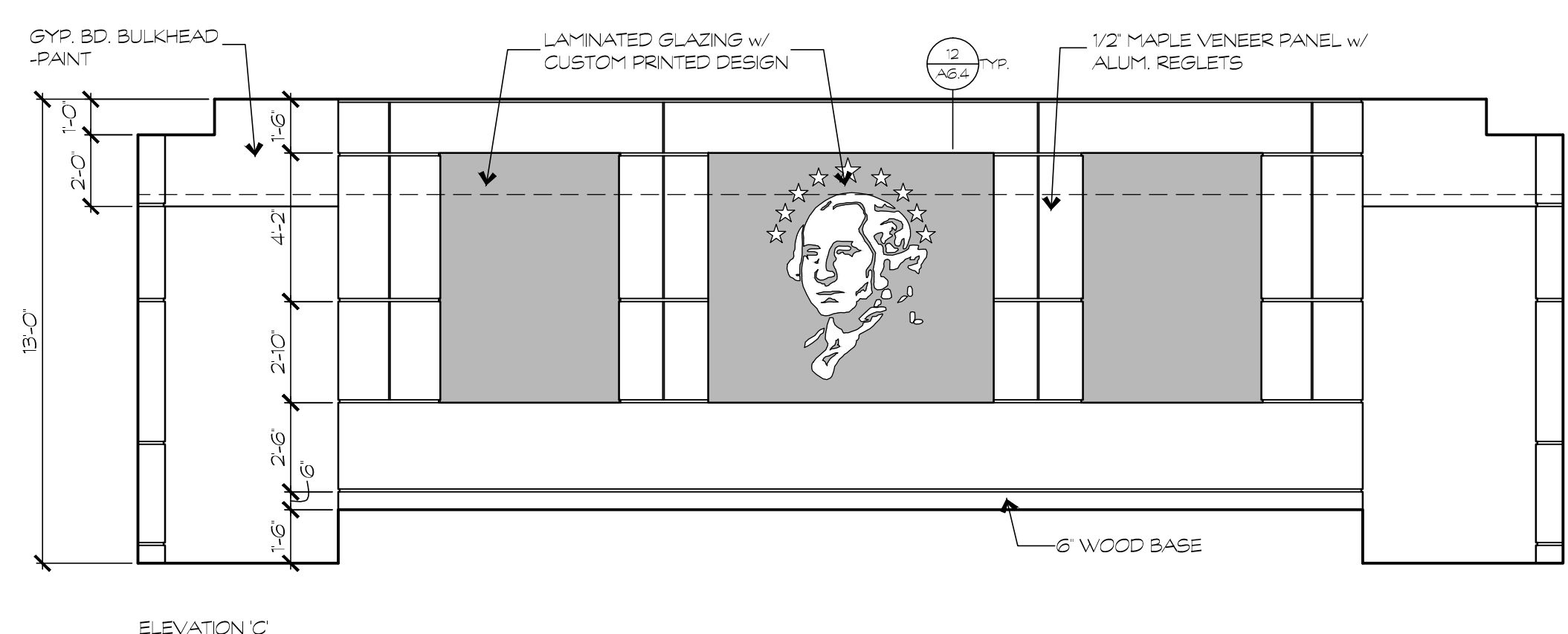
A6.3



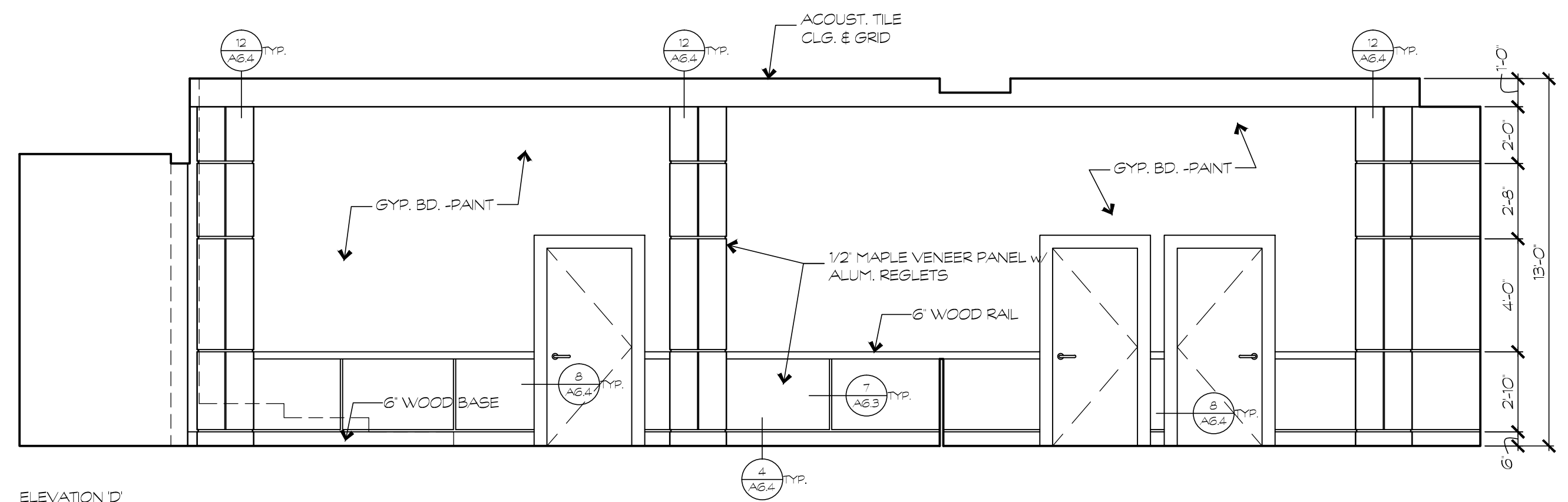
ELEVATION A



ELEVATION B



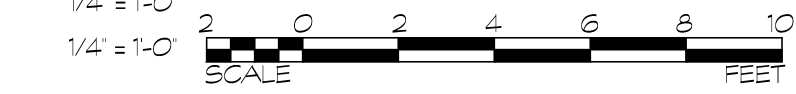
ELEVATION C



ELEVATION D

ELEVATION • MEETING ROOM

1/4" = 1'-0"



1

A6.3

DRAWING NOT TO BE USED FOR CONSTRUCTION OR ANY OTHER PURPOSES WITHOUT THE WRITTEN APPROVAL OF THE ARCHITECT. THE ARCHITECT'S RESPONSIBILITY IS LIMITED TO THE DESIGN AND CONSTRUCTION OF THE PROJECT AS SHOWN ON THESE DRAWINGS. THE CONTRACTOR IS RESPONSIBLE FOR OBTAINING ALL NECESSARY PERMITS AND FOR VERIFYING ALL DIMENSIONS AND CONDITIONS OF THE SITE AND EXISTING STRUCTURE BEFORE CONSTRUCTION.

CONTRACTOR'S RESPONSIBILITY IS TO VERIFY ALL DIMENSIONS AND CONDITIONS OF THE SITE AND EXISTING STRUCTURE BEFORE CONSTRUCTION. THE CONTRACTOR IS RESPONSIBLE FOR OBTAINING ALL NECESSARY PERMITS AND FOR VERIFYING ALL DIMENSIONS AND CONDITIONS OF THE SITE AND EXISTING STRUCTURE BEFORE CONSTRUCTION.

BUSHEY FEIGHT MORIN ARCHITECTS INC.  
475 North Potomac Street, Hagerstown, MD 21740  
301-733-5600 Fax 301-733-5602  
E-mail: BFM@BFMArchitects.com  
© copyright 2014 Bushey Feight Morin Architects, Inc.

**BFM**

BID DOCUMENTS  
INTERIOR ELEVATIONS  
**A6.3**  
OF SHEETS  
DATE: 08.15.14