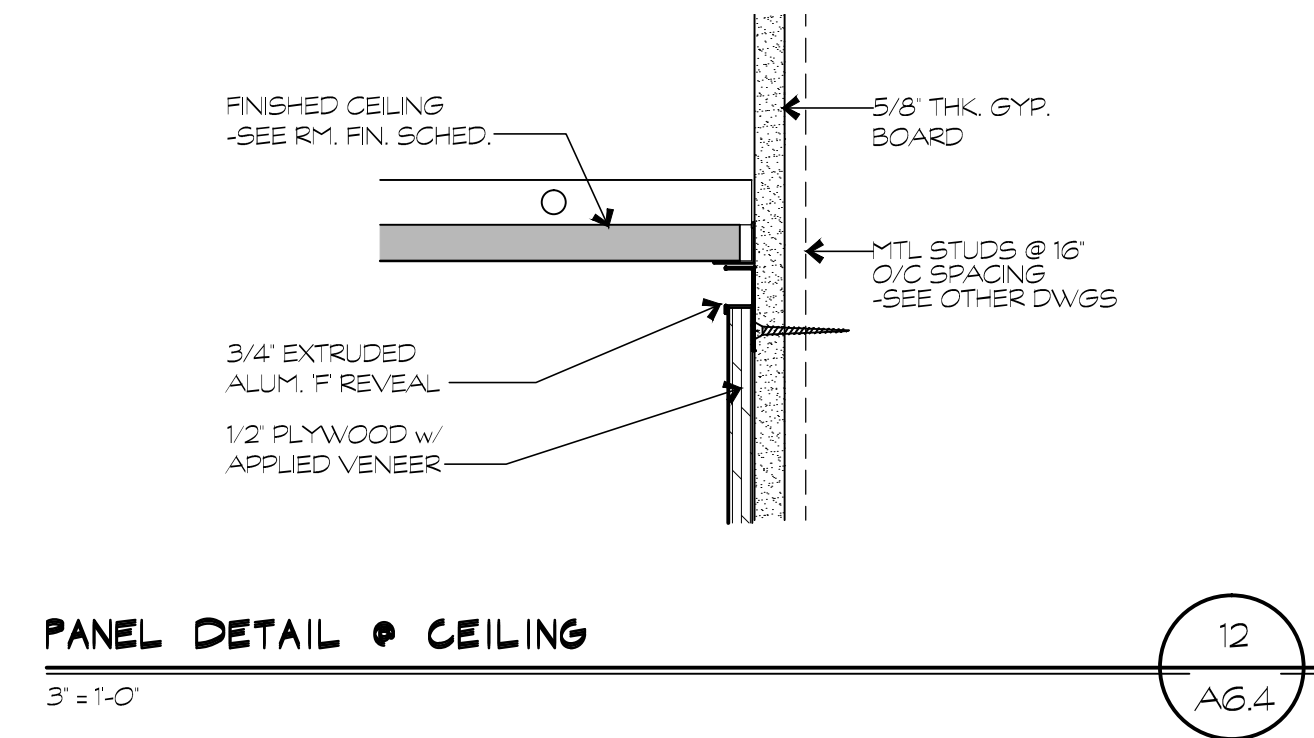
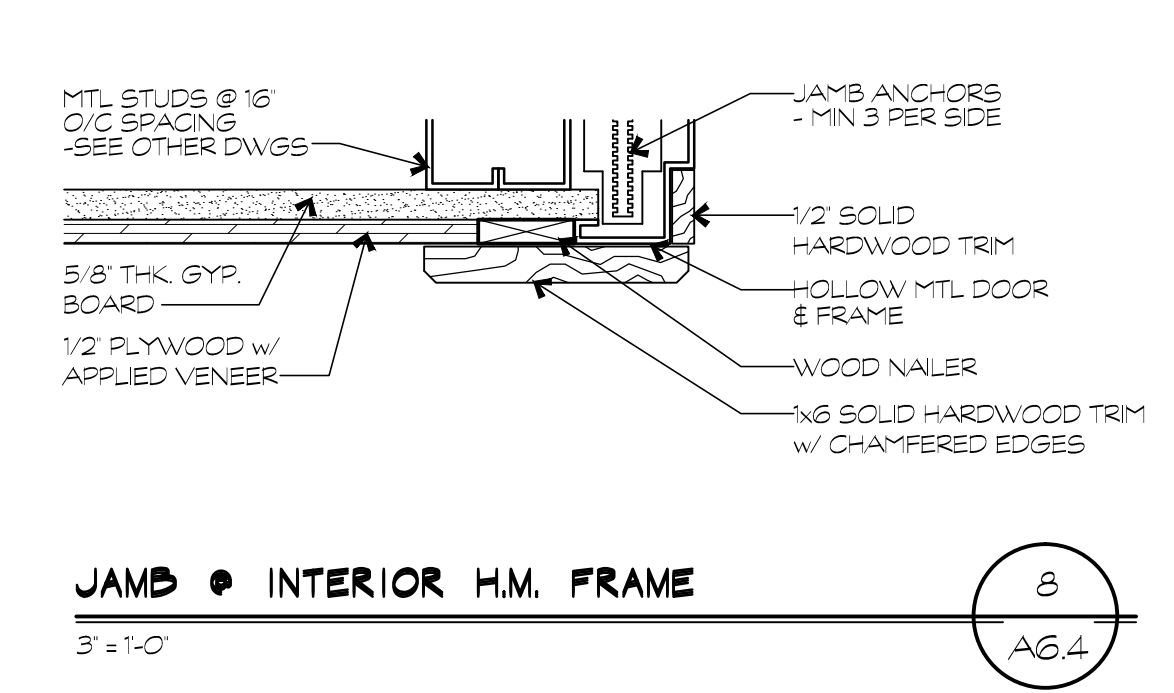


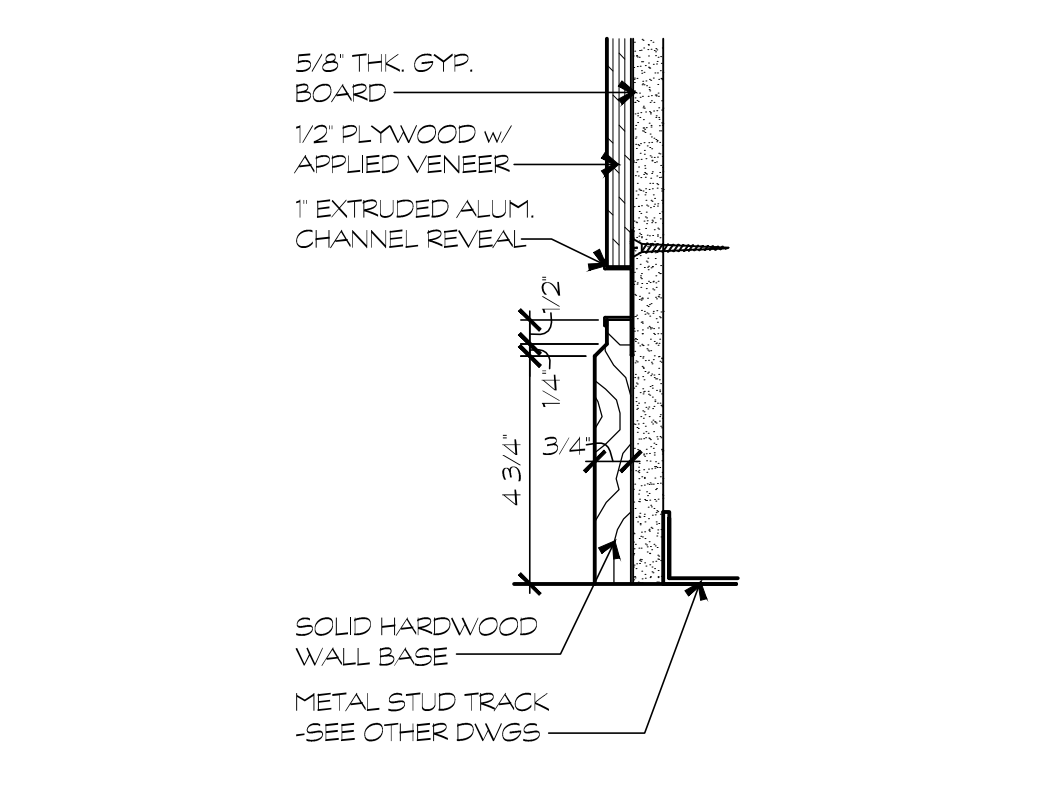
**SECTION • PRESENTATION COUNTER**  
1 1/2" = 1'-0"  
A6.4



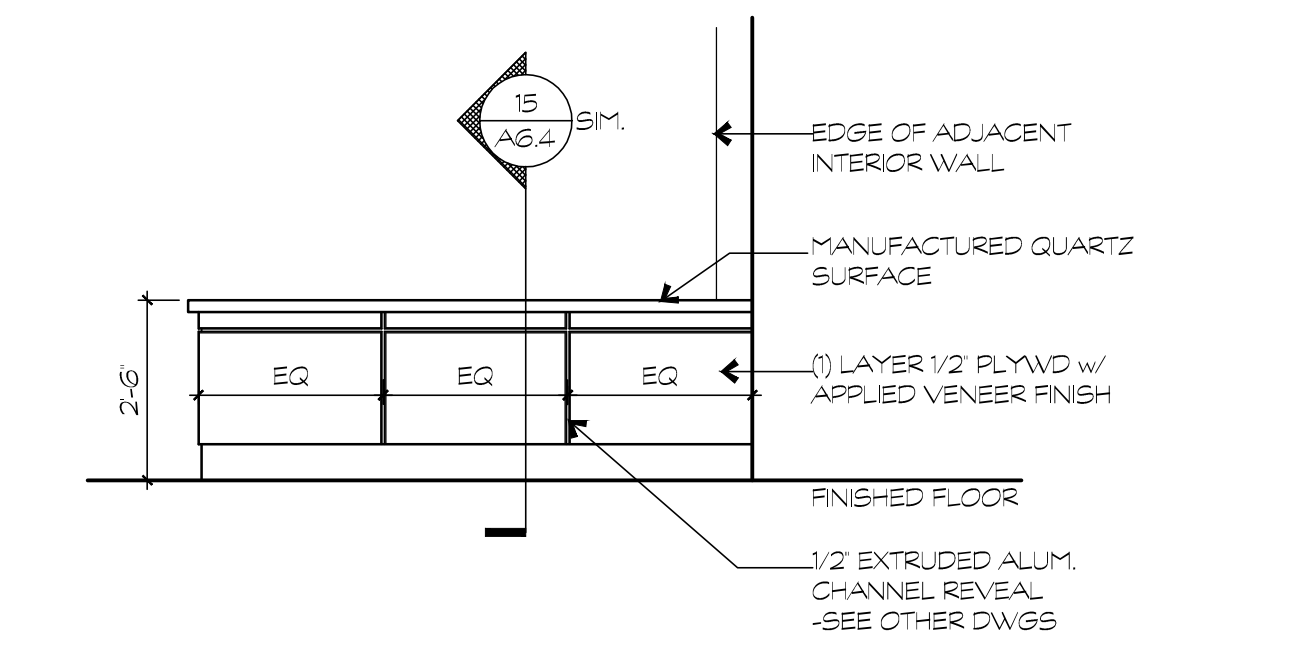
**PANEL DETAIL • CEILING**  
3" = 1'-0"  
A6.4



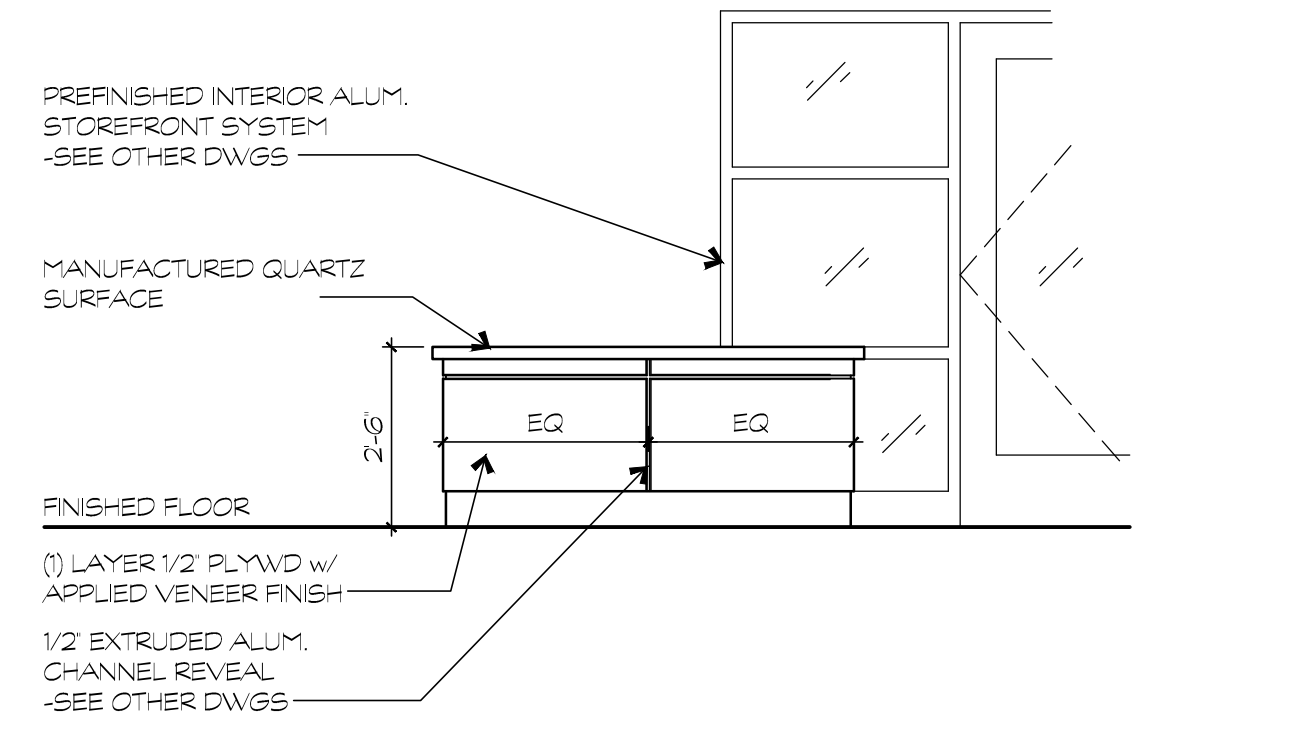
**JAMB • INTERIOR H.M. FRAME**  
3" = 1'-0"  
A6.4



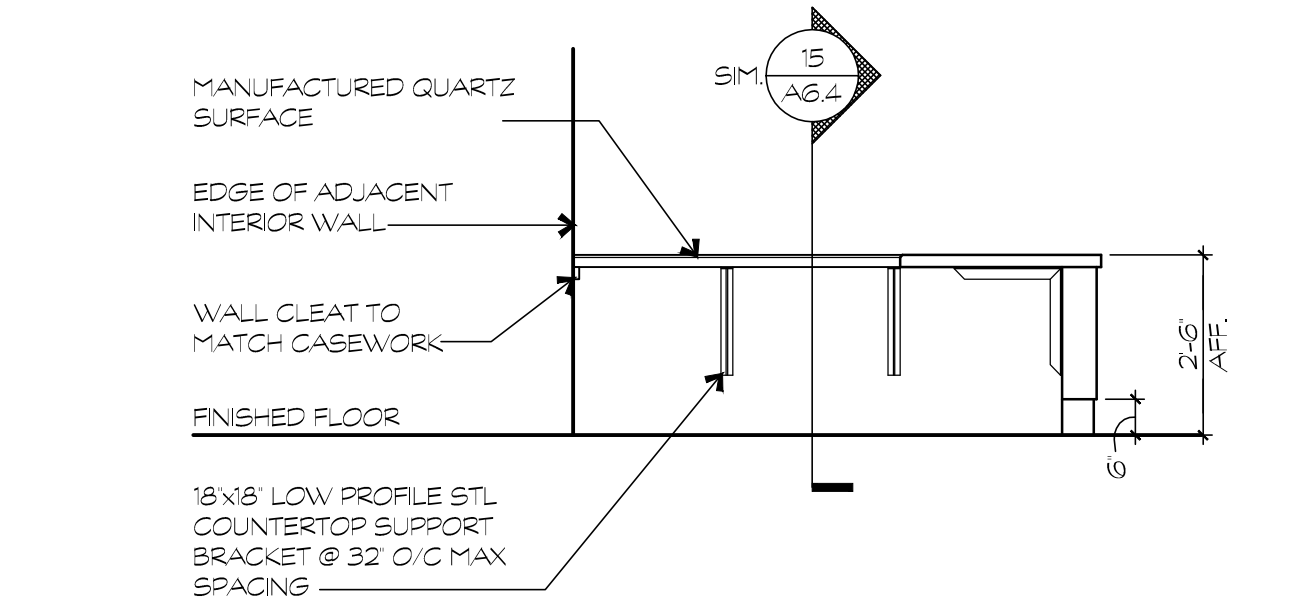
**DETAIL • TYP. WALL BASE**  
3" = 1'-0"  
A6.4



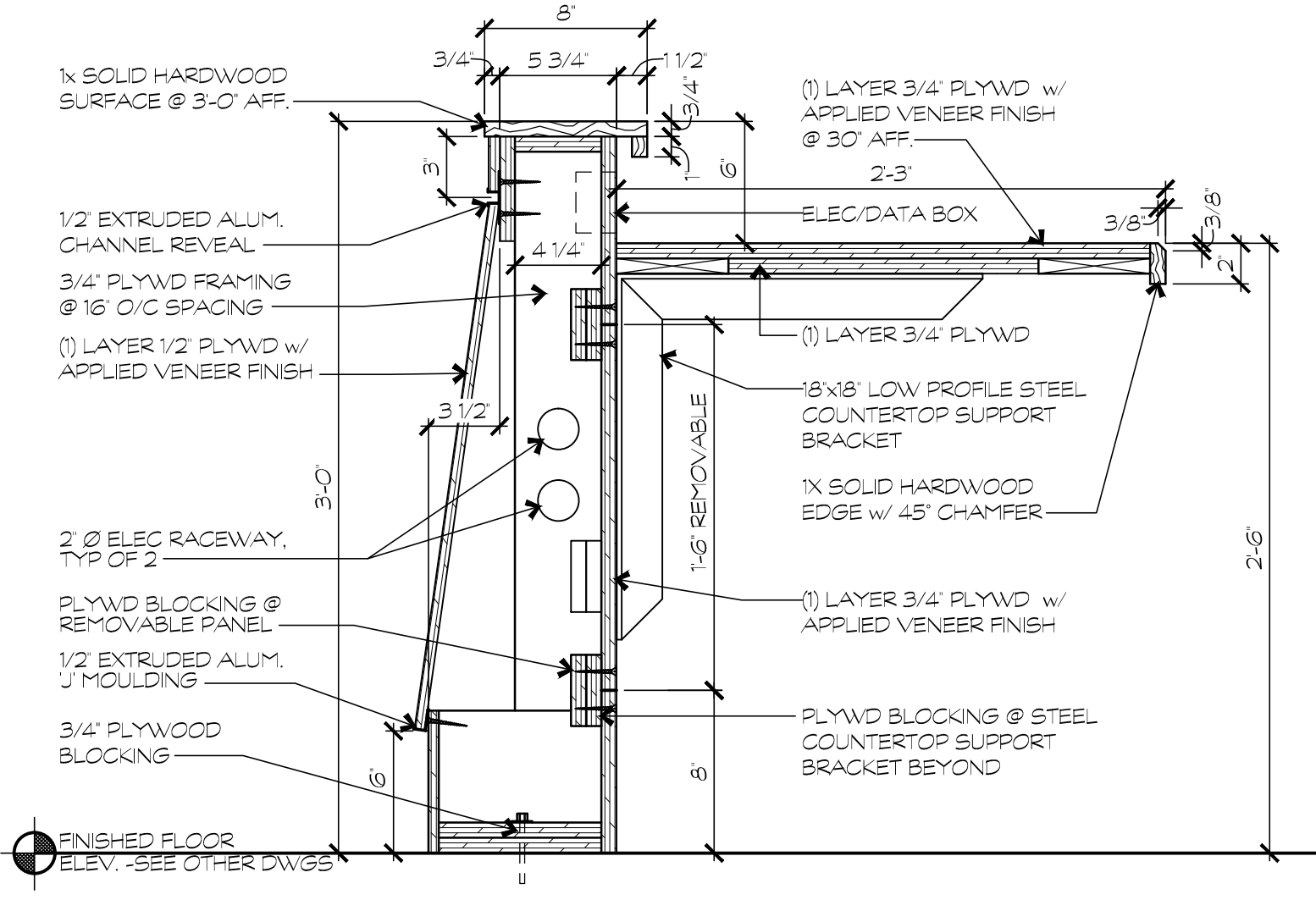
**CASEWORK ELEVATION • LOBBY - 1401**  
3/8" = 1'-0"  
A6.4



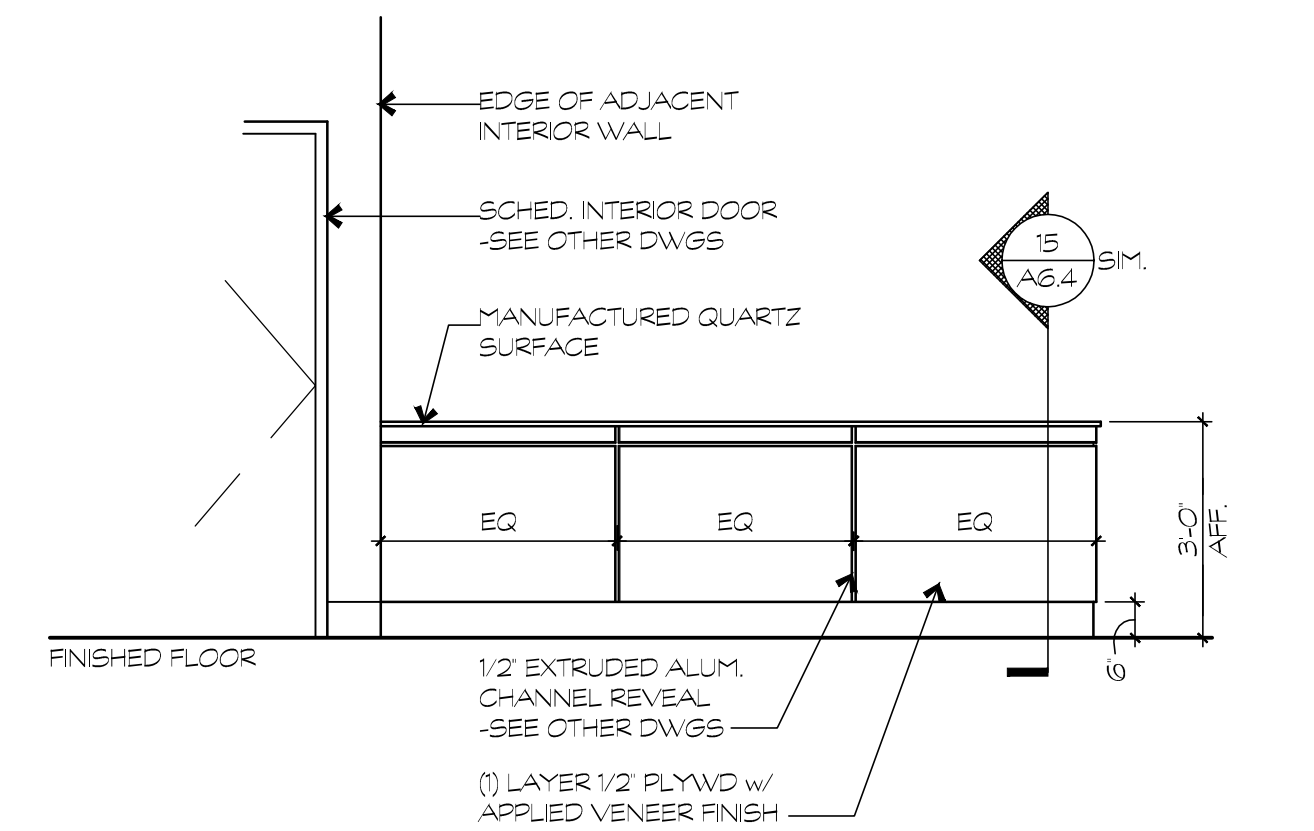
**CASEWORK ELEVATION • LOBBY - 1401**  
3/8" = 1'-0"  
A6.4



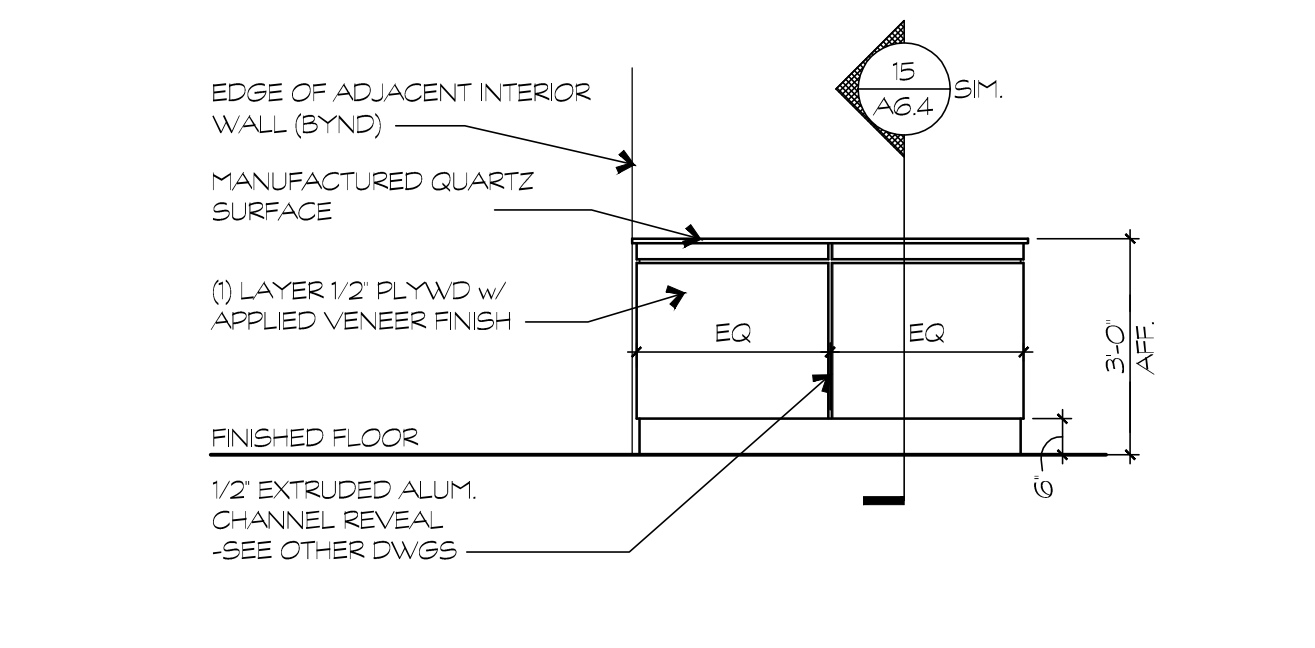
**CASEWORK ELEVATION • LOBBY - 1401**  
3/8" = 1'-0"  
A6.4



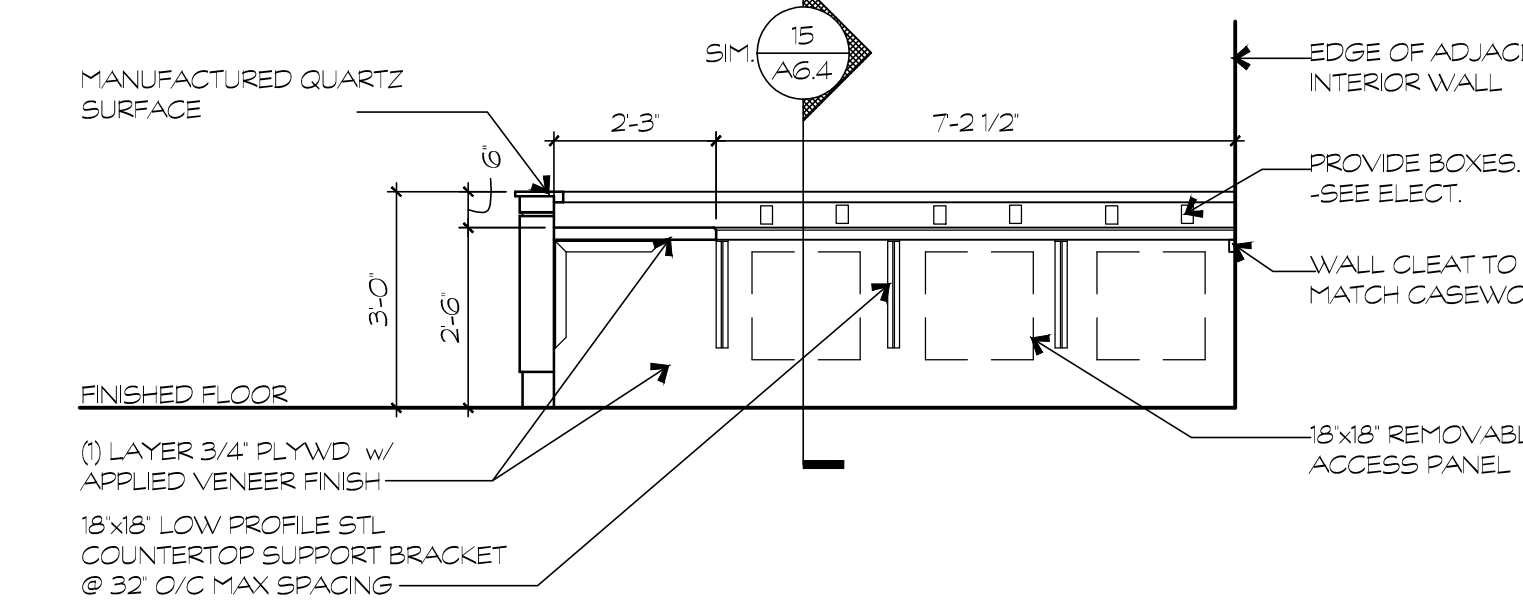
**SECTION • PRESENTATION COUNTER**  
1 1/2" = 1'-0"  
A6.4



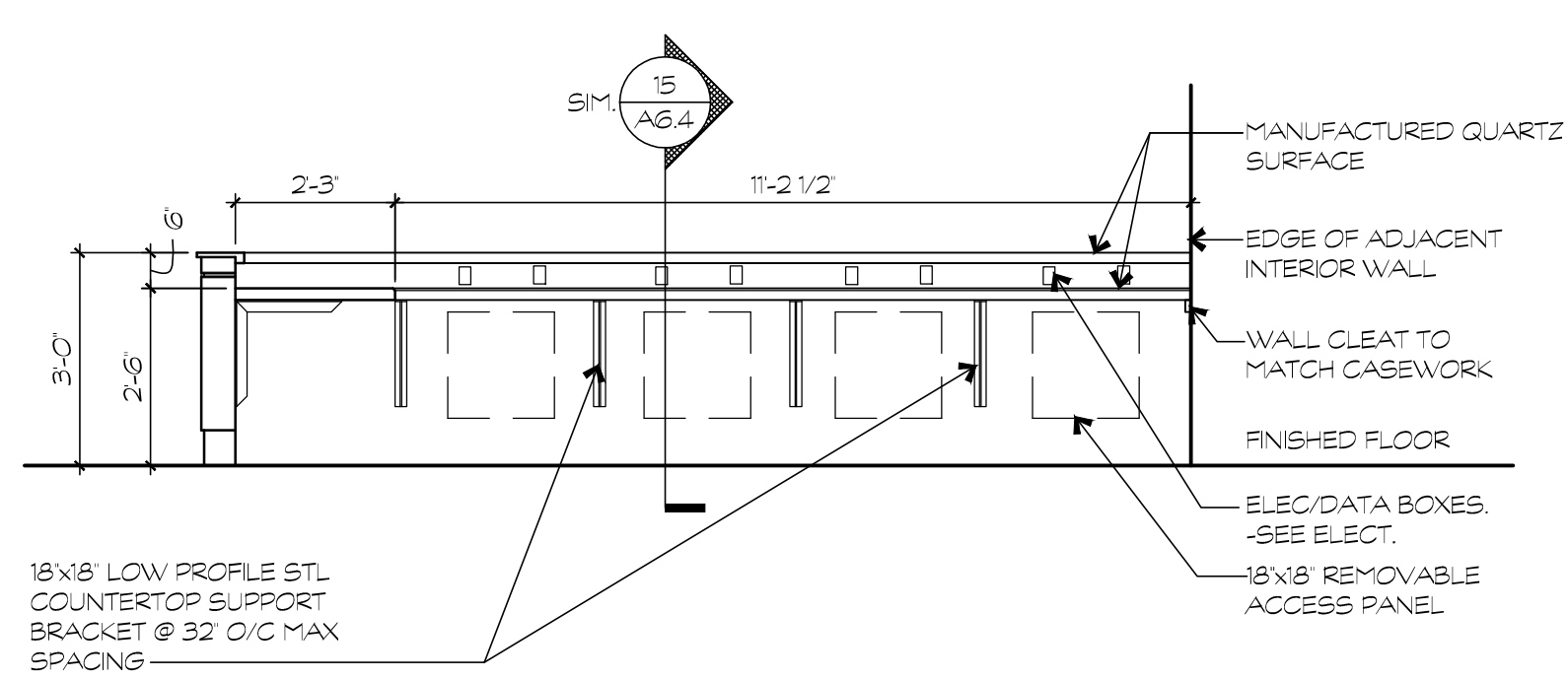
**CASEWORK ELEVATION • RECEPTION - 1201**  
3/8" = 1'-0"  
A6.4



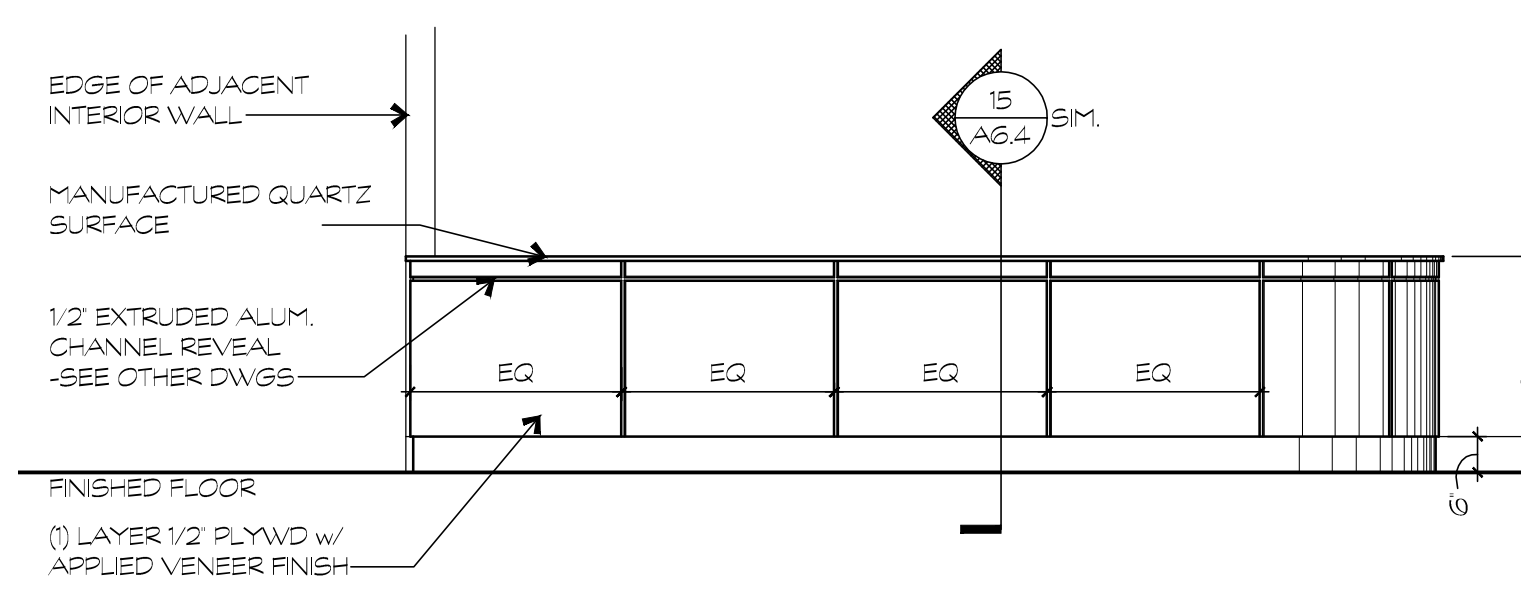
**CASEWORK ELEVATION • RECEPTION - 1201**  
3/8" = 1'-0"  
A6.4



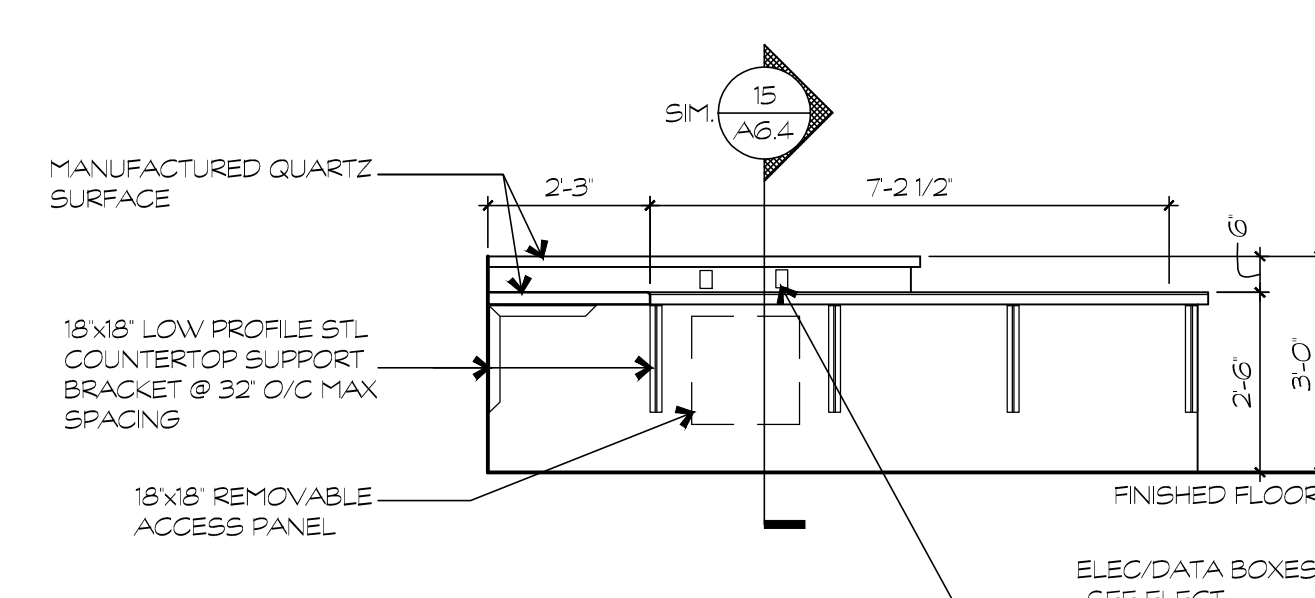
**CASEWORK ELEVATION • RECEPTION - 1201**  
3/8" = 1'-0"  
A6.4



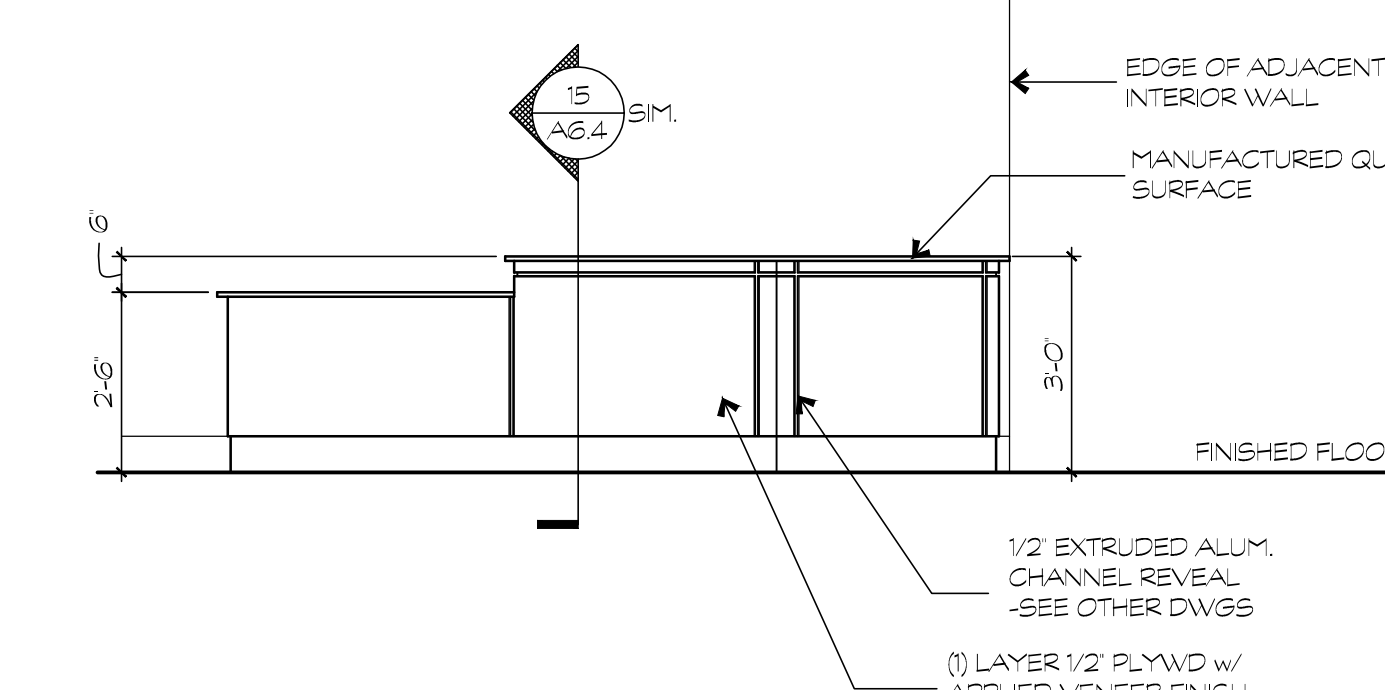
**CASEWORK ELEVATION • RECEPTION - 1102**  
3/8" = 1'-0"  
A6.4



**CASEWORK ELEVATION • RECEPTION - 1102**  
3/8" = 1'-0"  
A6.4



**CASEWORK ELEVATION • SECURITY POST - 1002**  
3/8" = 1'-0"  
A6.4



**CASEWORK ELEVATION • SECURITY POST - 1002**  
3/8" = 1'-0"  
A6.4

DRAWING INTENT IS TO ACCURATELY REFLECT THE DESIGN AND INTENT OF WORK. IT SHALL NOT BE SCALED FOR CONSTRUCTION. CONTRACTOR SHALL VERIFY DIMENSIONS.

DESIGNER HAS PREPARED OR APPROVED THIS DRAWING UNDER THE LAWS OF THE STATE OF MARYLAND. LICENSE No. 8278 EXPIRATION DATE 09/02/14

BUSHEY FEIGHT MORIN ARCHITECTS, INC.  
475 North Paromac Street, Hagerstown, MD 21740  
301-733-5600 Fax 301-733-5602  
E-mail: BFM@BFM-Architects.com  
© copyright 2014 Bushey Feight Morin Architects, Inc.

**BFM**  
BUSHEY FEIGHT MORIN ARCHITECTS, INC.  
WASH. CO. ADMINISTRATION COMPLEX  
FIRST FLOOR RENOVATIONS

BID DOCUMENTS  
INTERIOR ELEVATIONS  
**A6.4**  
OF SHEETS  
DATE: 08.15.14