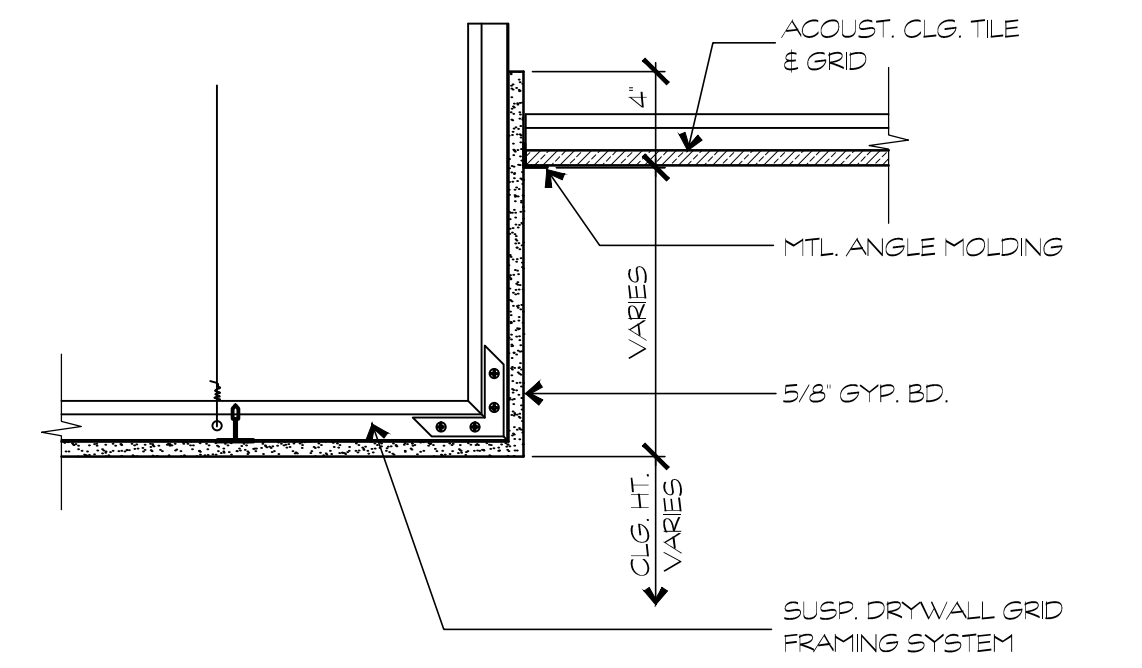
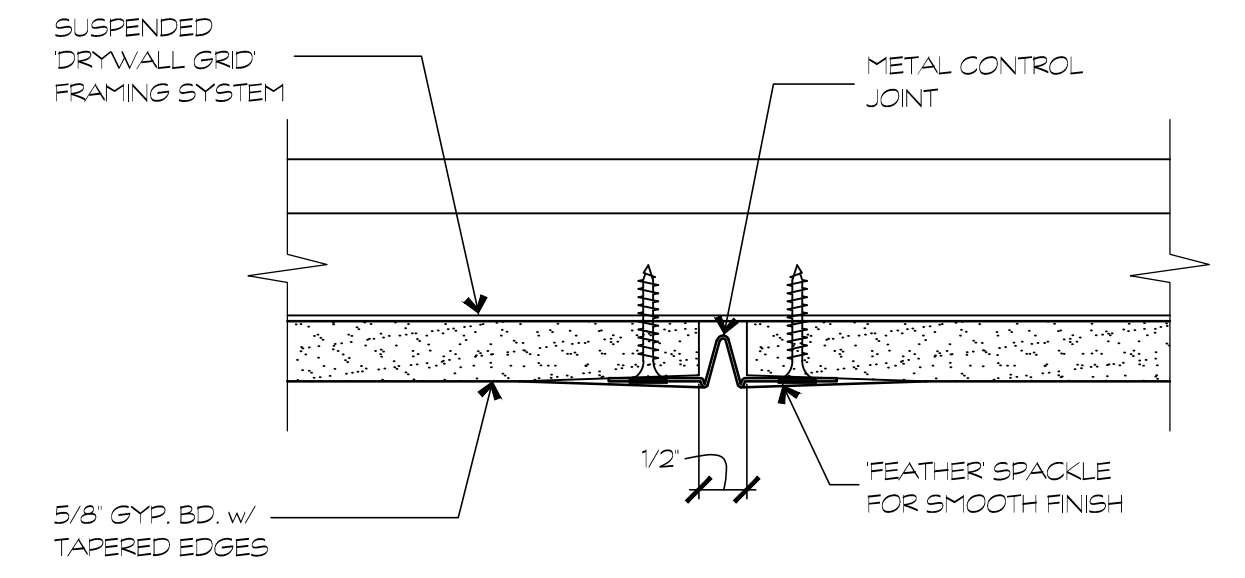


BULKHEAD DETAIL
1 1/2" = 1'-0"
4
A8.1

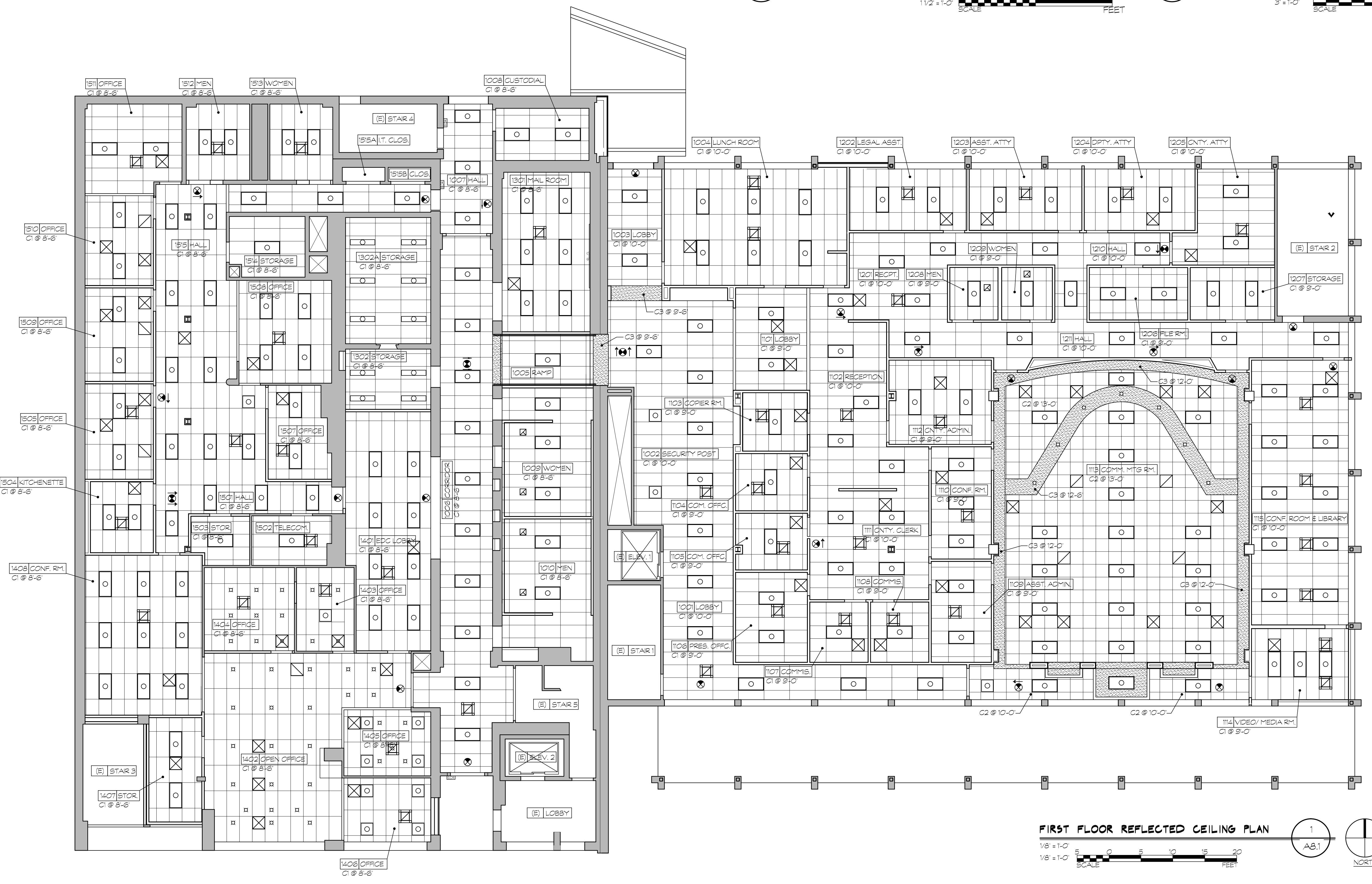


BULKHEAD DETAIL
1 1/2" = 1'-0"
3
A8.1



CEILING CONTROL JT. DETAIL
3" = 1'-0"
2
A8.1

NOTE: LOCATE CONTROL JOINTS EVERY 30 FEET OR AS INDICATED ON THE DRAWINGS IN ACCORDANCE WITH THE GYPSUM CONSTRUCTION HANDBOOK.



FIRST FLOOR REFLECTED CEILING PLAN
1
A8.1
1/8" = 1'-0"
1/8" = 1'-0"
SCALE
0 5 10 15 20
FEET
NORTH

LEGEND	
[#]	ROOM NAME CEILING TYPE/HEIGHT
CJ -	GYP. BOARD CONTROL JOINT
MISCELLANEOUS	
[X]	CEILING MOUNTED PROJECTOR (SEE ELEC.)
LIGHTING	
[O]	2x4 FLUORESCENT LIGHT FIXTURE
[O]	2x4 FLUORESCENT LIGHT FIXTURE (EMERGENCY)
[O]	2x2 FLUORESCENT LIGHT FIXTURE (EMERGENCY)
[O]	1x4 FLUORESCENT LIGHT FIXTURE
[O] OR [O]	DOWN LIGHT
[V]	WALL WASH LIGHT
[V]	TRACK LIGHTING
[O]	WALL MOUNTED LIGHT
[X]	EXIT SIGN - SINGLE SIDED
[X]	EXIT SIGN - DOUBLE SIDED
[Grid]	2 x 4 ACOUSTICAL TILE GRID
[Stippled]	GYP. BD. CLG.
[Hatched]	SOUND BATT INSUL. ABOVE CEILING
MECHANICAL	
[X]	SUPPLY
[X]	RETURN
[X]	EXHAUST

DRAWING IN ACCORDANCE WITH THE GYPSUM CONSTRUCTION HANDBOOK.
CONTRACTOR IS RESPONSIBLE FOR VERIFICATION OF DIMENSIONS.

DESIGNER HAS BEEN PREPARED OR APPROVED BY ME AND THAT I AM A DULY LICENSED ARCHITECT UNDER THE LAWS OF THE STATE OF MARYLAND.
LICENSE No. 8278
EXPIRATION DATE 09/02/14

BUSHEY FEIGHT MORIN ARCHITECTS, INC.
475 North Potomac Street, Washington, MD 20740
301-733-5600 Fax 301-733-5622
E-mail: BFM@BFM-Architects.com
© copyright 2014 Bushey Feight Morin Architects, Inc.

BFM
BUSHEY FEIGHT MORIN ARCHITECTS, INC.
WASH. CO. ADMINISTRATION COMPLEX
FIRST FLOOR RENOVATIONS

BID DOCUMENTS
FIRST FLOOR
REFL. CLG. PLAN
A8.1
OF SHEETS
DATE: 08.15.14