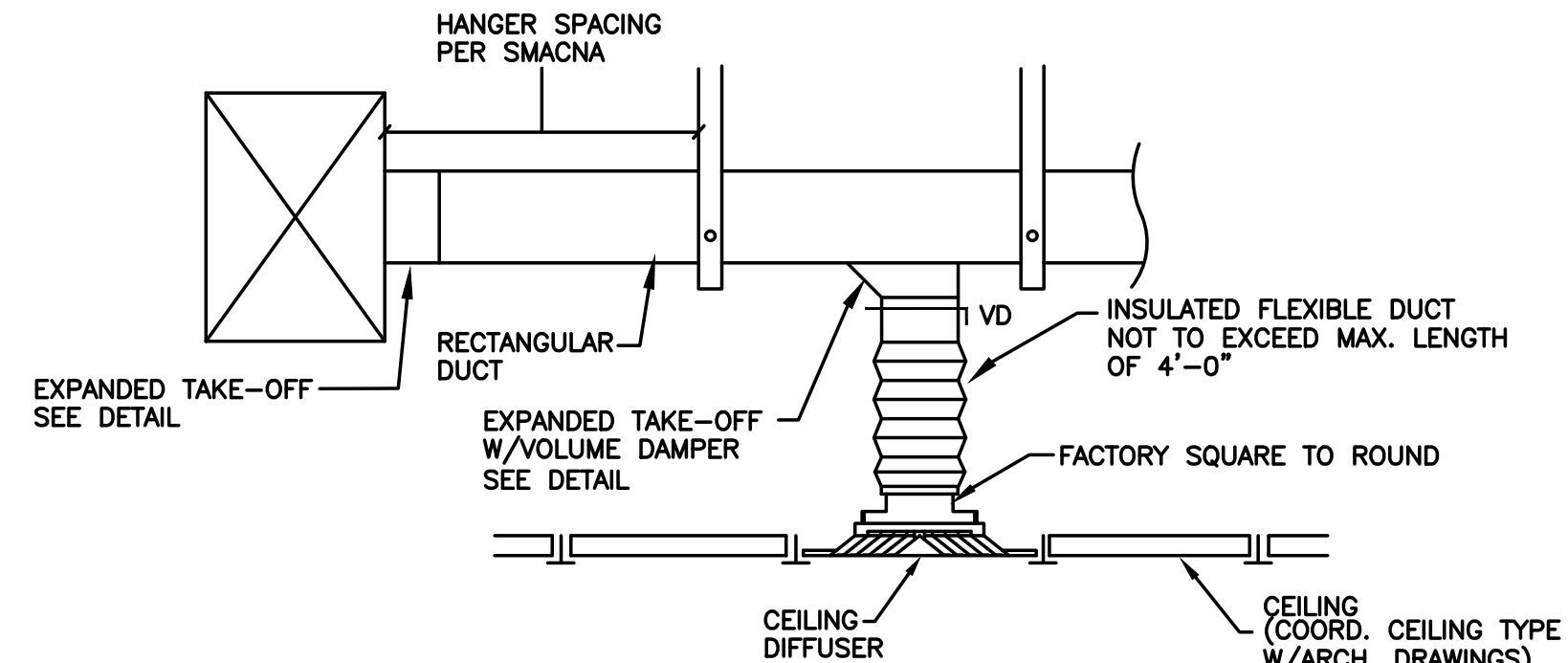
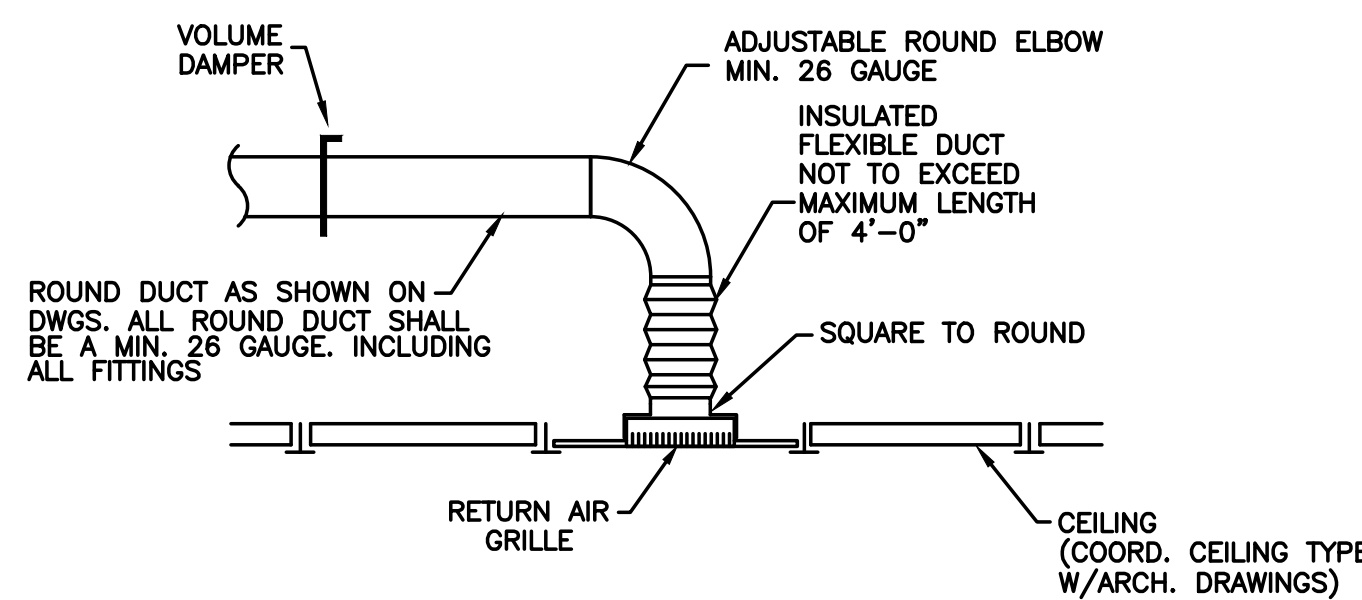


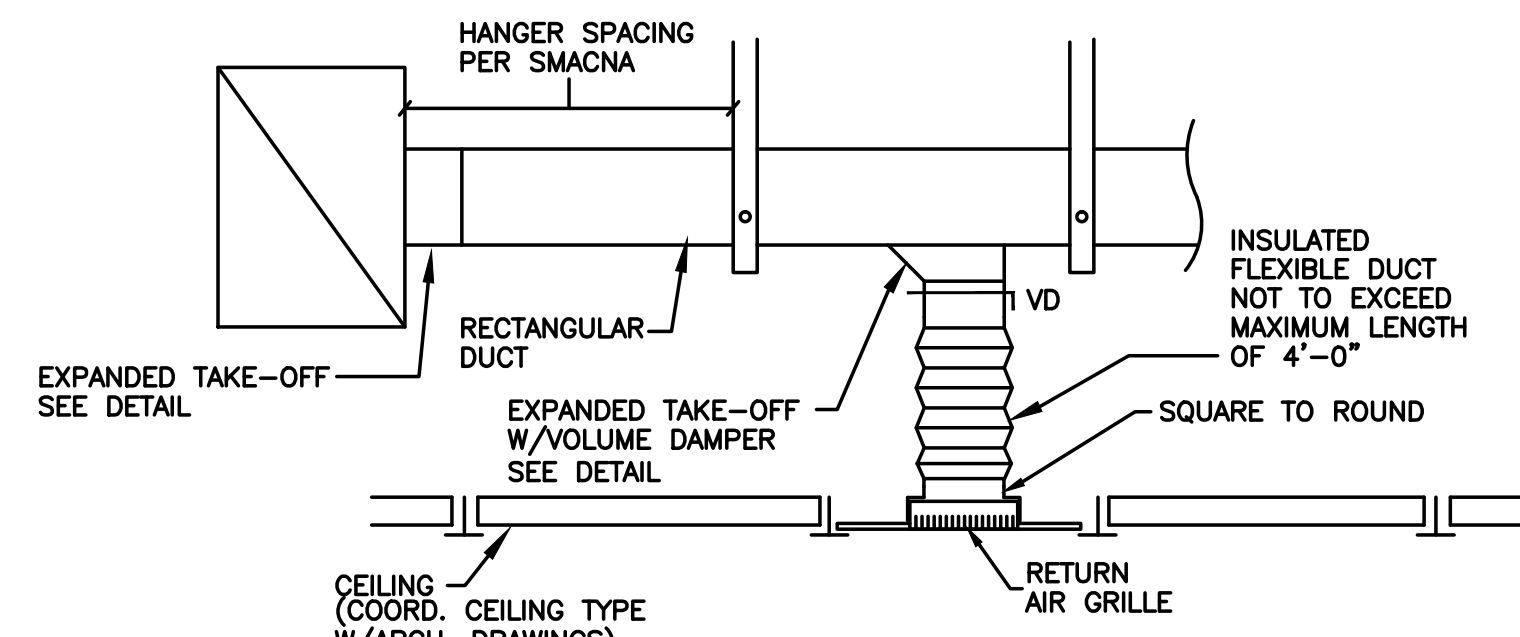
1 FLEXIBLE DUCT DETAIL - SUPPLY
 NO SCALE
 NOTE:1. PAINT ALL DUCTWORK VISIBLE BEHIND AIR DEVICE MATTE BLACK



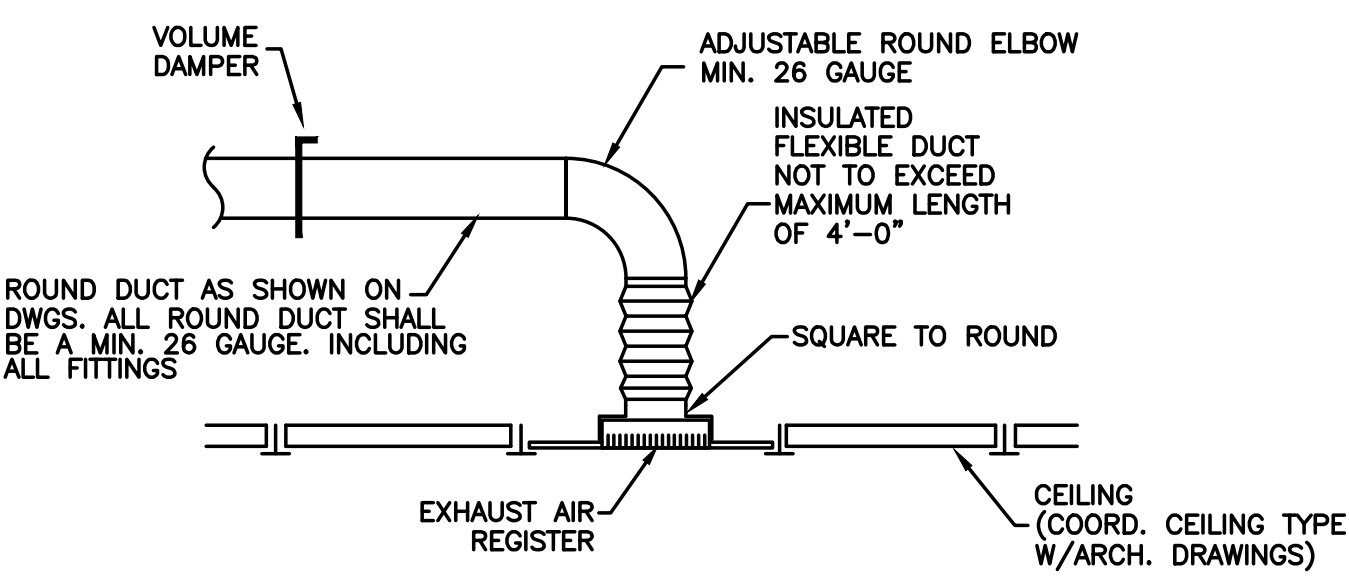
2 FLEXIBLE DUCT DETAIL - SUPPLY
 NO SCALE
 NOTE:1. PAINT ALL DUCTWORK VISIBLE BEHIND AIR DEVICE MATTE BLACK



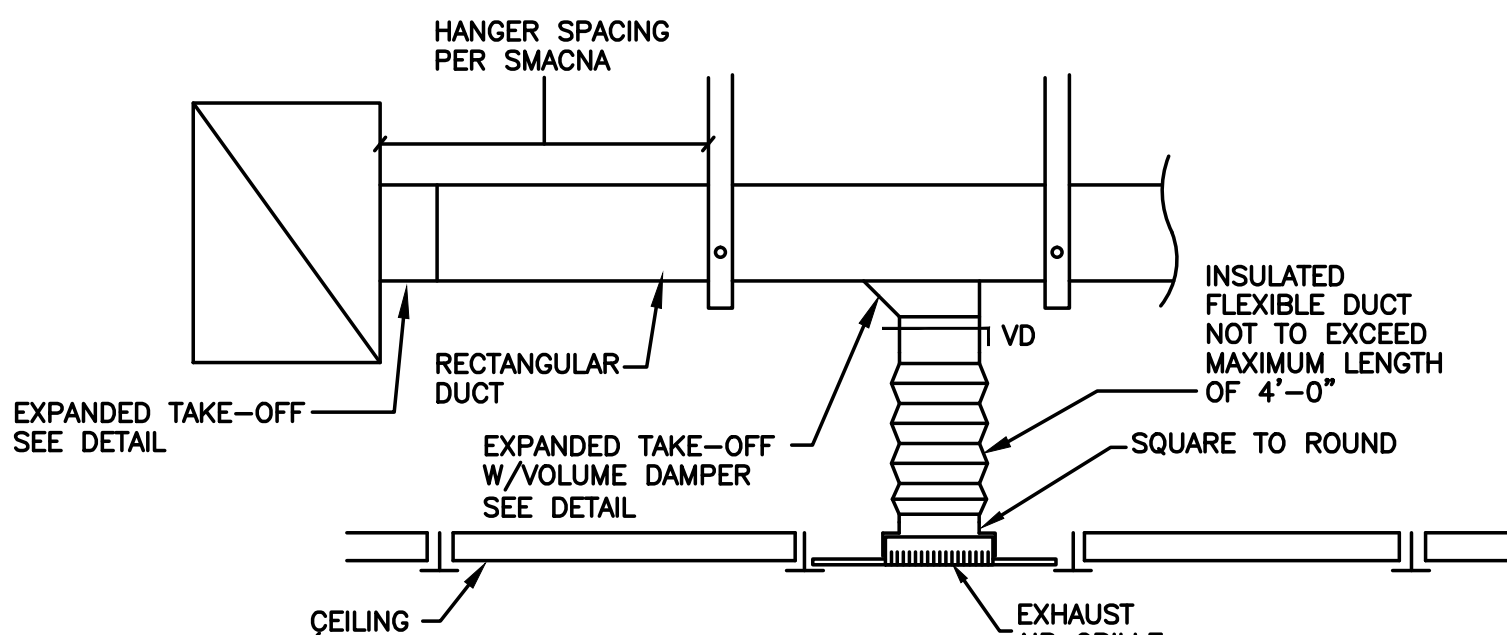
3 FLEXIBLE DUCT DETAIL - RETURN
 NO SCALE
 NOTE:1. PAINT ALL DUCTWORK VISIBLE BEHIND AIR DEVICE MATTE BLACK



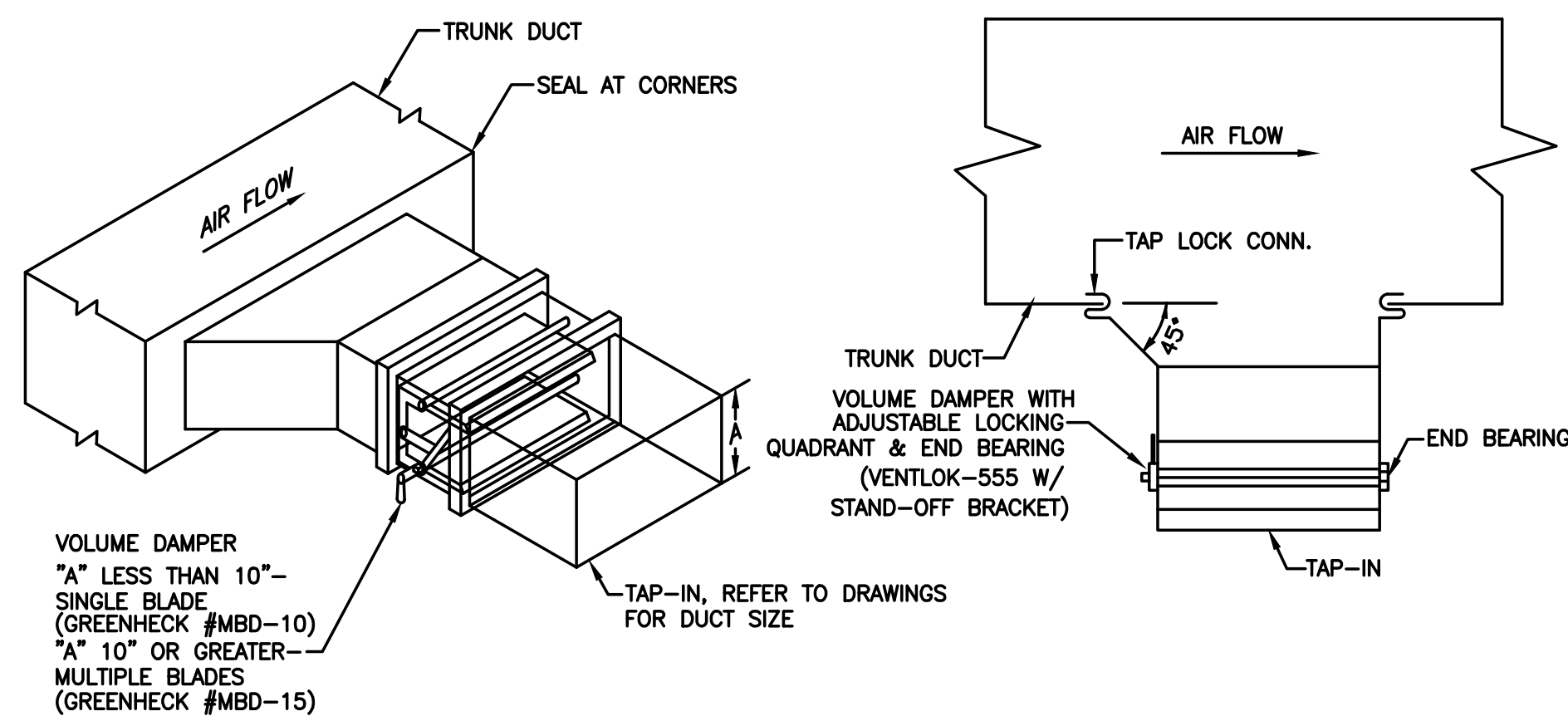
4 FLEXIBLE DUCT DETAIL - RETURN
 NO SCALE
 NOTE:1. PAINT ALL DUCTWORK VISIBLE BEHIND AIR DEVICE MATTE BLACK



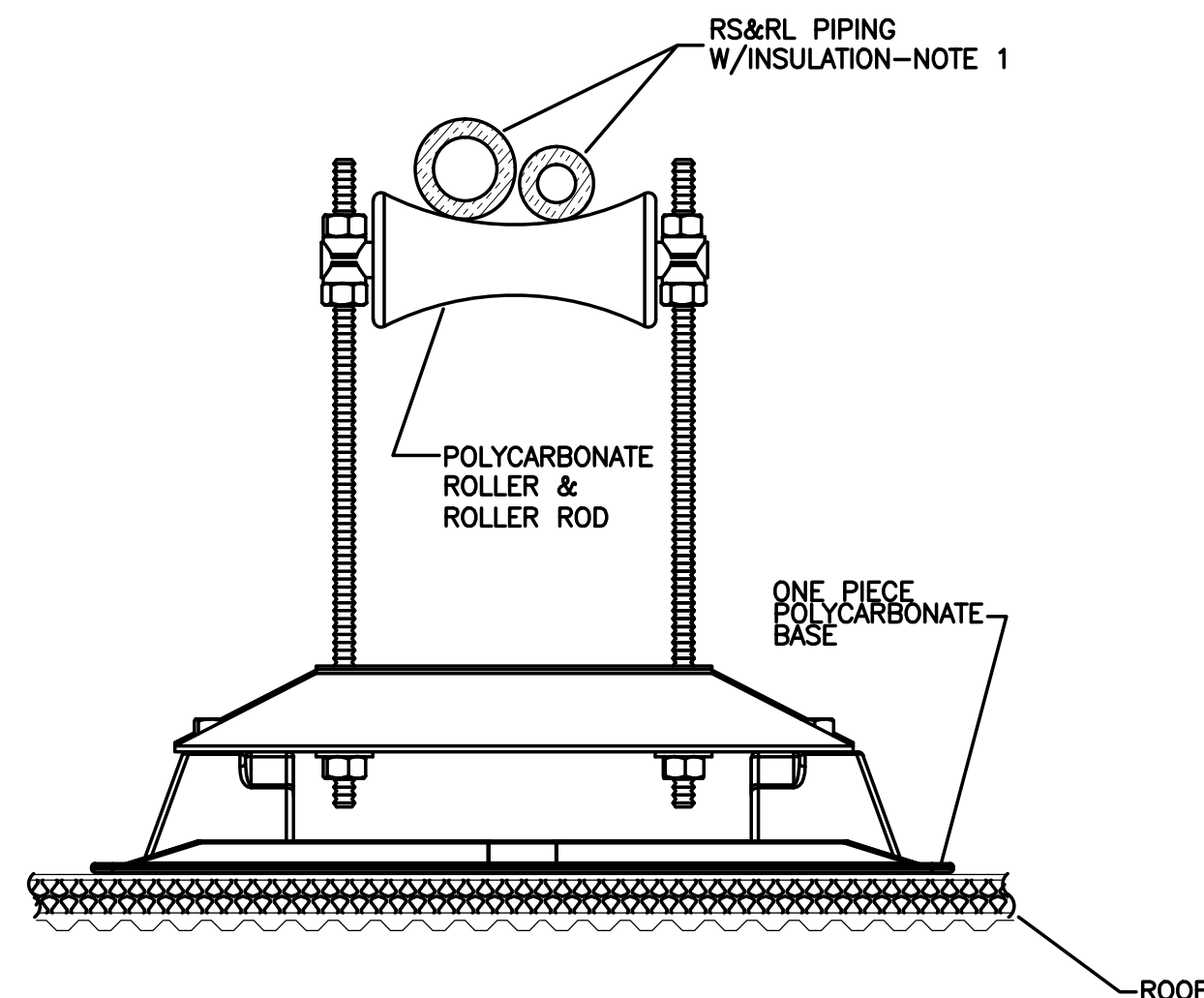
5 FLEXIBLE DUCT DETAIL - EXHAUST
 NO SCALE
 NOTE:1. PAINT ALL DUCTWORK VISIBLE BEHIND AIR DEVICE MATTE BLACK



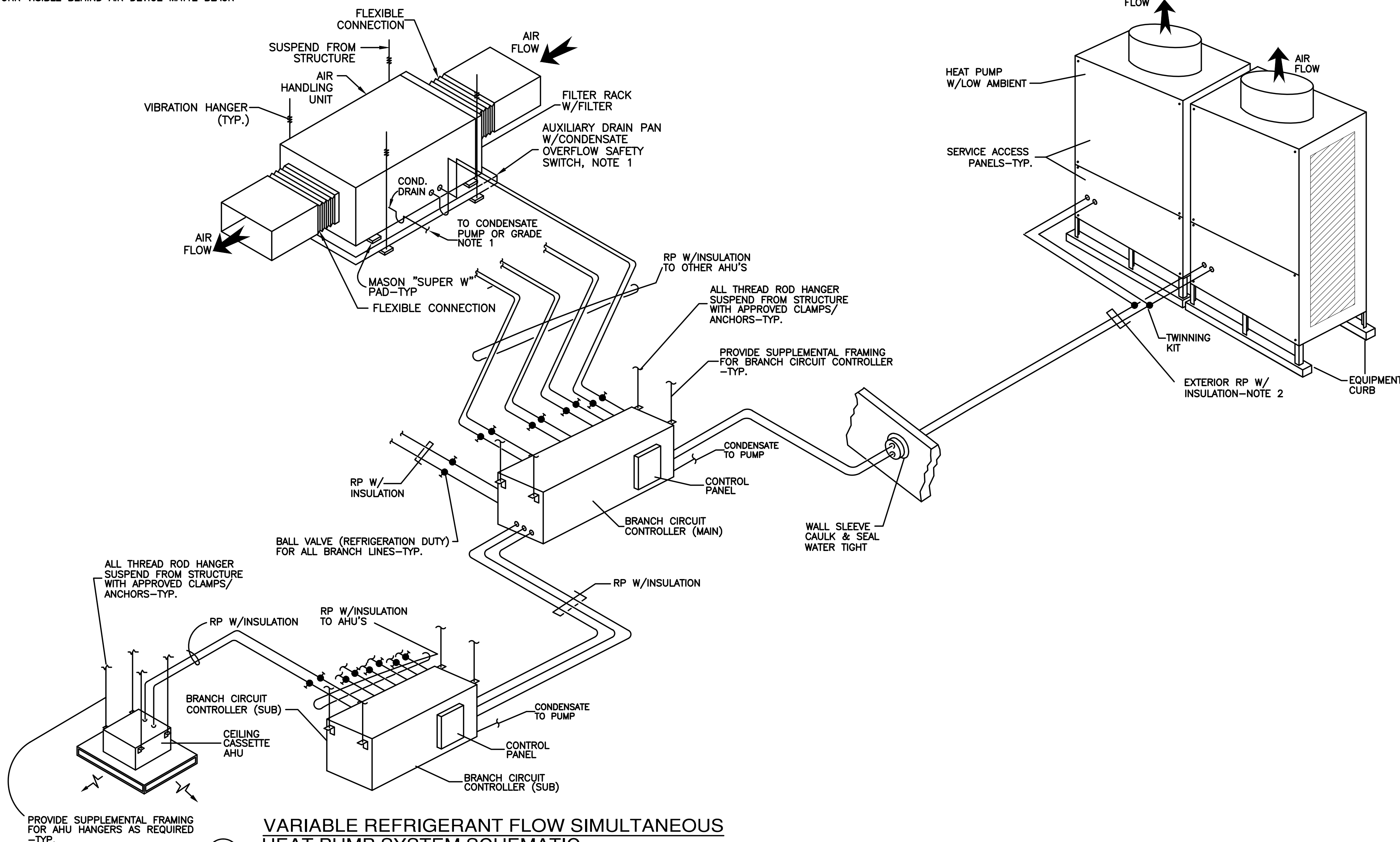
6 FLEXIBLE DUCT DETAIL - EXHAUST
 NO SCALE
 NOTE:1. PAINT ALL DUCTWORK VISIBLE BEHIND AIR DEVICE MATTE BLACK



7 TYPICAL RECTANGULAR EXPANDED TAKE-OFF DETAIL
 NO SCALE
 GENERAL NOTE: A. ALL TAKE-OFFS SHALL BE THE EXPANDED TYPE AS DETAILED. SEE DRAWINGS FOR VOLUME DAMPER LOCATIONS.



9 REFRIGERANT PIPE SUPPORT
 NO SCALE
 GENERAL NOTE: A. ALL METAL PARTS SHALL BE CONSTRUCTED FROM STAINLESS STEEL.
 B. MIRO INDUSTRIES-"RAH-12" SERIES OR APPROVED EQUAL.
 DRAWING NOTE: 1. ALL EXTERIOR RP SHALL BE COVERED WITH VENTURE CLAD VENTURE CLAD 1577CW JACKETING SYSTEM OR APPROVED EQUAL.



8 VARIABLE REFRIGERANT FLOW SIMULTANEOUS HEAT PUMP SYSTEM SCHEMATIC
 NO SCALE
 NOTE 1: PROVIDE LITTLE GIANT MODEL #LC-310 THAT SHALL SHUT-OFF UNIT AND SIGNAL AUDIBLE/VISUAL ALARM.
 2. ALL EXTERIOR RP SHALL BE COVERED WITH VENTURE CLAD 1577CW JACKETING SYSTEM BY VENTURE TAPE OR APPROVED EQUAL.

RHL
 RHL ENGINEERING COMPANY, INC.
 3 West Second Street
 Frederick, Md. 21701
 OFFICE: (301) 695-9424
 FAX: (301) 293-6338
 E-mail: rhlengr@rhlengr.com

Professional Certification. I hereby certify that these documents were prepared or approved by me, and that I am a duly licensed professional engineer under the laws of the State of Maryland. License No: 95511 Expiration Date: 06/03/2016

BUSHEY FEIGHT MORIN ARCHITECTS INC.
 473 North Potomac Street, Hagerstown, Md 21740
 301-733-5600 Fax 301-733-5612
 E-mail: BFM@BFMArchitects.com

copyright 2014, Bushey Feight Morin Architects, Inc.

BFM
 BFM No. 14028 WASH. CO. ADMINISTRATION COMPLEX
 RHL No. 13208 FIRST FLOOR RENOVATIONS

BID DOCUMENTS
 DETAILS-HVAC
M2.1
 7 OF 12 SHEETS
 DATE : 08.15.14