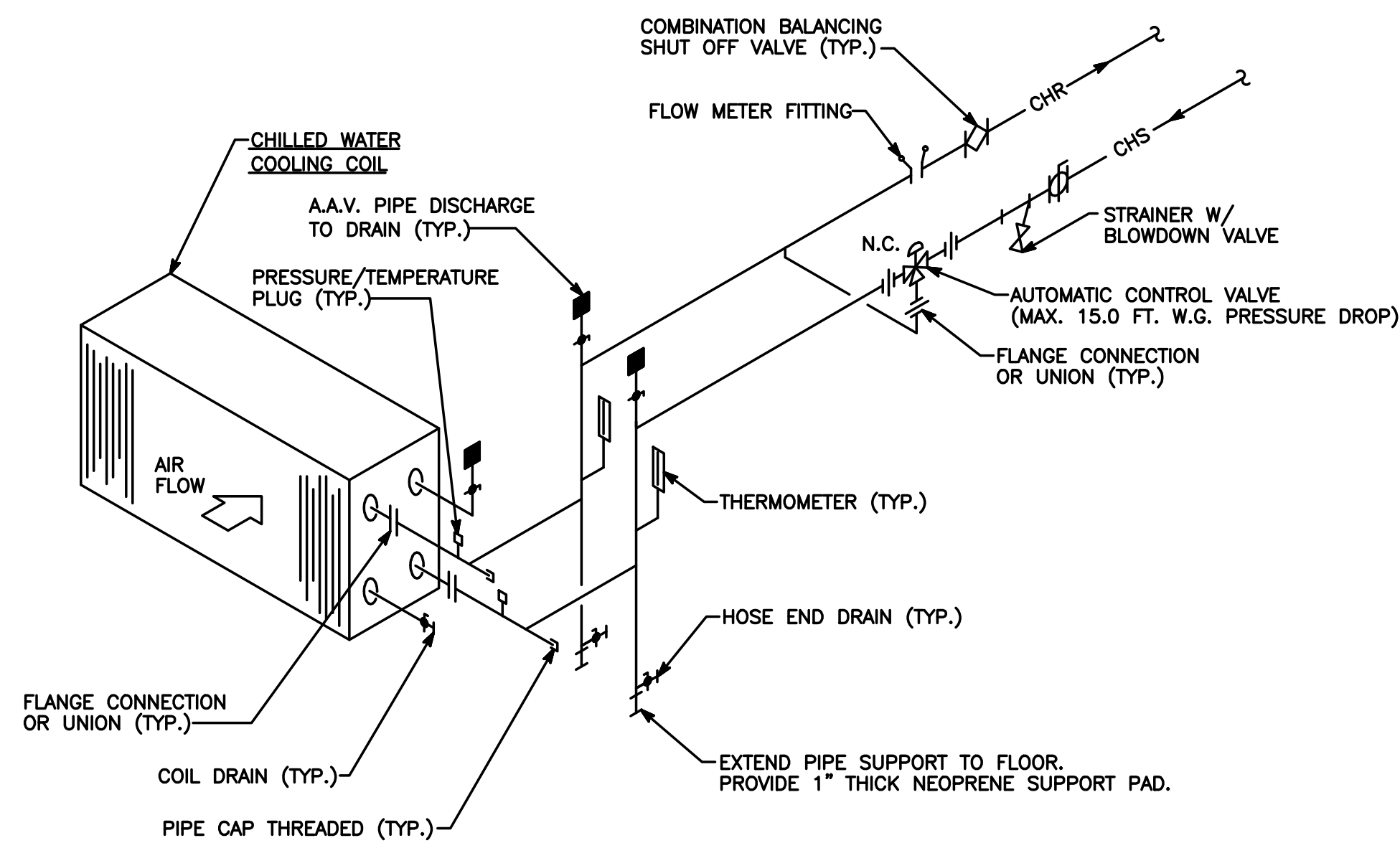
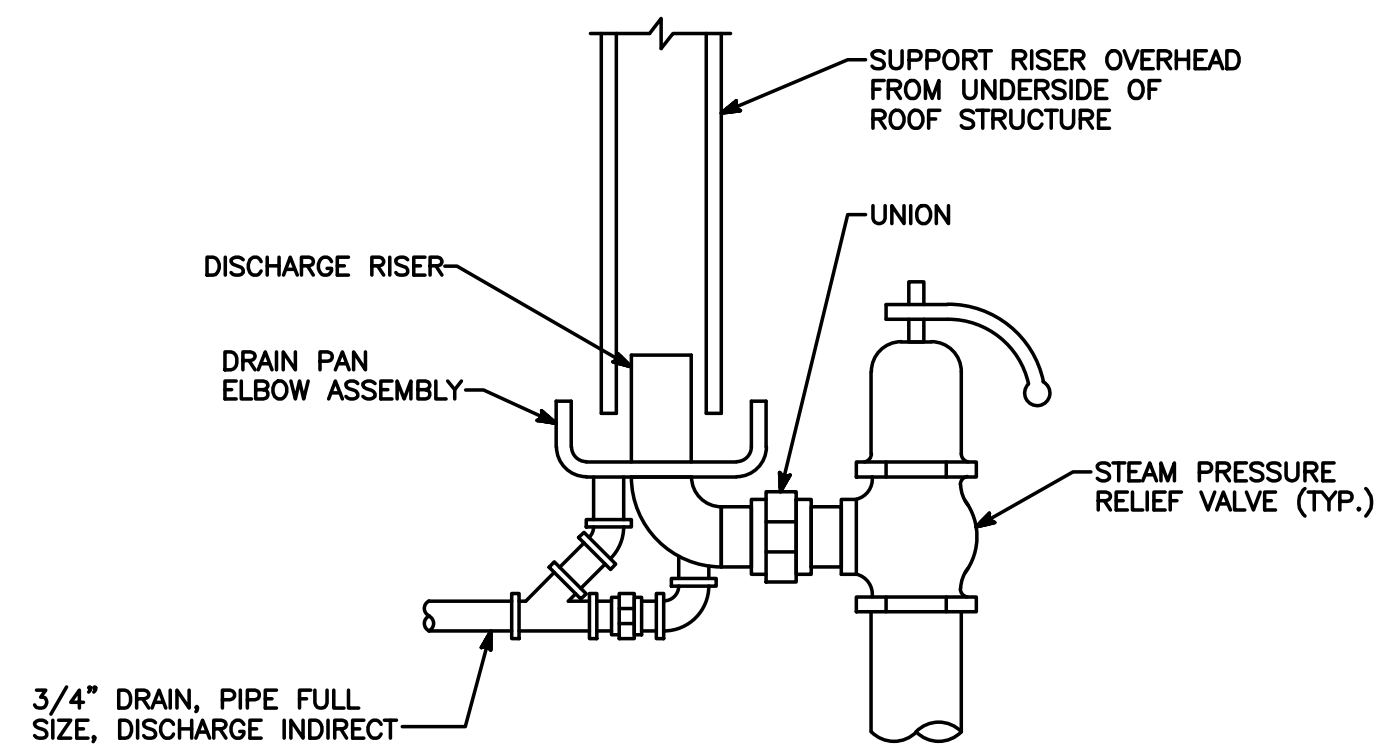


1
M2.2
PIPING DETAIL - PREHEAT COIL
NOT TO SCALE

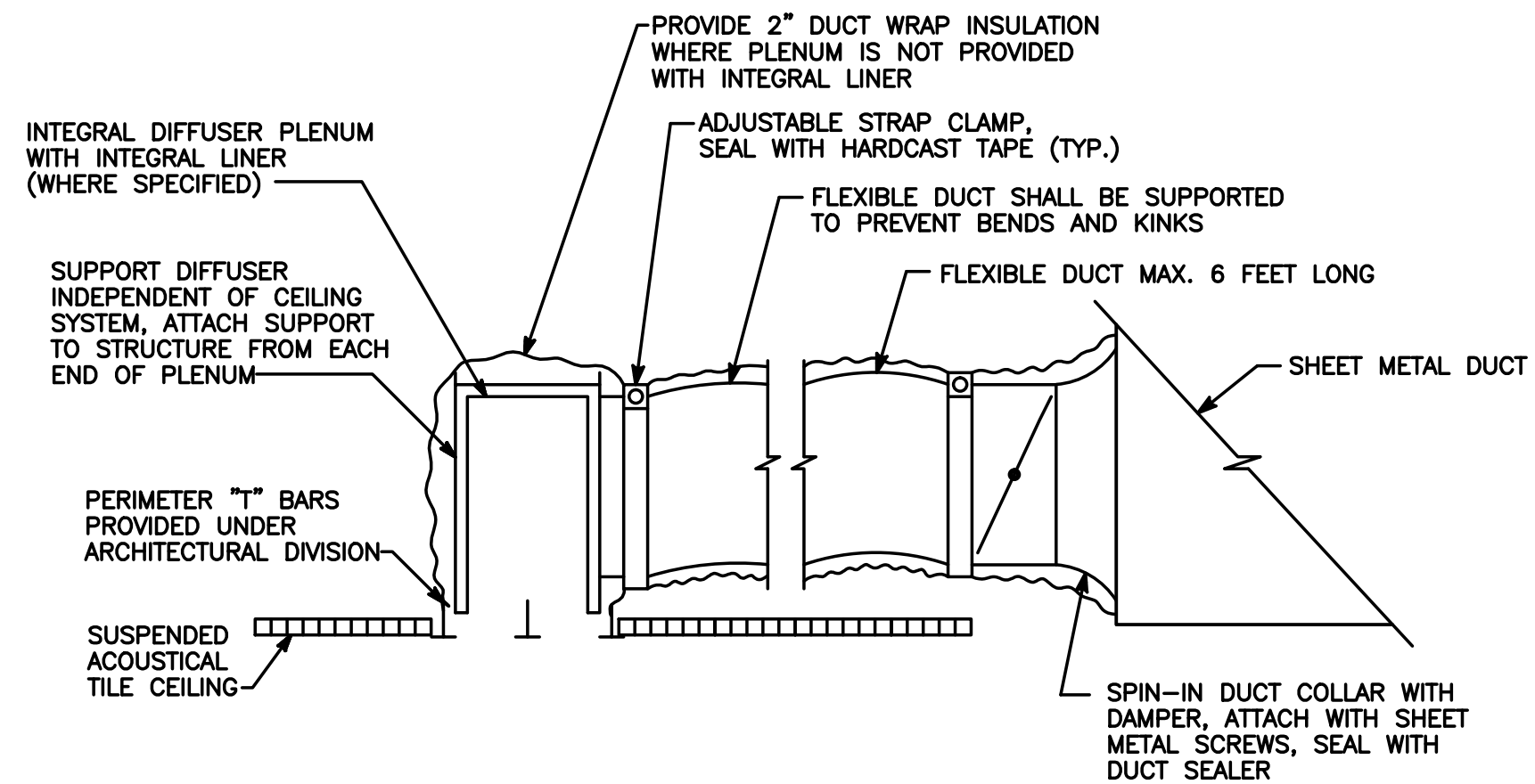
- NOTES:
1. ARRANGE PIPING AND UNIONS TO ENABLE COIL REMOVAL.
 2. REFER TO SPECIFICATIONS FOR VALVE OPTIONS.
 3. COORDINATE CONTROL VALVE INSTALLATION WITH A.T.C. CONTRACTOR.



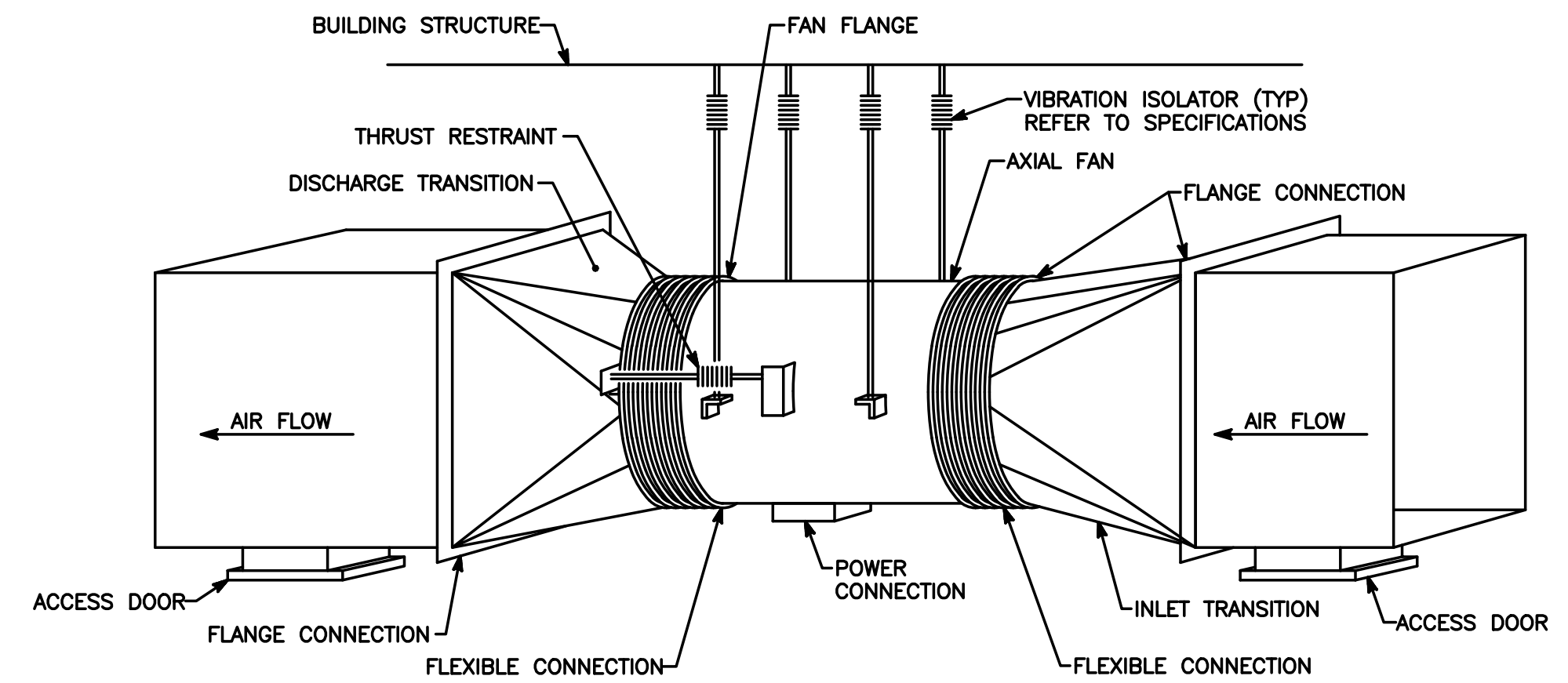
4
M2.2
PIPING DETAIL - CHILLED WATER COOLING COIL - SINGLE COIL
NOT TO SCALE



6
M2.2
PIPING DETAIL - DRIP PAN ELBOW
NOT TO SCALE



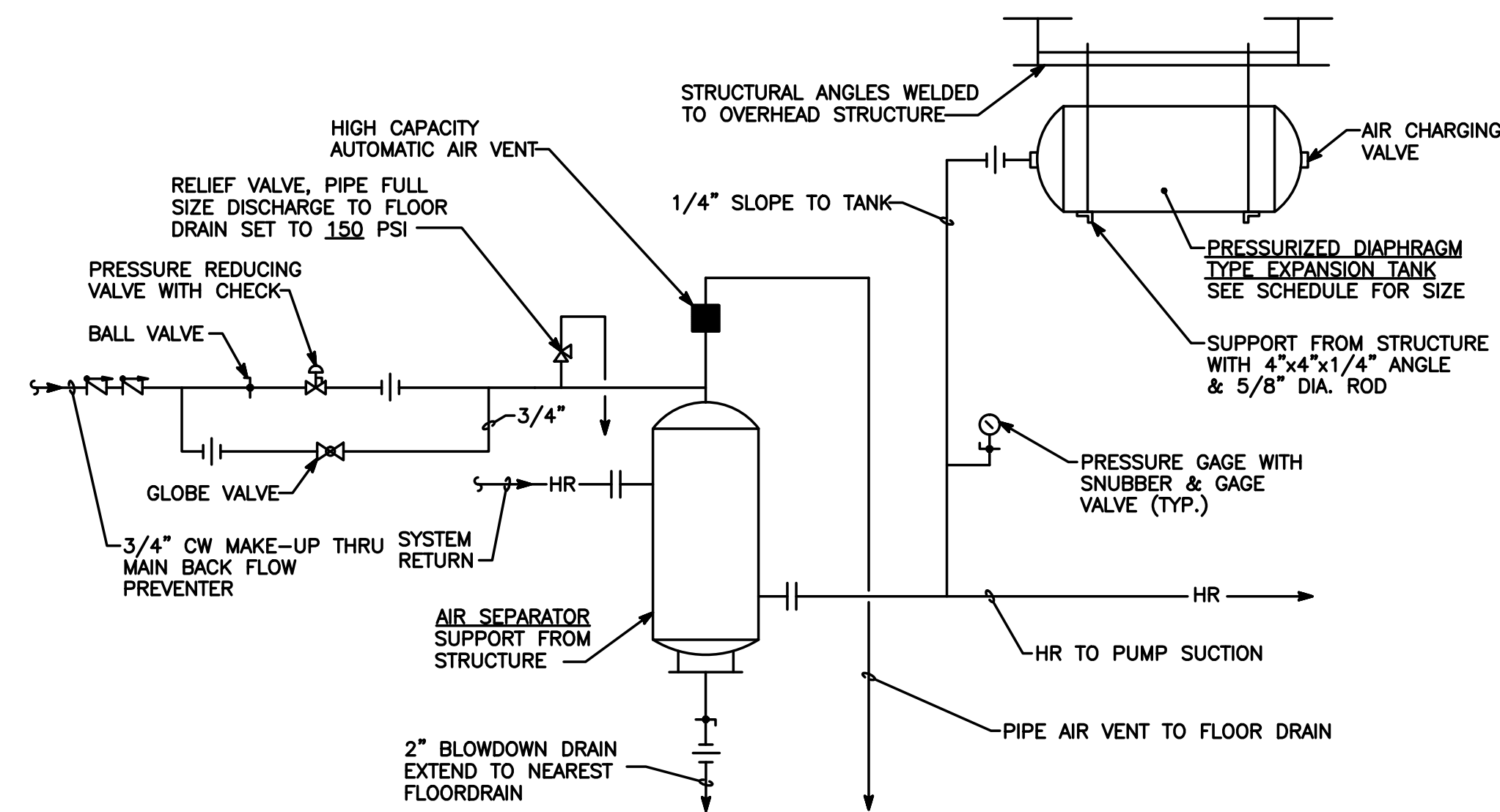
2
M2.2
DETAIL - SLOT DIFFUSER SECTION
NOT TO SCALE



3
M2.2
DETAIL - INLINE AXIAL FAN SUPPORT - ARRANGEMENT 4
NOT TO SCALE

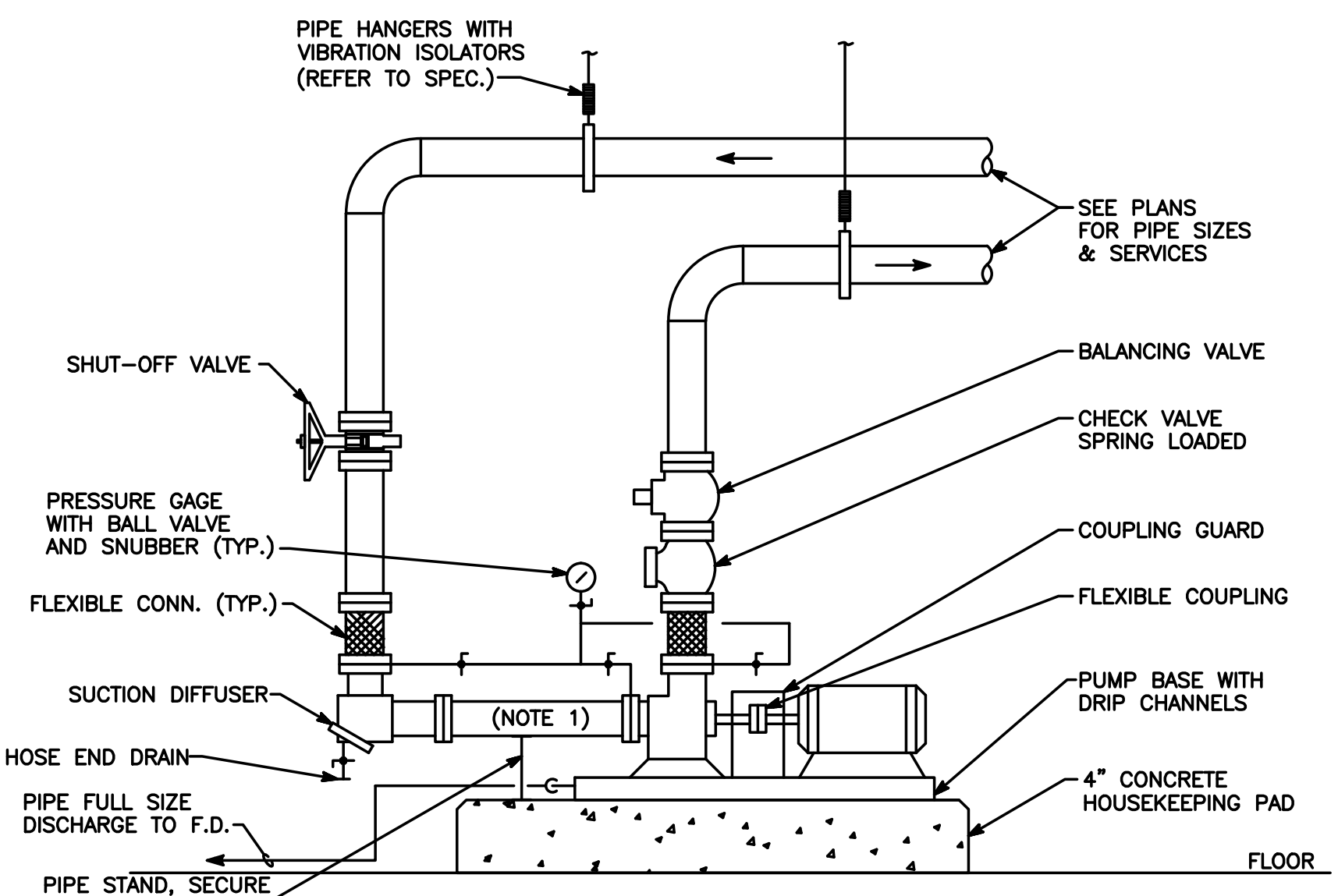
DESIGN GUIDE NOTES:

- (1) IF VOLUPROBES ARE REQUIRED, YOU MUST USE AN INLET BELL, THIS MAKES THE DUCTED ARRANGEMENT DIFFICULT.
- (2) WHEN ROUND DUCTWORK IS USED, INLET AND DISCHARGE CONES WOULD BE USED IN LIEU OF THE TRANSITIONS. REFER TO THAT DETAIL.
- (3) DURING DESIGN, MAKE SURE THAT THE FAN CAN BE LOWERED FOR FUTURE MOTOR REPLACEMENT.
- (4) FOR LARGE FANS HAVE STEEL SUPPORT SIZED BY PROJECT STRUCTURAL ENGINEERS.
- (5) ROUTE POWER CONDUIT TO MOTOR CONNECTION WITH "SEAL TIGHT" FLEXIBLE CONDUIT. ROUTE CONDUIT TO ENABLE FUTURE FAN REMOVAL.



5
M2.2
PIPING DETAIL - EXPANSION TANK HOT WATER HEATING SYSTEM
NOT TO SCALE

- NOTES:
1. AT CONTRACTORS OPTION THE DIAPHRAGM EXPANSION TANK CAN BE FLOOR MOUNTED.



7
M2.2
DETAIL - BASE MOUNTED END SUCTION PUMP
NOT TO SCALE

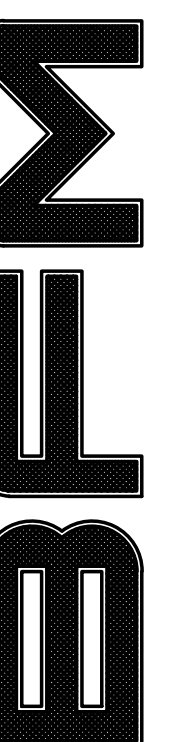
- NOTES:
1. AT CONTRACTORS OPTION PROVIDE STRAIGHT INLET OF PIPING, MINIMUM 5 PIPE DIAMETER, TO PUMP SUCTION IN LIEU OF SUCTION DIFFUSER.



RHL ENGINEERING COMPANY, INC.
3 West Second Street
Frederick, Md. 21701
OFFICE: (301) 695-9424
FAX: (301) 293-6338
E-mail: rhlengr@rhlengr.com

Professional Certification. I hereby certify that these documents were prepared or approved by me, and that I am a duly licensed professional engineer under the laws of the State of Maryland. License No: 65511 Expiration Date: 06/03/2016

BUSHEY FEIGHT MORIN ARCHITECTS INC.
473 North Potomac Street, Hagerstown, Md 21740
301-733-5600 Fax 301-733-5612
E-mail: BFM@BFMArchitects.com



copyright 2014, Bushey Feight Morin Architects, Inc.
BUSHEY FEIGHT MORIN ARCHITECTS INC.
ADMINISTRATION COMPLEX
RHL No. 14028 WASH. CO. ADMINISTRATION COMPLEX
RHL No. 13208 FIRST FLOOR RENOVATIONS

BID DOCUMENTS

DETAILS-HVAC
M2.2
8 OF 12 SHEETS
DATE : 08.15.14