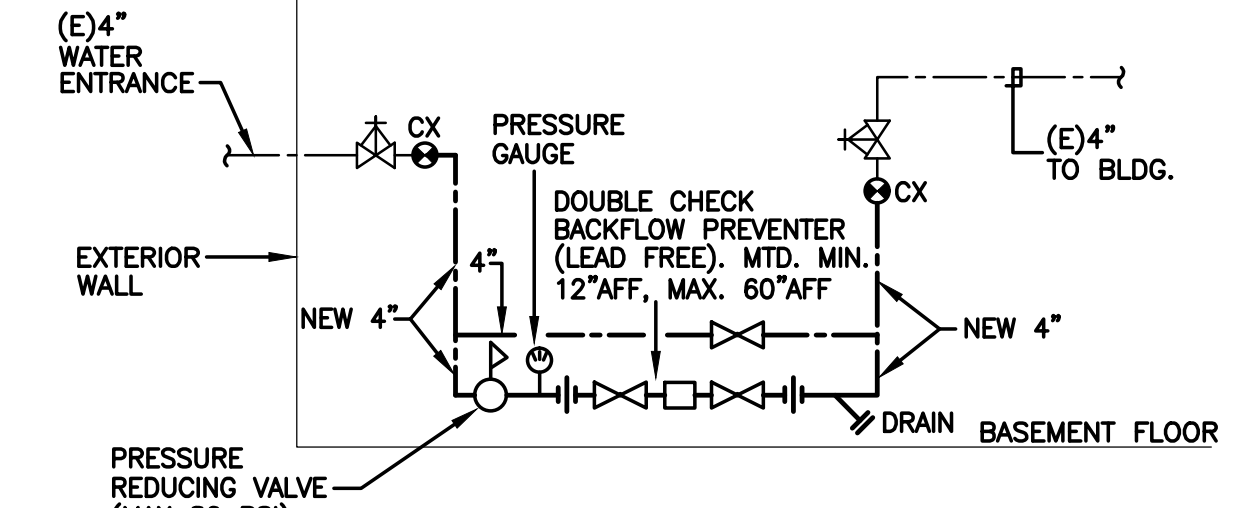
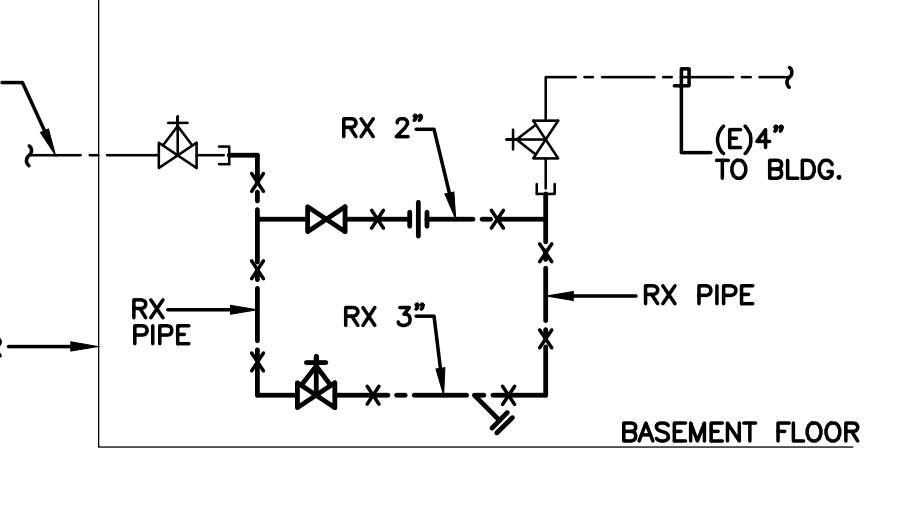
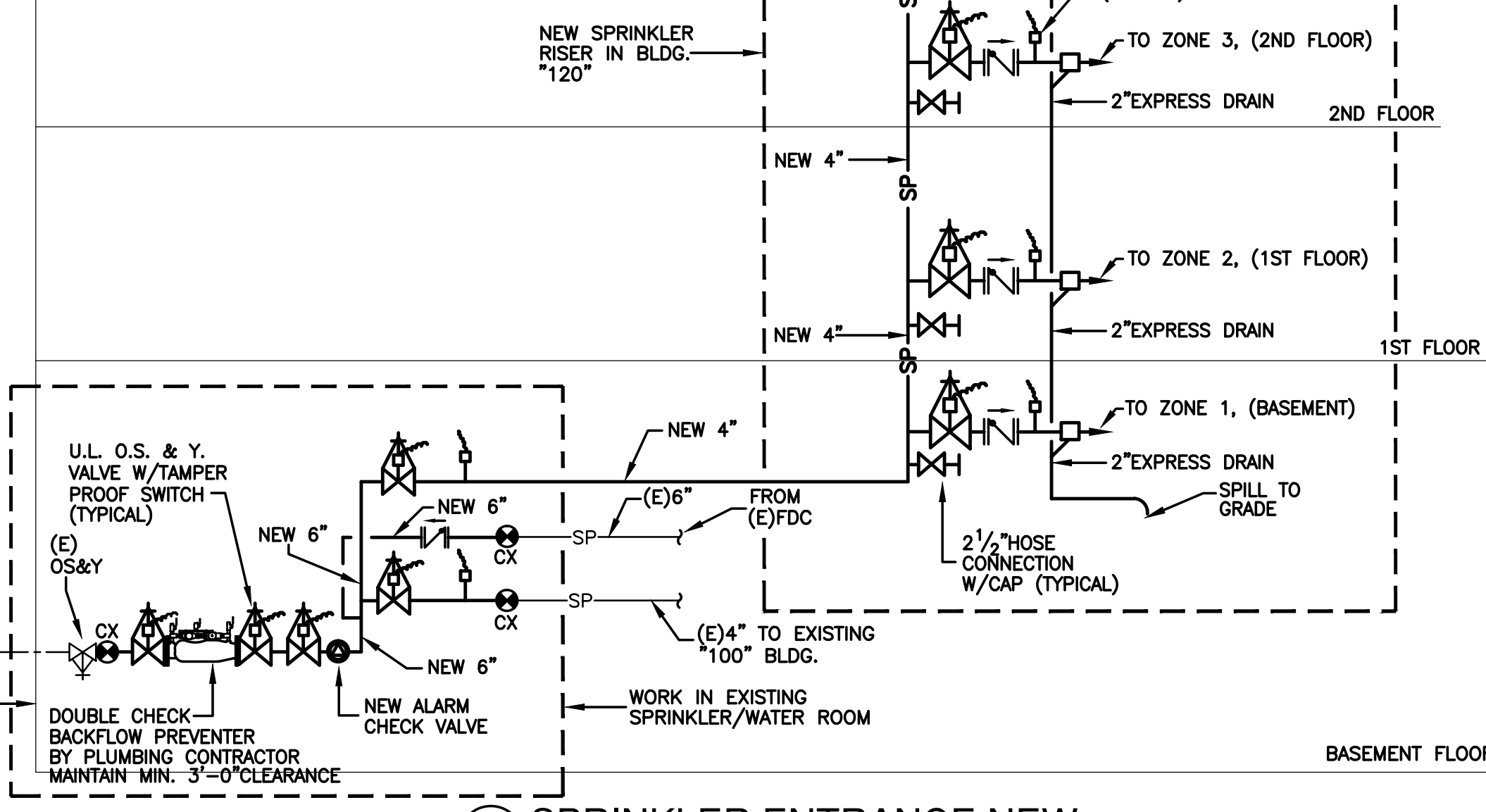
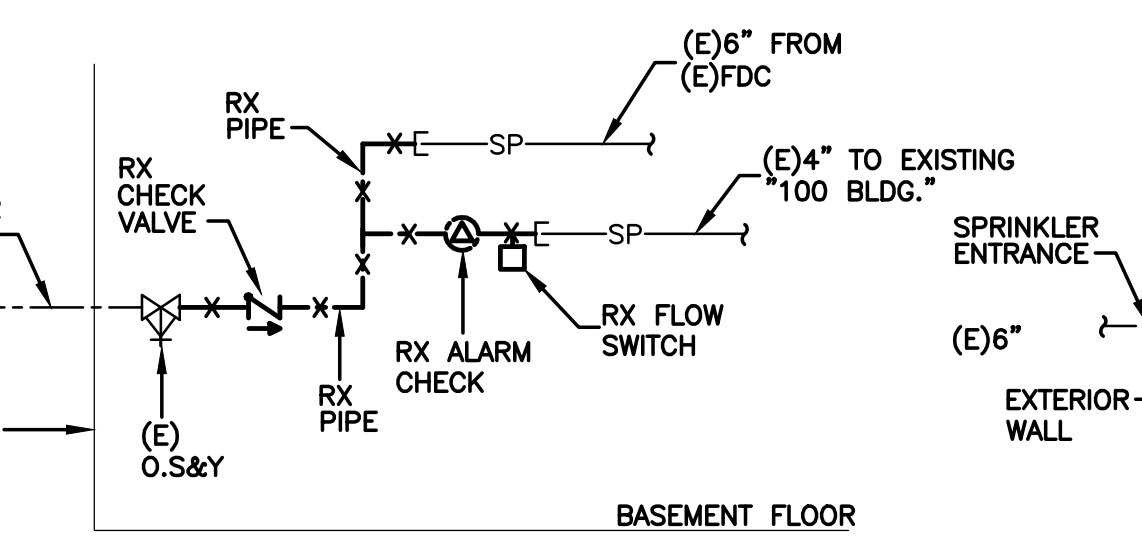
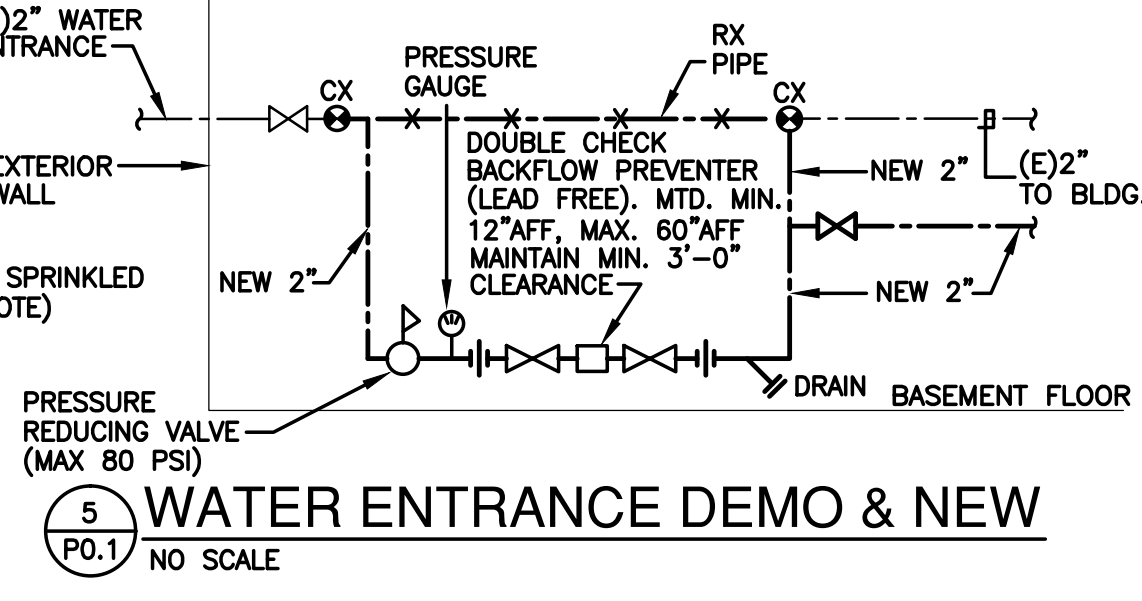


BASEMENT FLOOR PLAN DEMO/NEW - PIPING
 SCALE: 1/8"=1'-0"

SPRINKLER SYSTEM NOTE
 NOTE: REVISE/EXTEND EXISTING SPRINKLER PIPE SYSTEM, MODIFY, RELOCATE PIPE, ADD HEADS AS NECESSARY TO ACCOMMODATE NEW TENANT WALL LAYOUT AS REQUIRED. PROVIDE SPRINKLER DRAWING TO FIRE MARSHAL, INSTALL PER NFPA 13 AND COORDINATE INSTALLATION WITH LOCAL FIRE MARSHAL. BLDG 120 TO RECEIVE NEW SPRINKLER ZONE FOR ALL FLOORS, BLDG 100 IS EXISTING TO BE MODIFIED.



1 WATER ENTRANCE DEMO
 NO SCALE

2 WATER ENTRANCE NEW
 NO SCALE

3 SPRINKLER ENTRANCE DEMO
 NO SCALE

4 SPRINKLER ENTRANCE NEW
 NO SCALE

SPRINKLER FLOW DATA (EXISTING PLACARD)
 STATIC: 65
 RESIDUAL: 60

