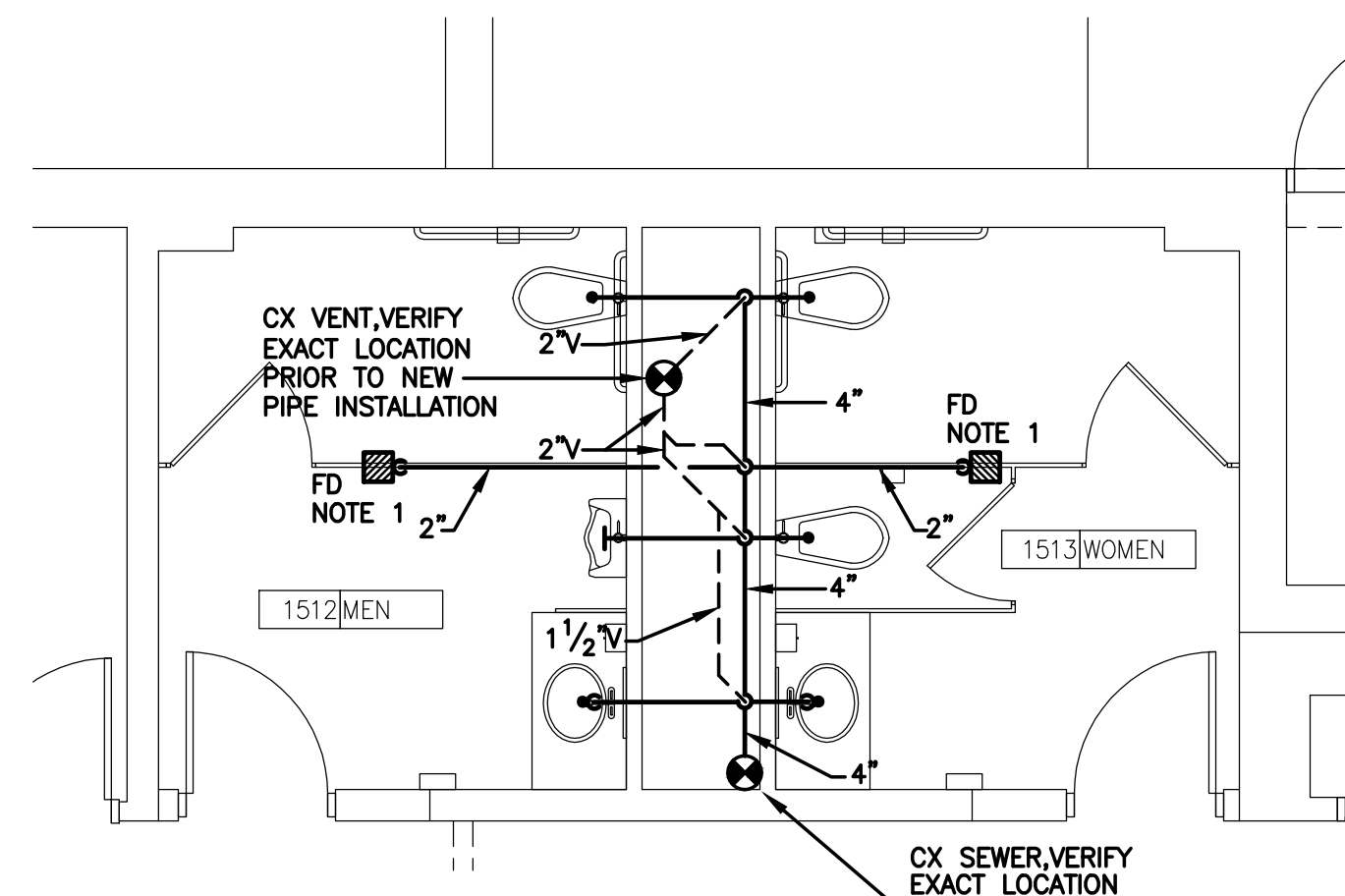
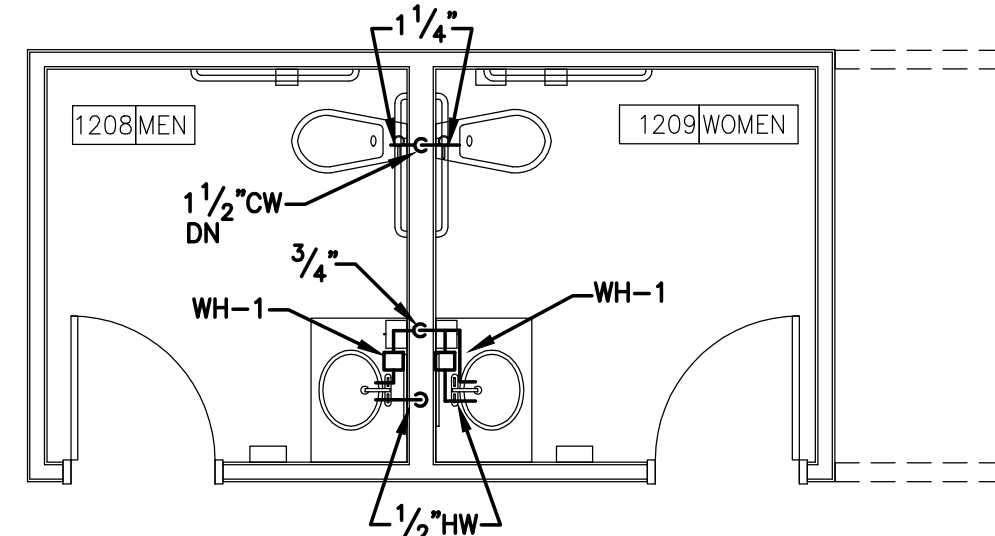


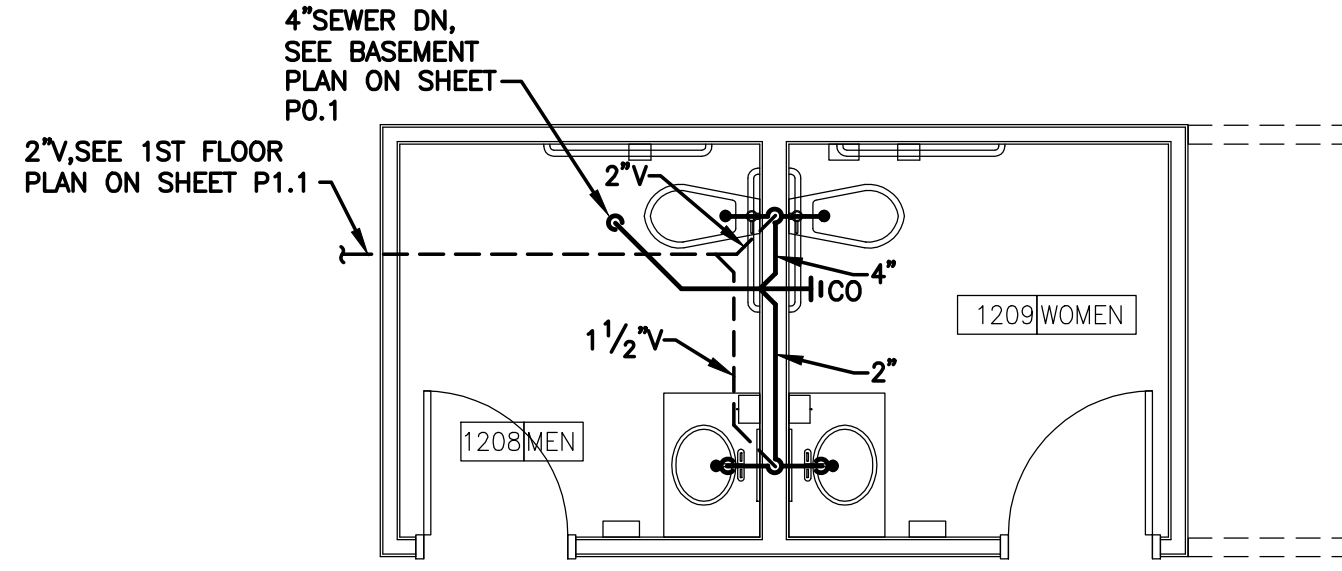
**PART FLOOR PLAN #1 - DOMESTIC WATER**  
 SCALE: 1/4"=1'-0" (FIRST FLOOR)  
 NOTE 1: PROVIDE ACCESS PANELS FOR SHUTOFF VALVES ABOVE DRYWALL CEILINGS.



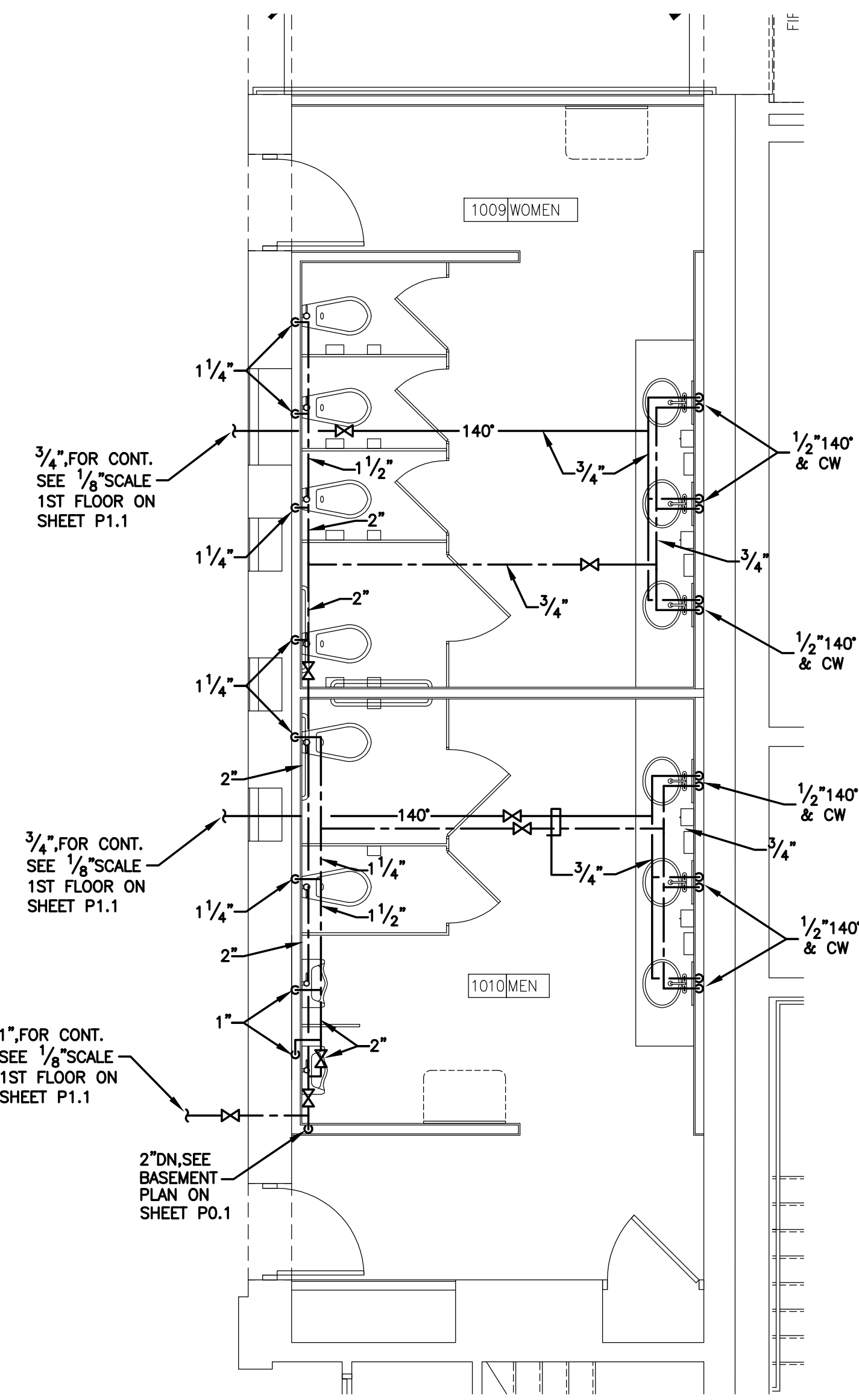
**PART FLOOR PLAN #2 - SOIL AND VENT**  
 SCALE: 1/8"=1'-0" (FIRST FLOOR)  
 NOTE 1: PROVIDE "PRO VENT" TRAP SEAL SYSTEM.  
 NOTE 2: SEE SOIL & VENT RISER #1, THIS SHEET.



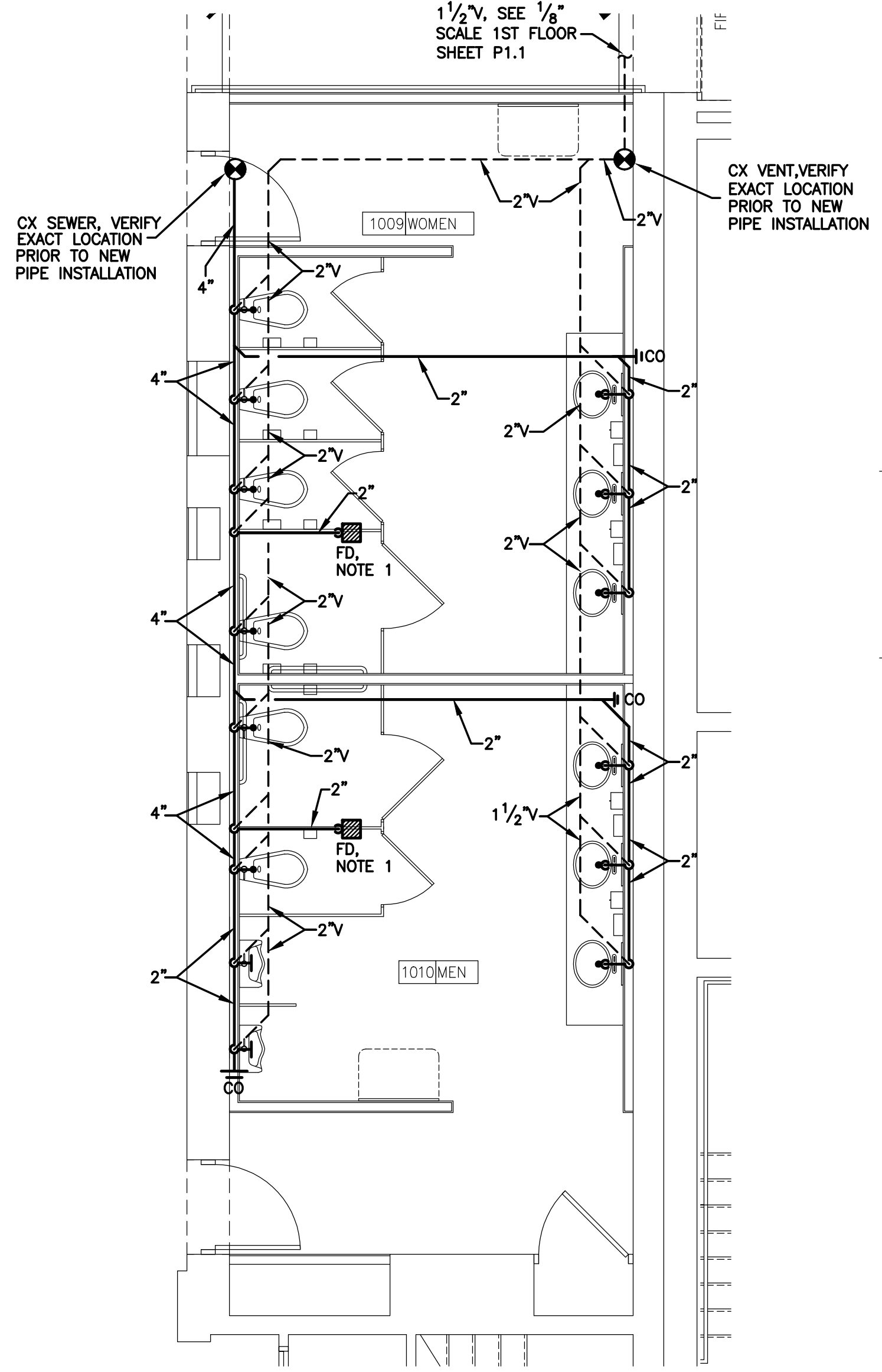
**PART FLOOR PLAN #5 - DOMESTIC WATER**  
 SCALE: 1/4"=1'-0" (FIRST FLOOR)  
 NOTE: COLD WATER PIPES DN, SEE BASEMENT PLAN ON SHEET P0.1.



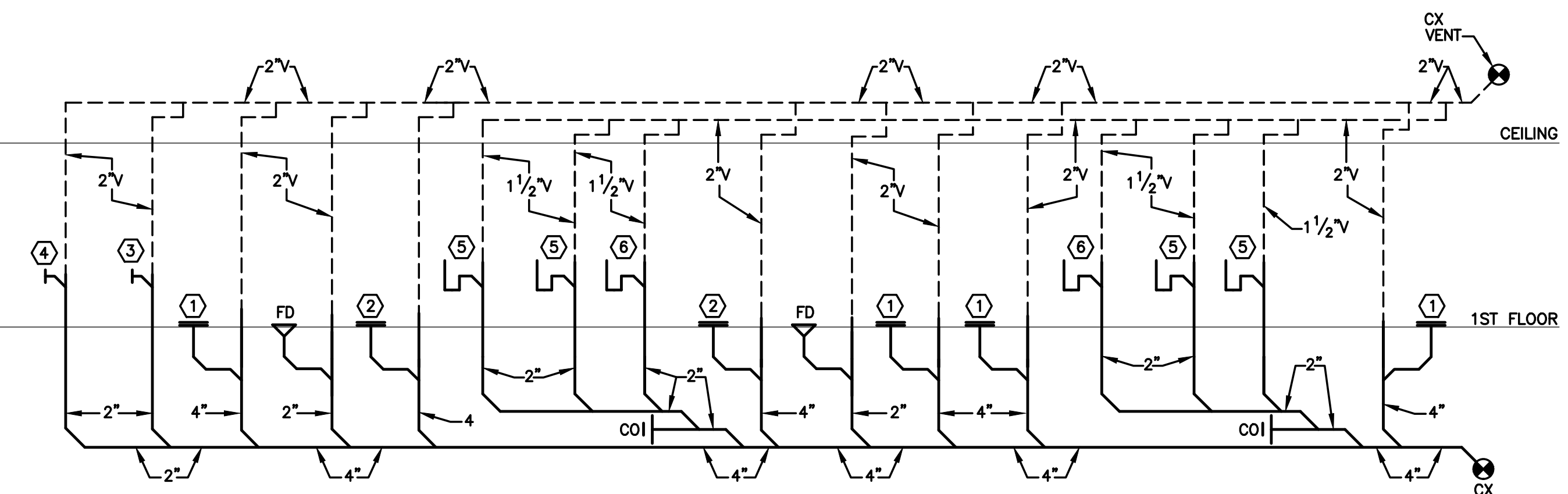
**PART FLOOR PLAN #6 - SOIL AND VENT**  
 SCALE: 1/4"=1'-0" (FIRST FLOOR)  
 NOTE 1: SEE SOIL & VENT RISER #3, THIS SHEET.



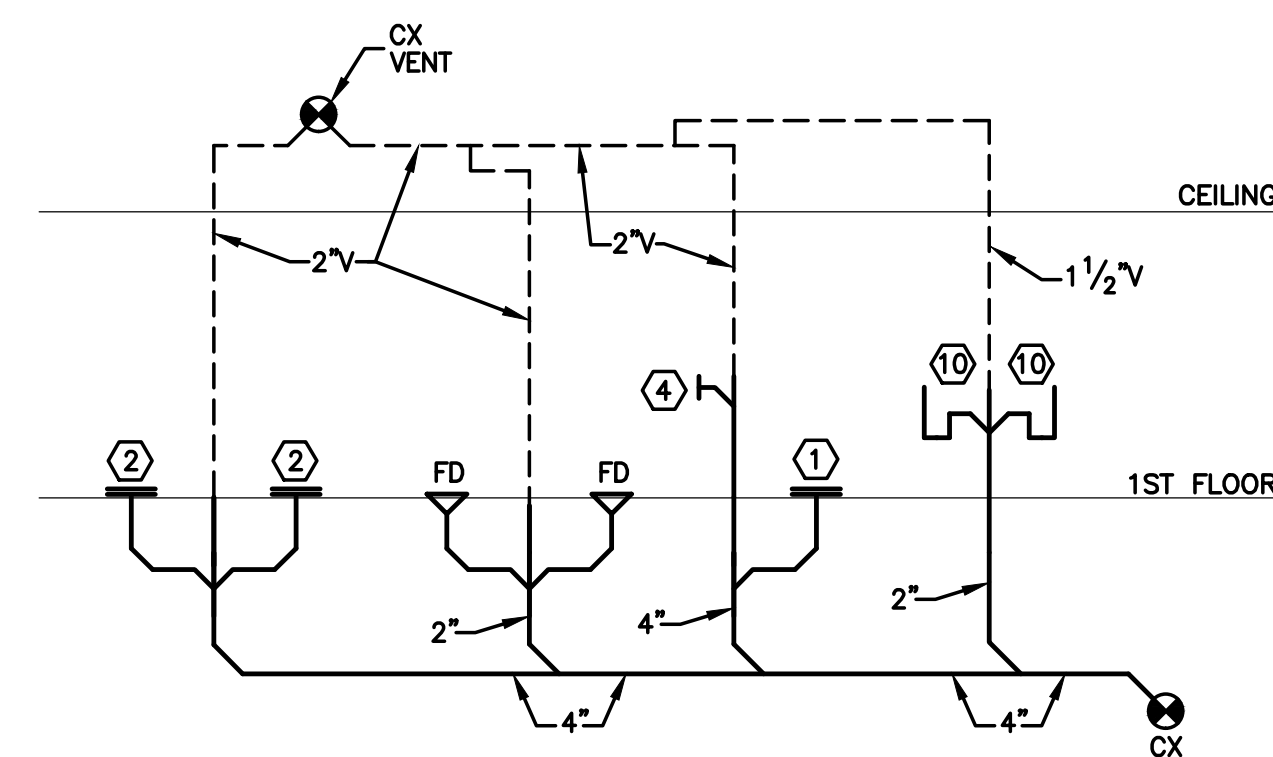
**PART FLOOR PLAN #3 - DOMESTIC WATER**  
 SCALE: 1/4"=1'-0" (FIRST FLOOR)  
 NOTE 1: PROVIDE ACCESS PANELS FOR SHUTOFF VALVES ABOVE DRYWALL CEILINGS.



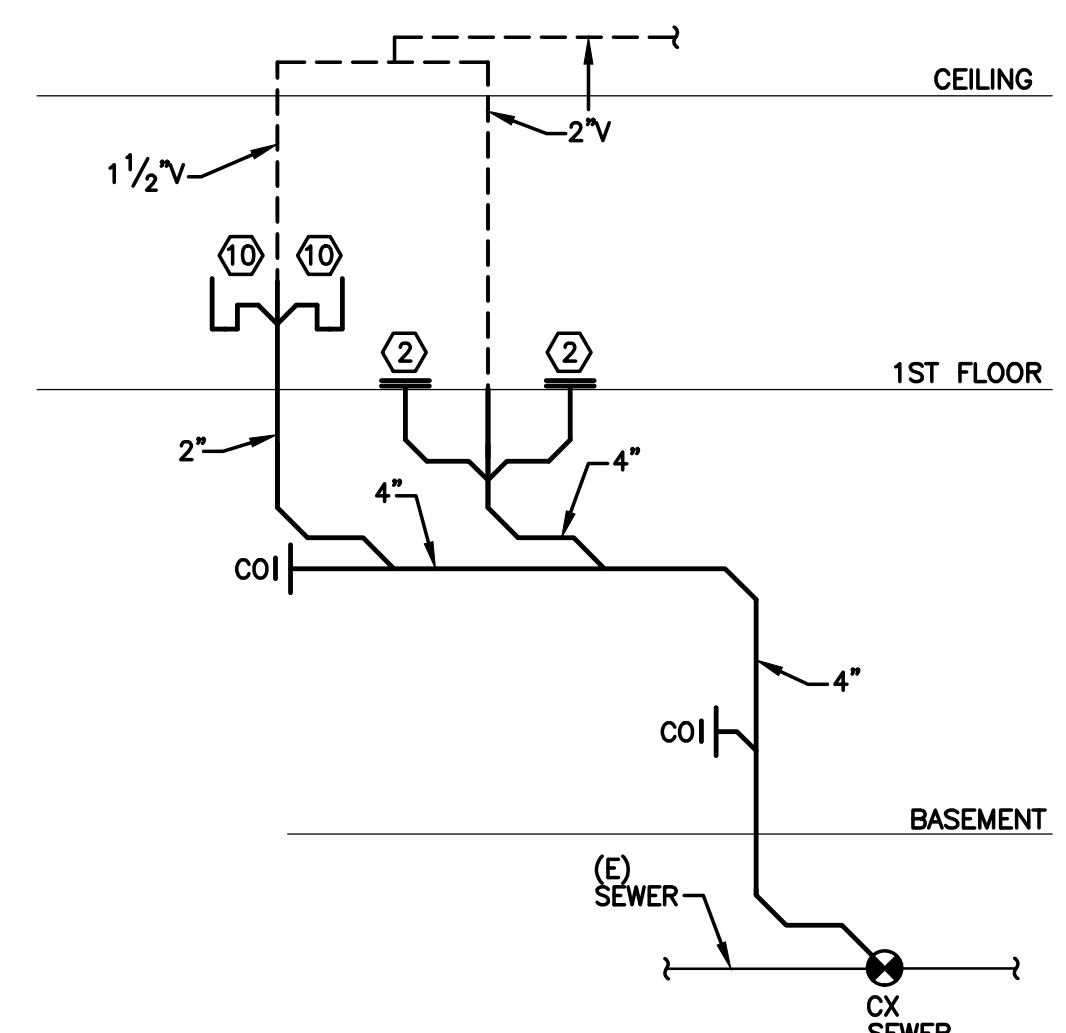
**PART FLOOR PLAN #4 - SOIL AND VENT**  
 SCALE: 1/4"=1'-0" (FIRST FLOOR)  
 NOTE 1: PROVIDE "PRO VENT" TRAP SEAL SYSTEM.  
 NOTE 2: SEE SOIL & VENT RISER #2, THIS SHEET.



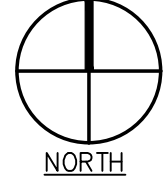
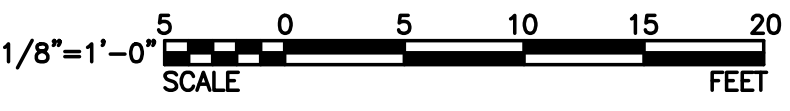
**SOIL & VENT RISER #2**  
 NO SCALE



**SOIL & VENT RISER #1**  
 NO SCALE



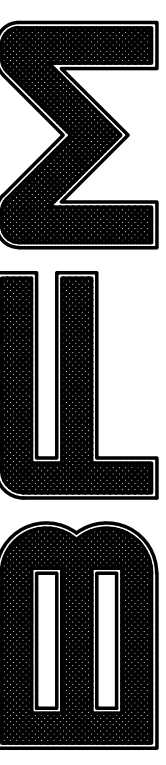
**SOIL & VENT RISER #3**  
 NO SCALE



**RHL ENGINEERING COMPANY, INC.**  
 3 West Second Street  
 Frederick, Md. 21701  
 OFFICE: (301) 695-9424  
 FAX: (301) 293-6338  
 E-mail: rhlengr@rhlengr.com

Professional Certification. I hereby certify that these documents were prepared or approved by me, and that I am a duly licensed professional engineer under the laws of the State of Maryland. License No. 45511. Expiration Date: 06/03/2018

**BUSHEY FEIGHT MORIN ARCHITECTS INC.**  
 473 North Potomac Street, Hagerstown, Md 21740  
 301-733-5600 Fax 301-733-5612  
 E-mail: BFM@BFMArchitects.com



copyright 2014, Bushey Feight Morin Architects, Inc.  
**BUSHEY FEIGHT MORIN ARCHITECTS INC.**  
 WASH. CO. ADMINISTRATION COMPLEX  
 FIRST FLOOR RENOVATIONS

BID DOCUMENTS  
 PART FIRST FLOOR PLANS - NEW  
**P1.2**  
 4 OF 5 SHEETS  
 DATE : 08.15.14