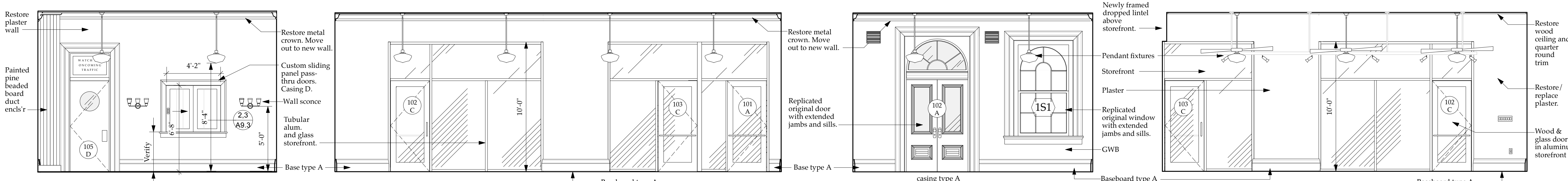
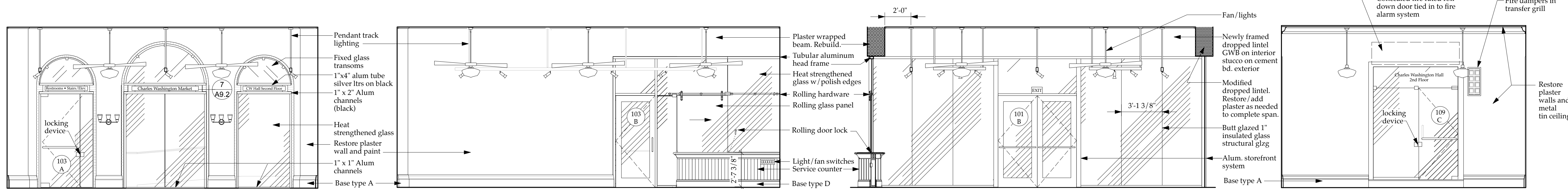


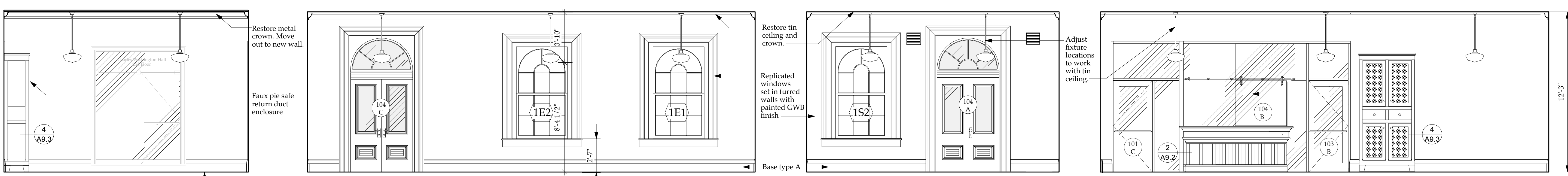
1 Portico Scale: 1/4" = 1'-0"
 2 Portico Looking North Scale: 1/4" = 1'-0"
 3 Portico Scale: 1/4" = 1'-0"
 4 Portico Looking South Scale: 1/4" = 1'-0"
 5 Restaurant West Scale: 1/4" = 1'-0"



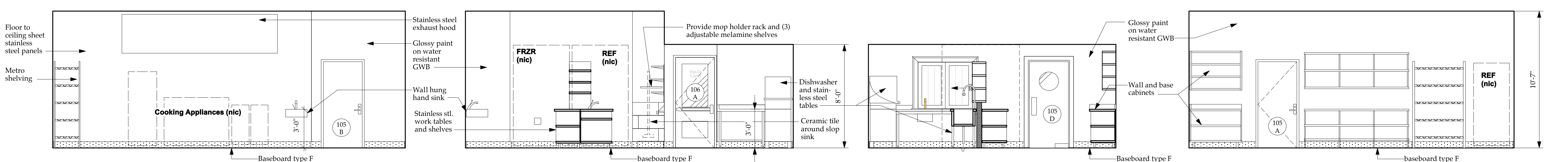
6 Restaurant North Scale: 1/4" = 1'-0"
 7 Restaurant East Scale: 1/4" = 1'-0"
 8 Restaurant South Scale: 1/4" = 1'-0"
 9 Market West Scale: 1/4" = 1'-0"



10 Market North Scale: 1/4" = 1'-0"
 11 Market East Scale: 1/4" = 1'-0"
 12 Market South Scale: 1/4" = 1'-0"
 13 Waiting Room Scale: 1/4" = 1'-0"



14 Trans Center North Scale: 1/4" = 1'-0"
 15 Trans Center East Scale: 1/4" = 1'-0"
 16 Trans Center South Scale: 1/4" = 1'-0"
 17 Trans Center West Scale: 1/4" = 1'-0"



18 Kitchen North Scale: 1/4" = 1'-0"
 19 Kitchen East Scale: 1/4" = 1'-0"
 20 Kitchen South Scale: 1/4" = 1'-0"
 21 Kitchen West Scale: 1/4" = 1'-0"

Charles Washington Hall RENOVATIONS
 Corner of George & Washington Streets
 Charles Town, W. Va.

For the
 City of Charles Town
 City of Ranson

Planning & Engineering (prime)
Hall Planning & Engineering, Inc
 316 Williams Street
 Tallahassee, FL 32303

Landscape Architecture
Stromberg/Garrigan & Assoc., Inc.
 102 E. Main Street - The Penn Bldg
 Somerset, PA 15501

Historic Preservation & Architecture
Landmarks SGA, LLC
 102 E. Main Street - The Penn Bldg
 Somerset, PA 15501

Structural Engineer
R.L. Silman Associates
 1053 31st Street NW
 Washington D.C. 20007

Mech/Elect Engineer
Comfort Designs
 620 Pennsylvania Avenue
 Winchester, VA 22601

Architect
GROVE & DALL'OLIO ARCHITECTS PLLC
 220 WEST KING • MARTINSBURG, WEST VIRGINIA • 25401

Issue/Revision Seal
 STATE OF WEST VIRGINIA
 REGISTERED ARCHITECT
 MATTHEW W. GROVE
 NO. 2616

Drawing Title
Interior Elevations
 Date 10/22/14
 Scale Project Number 11105
 Drawing Number