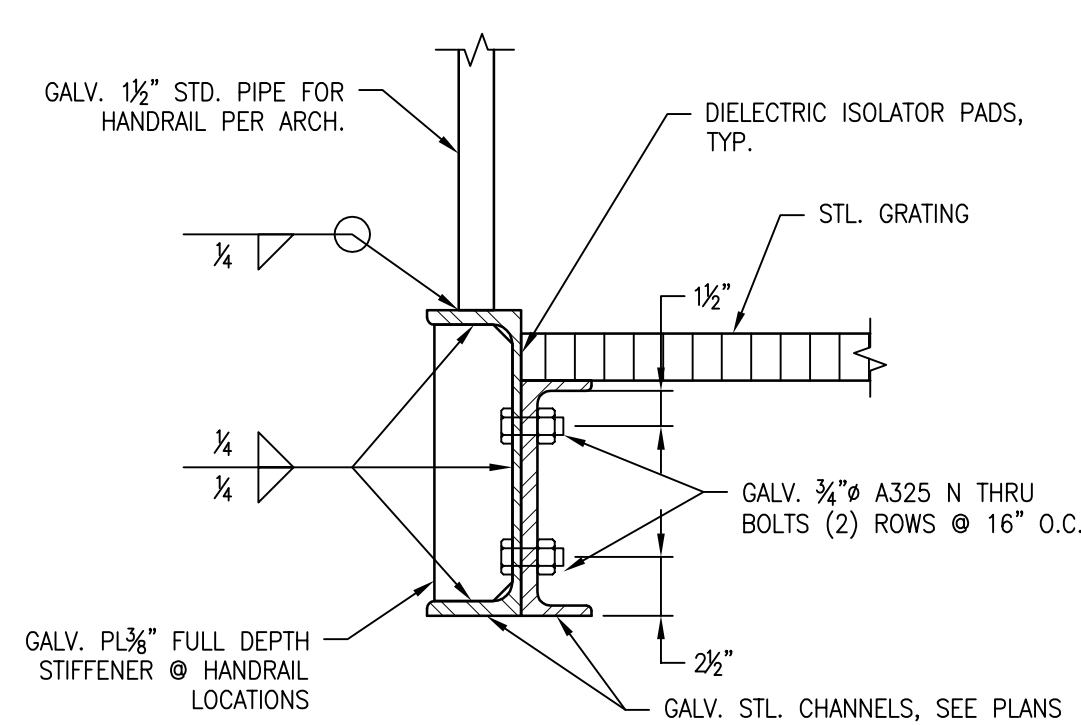


NORTH (magnetic)

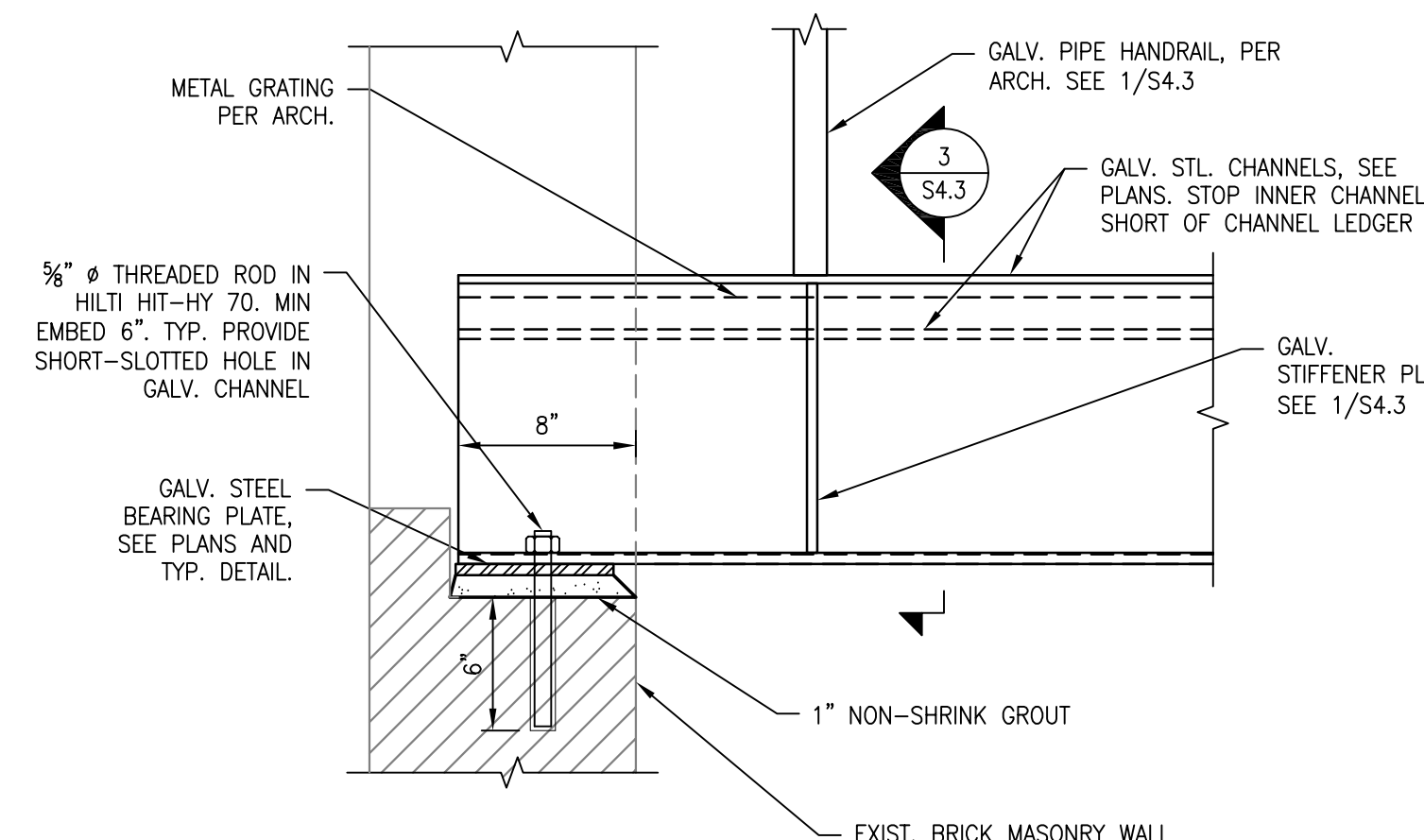
# Charles Washington Hall

RENOVATIONS  
Corner of George & Washington Streets  
Charles Town, W.Va.

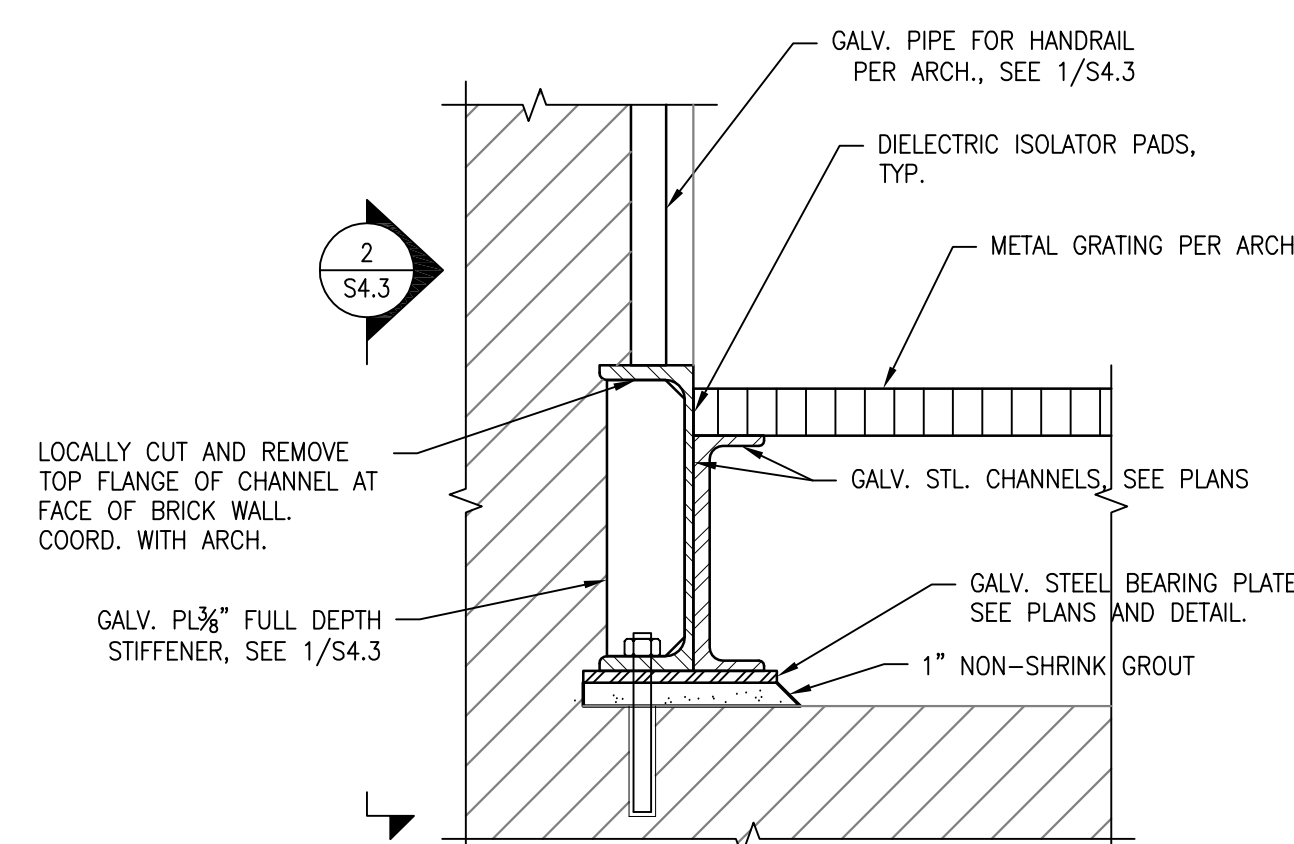
For the  
City of Charles Town  
City of Ranson



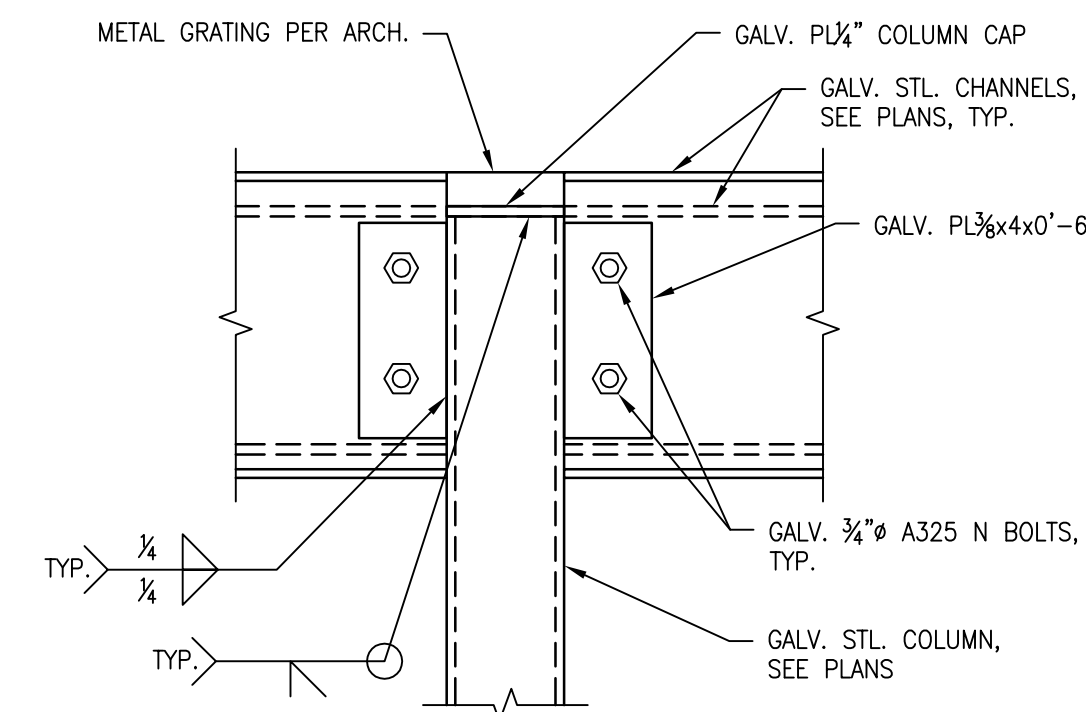
1 SECTION  
S4.3 SCALE: 1-1/2" = 1'-0"



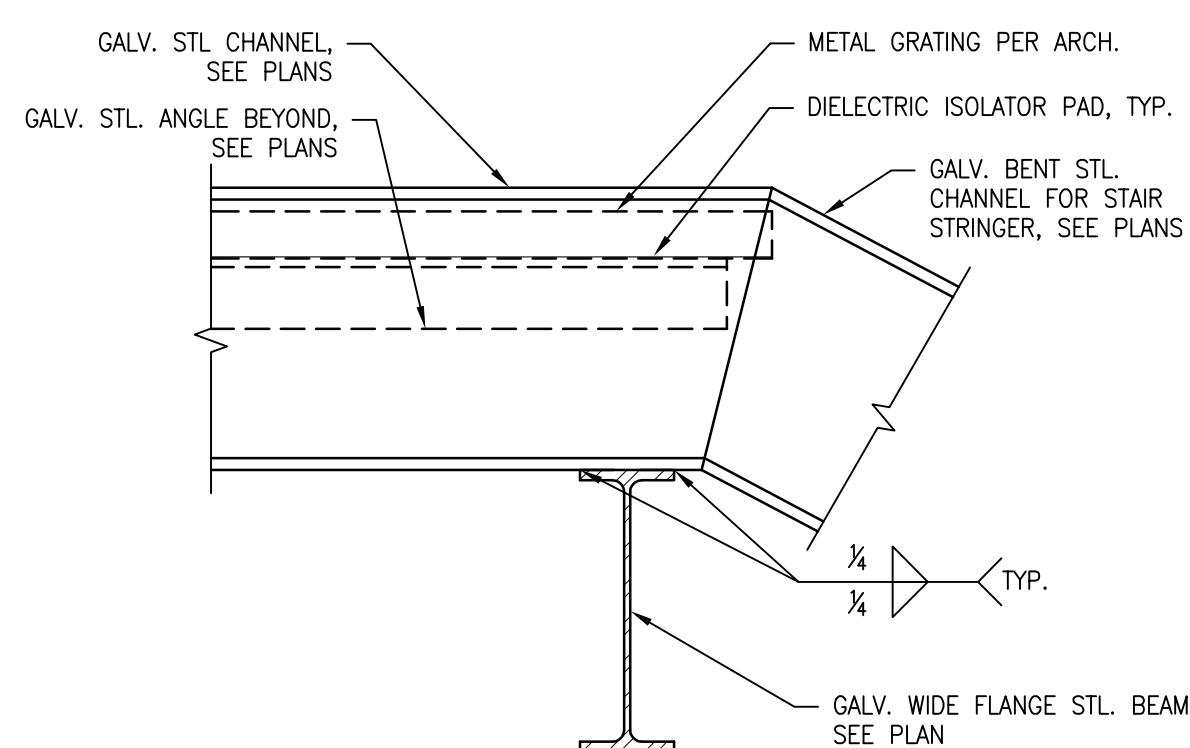
2 LEDGER TO WALL CONNECTION  
S4.3 SCALE: 1-1/2" = 1'-0"



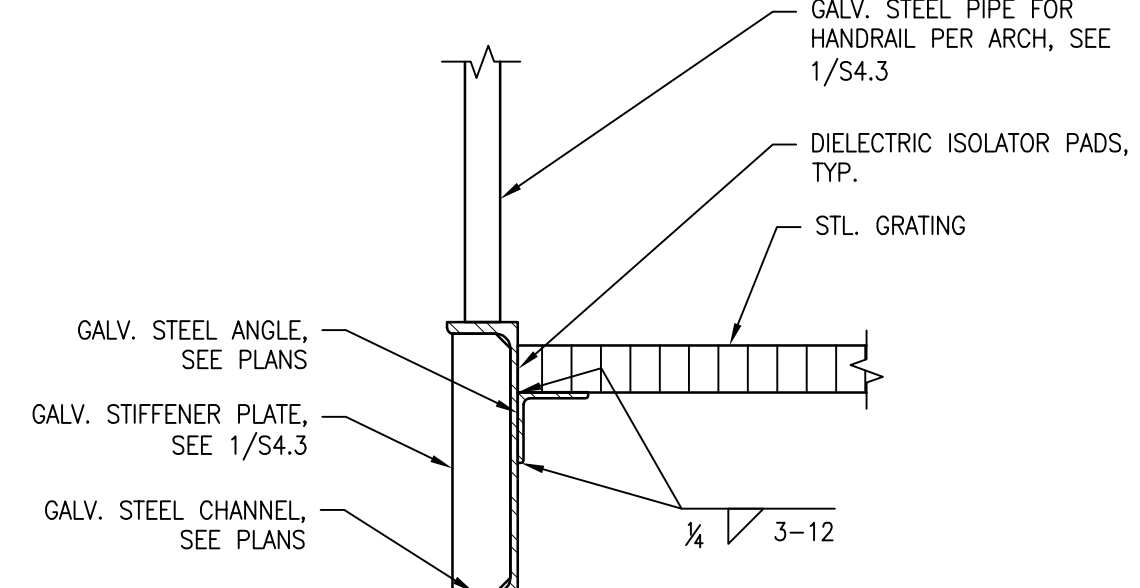
3 SECTION  
S4.3 SCALE: 1-1/2" = 1'-0"



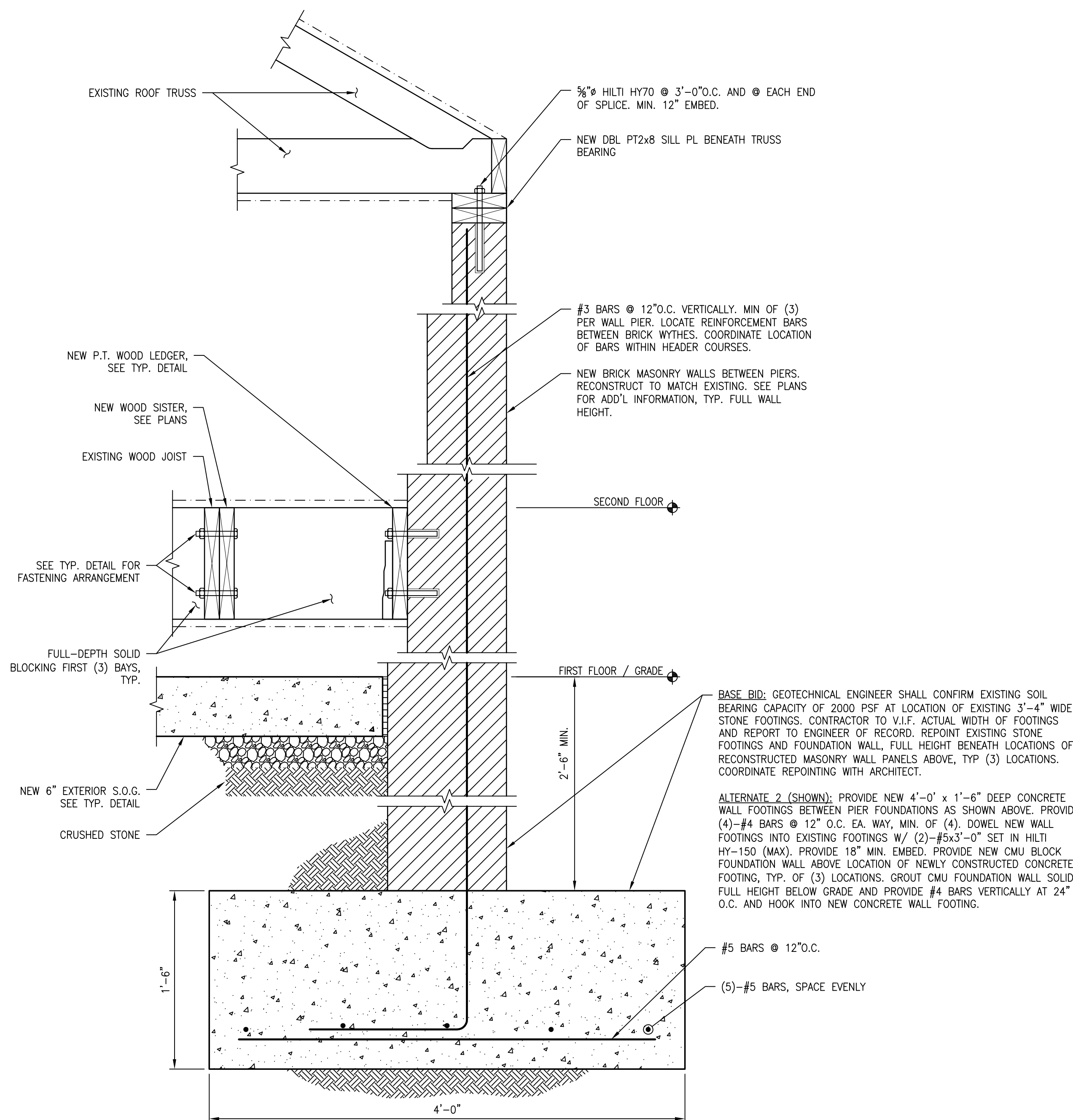
4 TYPICAL COLUMN CONNECTION  
S4.3 SCALE: 1-1/2" = 1'-0"



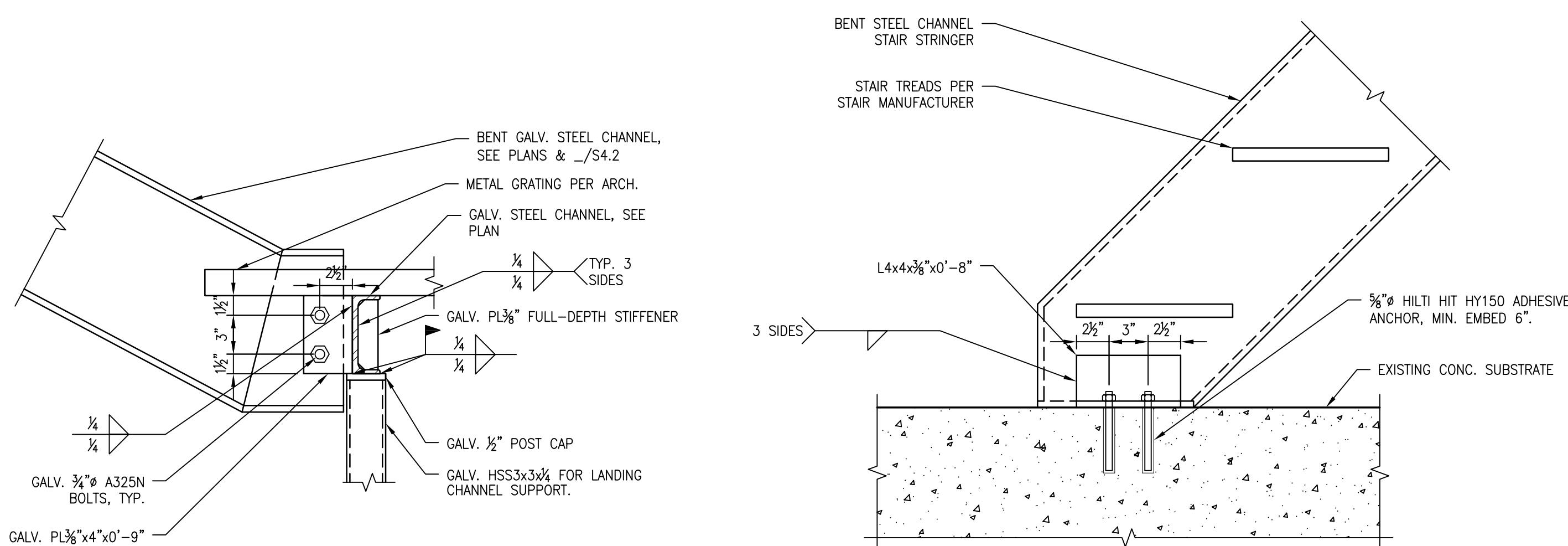
5 TYPICAL BEAM TO BEAM CONNECTION DETAIL  
S4.3 SCALE: 1-1/2" = 1'-0"



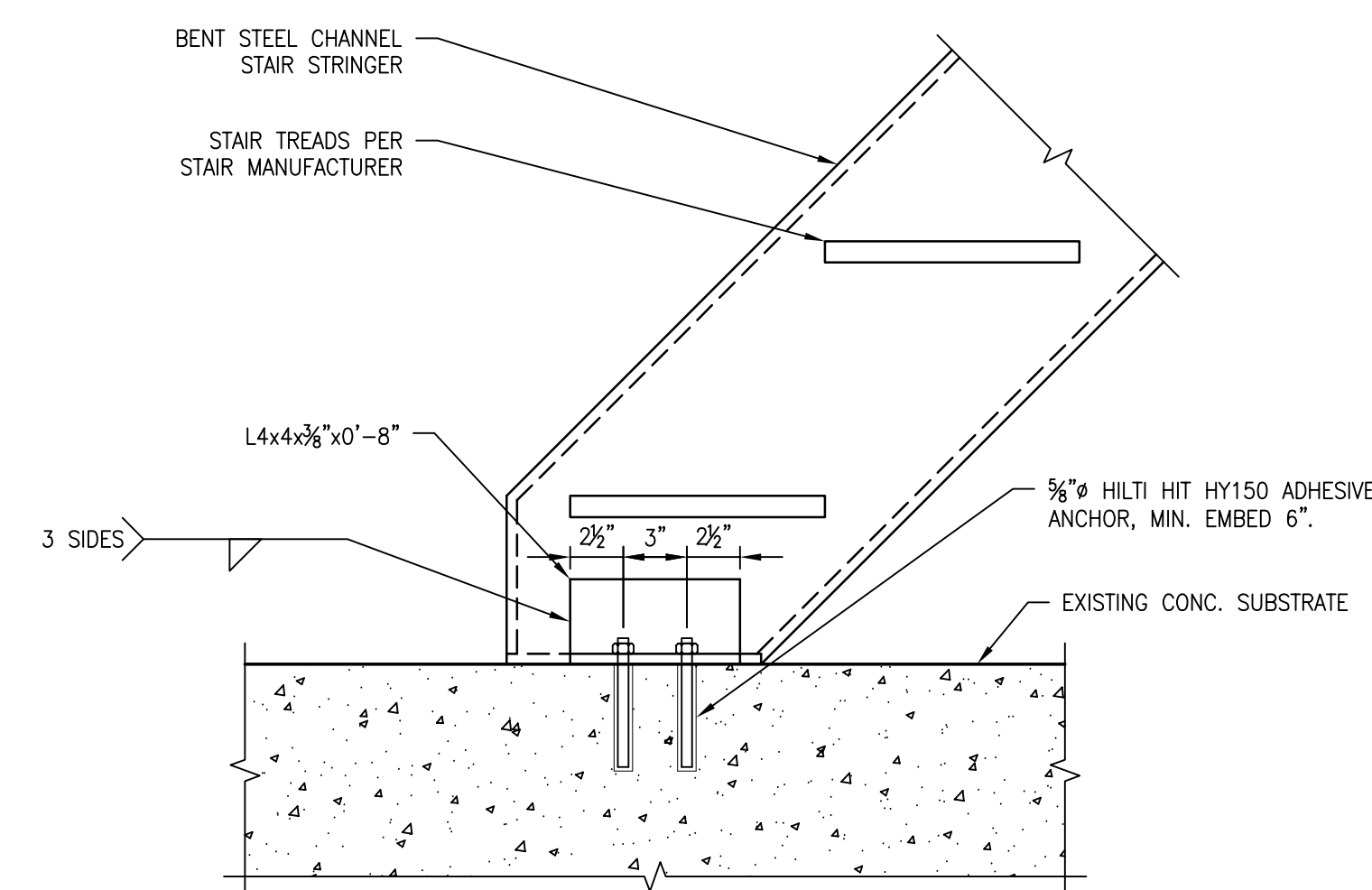
6 SECTION  
S4.3 SCALE: 1-1/2" = 1'-0"



9 SECTION AT WALL RECONSTRUCTION  
S4.3 SCALE: 1-1/2" = 1'-0"



7 STAIR STRINGER TO BEAM CONNECTION  
S4.3 SCALE: 1-1/2" = 1'-0"



8 STRINGER BASE ANCHORAGE DETAIL  
S4.3 SCALE: 1-1/2" = 1'-0"

Planning & Engineering (prime)  
Hall Planning & Engineering, Inc  
316 Williams Street  
Tallahassee, FL 32303

Planning & Architecture  
Stromberg/Garrigan & Assoc., Inc.  
102 E. Main Street - The Penn Bldg  
Somerset, PA 15501

Structural Engineer  
Robert Silman Associates  
1053 31st Street NW  
Washington D.C. 20007

Mech/Elect Engineer  
Comfort Designs  
620 Pennsylvania Avenue  
Winchester, VA 22601

Architect  
**GROVE & DALL'OLIO**  
ARCHITECTS P.L.L.C.  
220 WEST KING • MARTINSBURG, WEST VIRGINIA • 25401

Issue/Revision	Seal

Drawing Title

DETAILS

09/26/2014  
Scale Project Number  
Drawing Number

S4.3