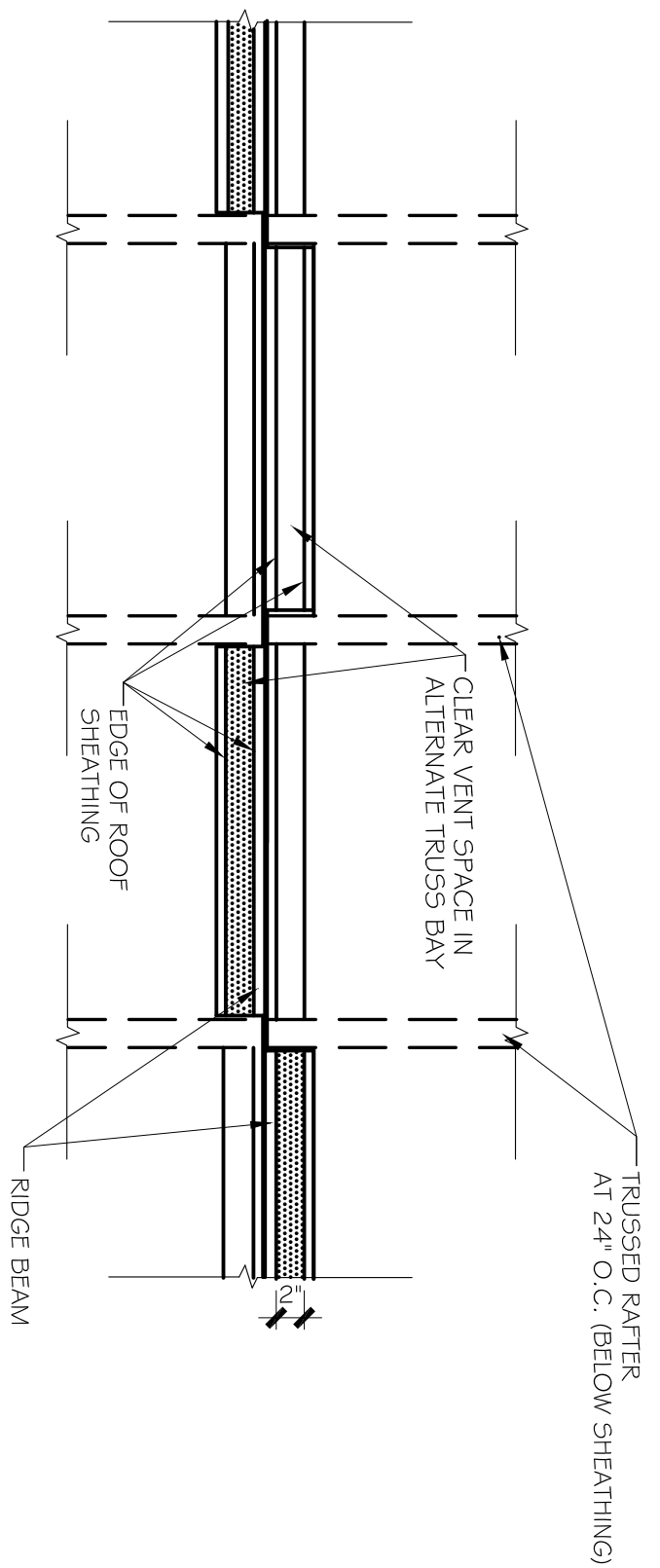
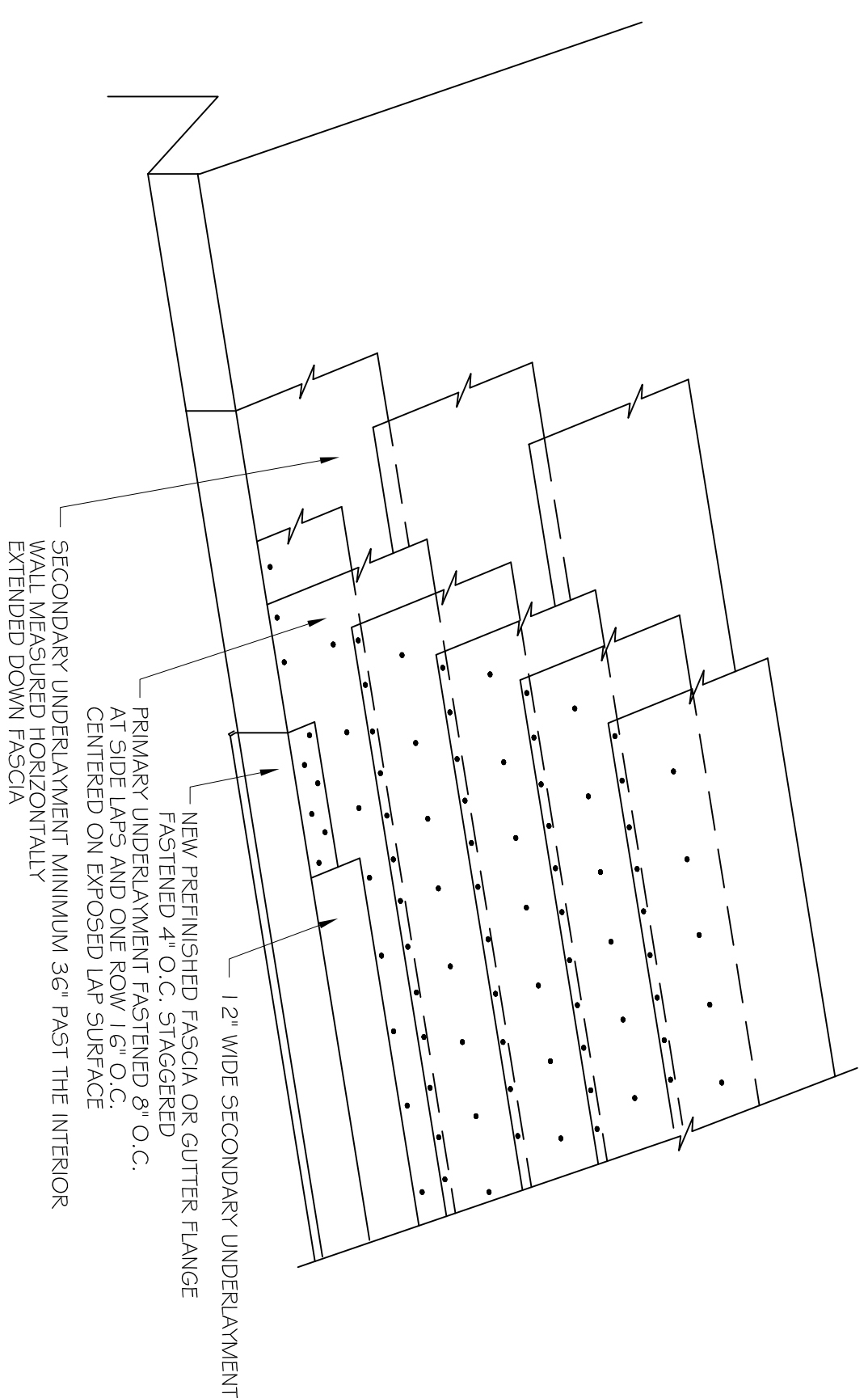


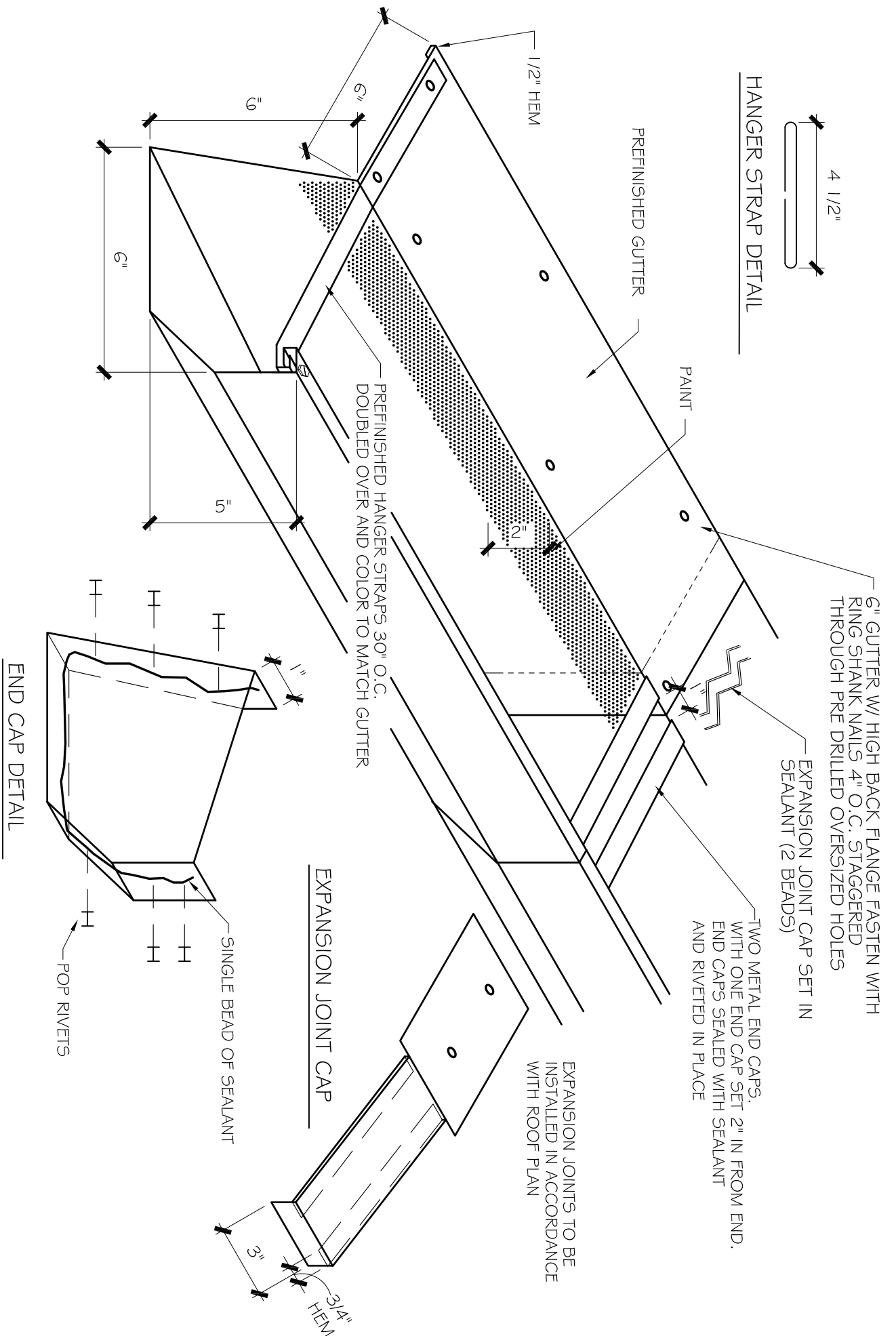
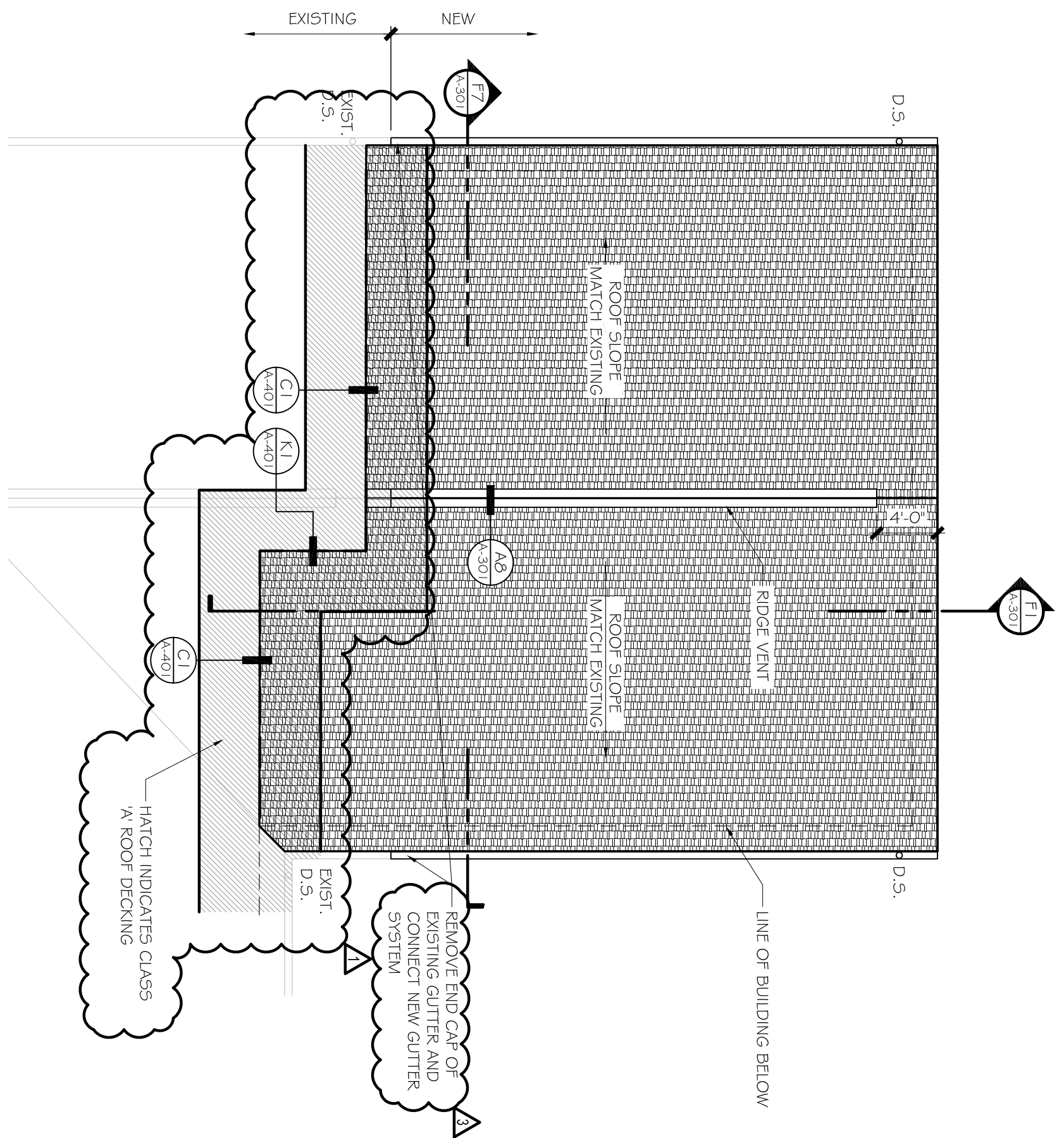
**A8** RIDGE VENT DETAILS  
N.T.S.



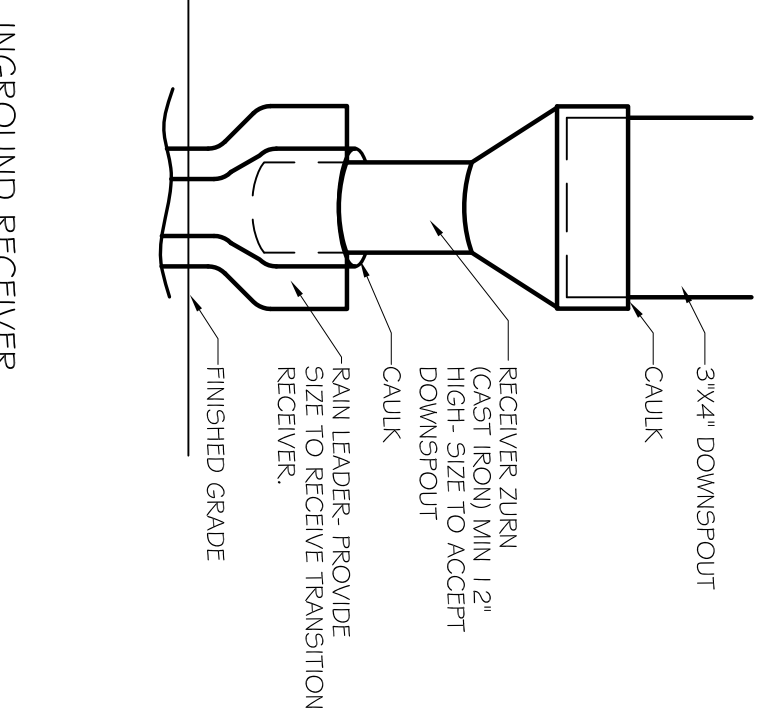
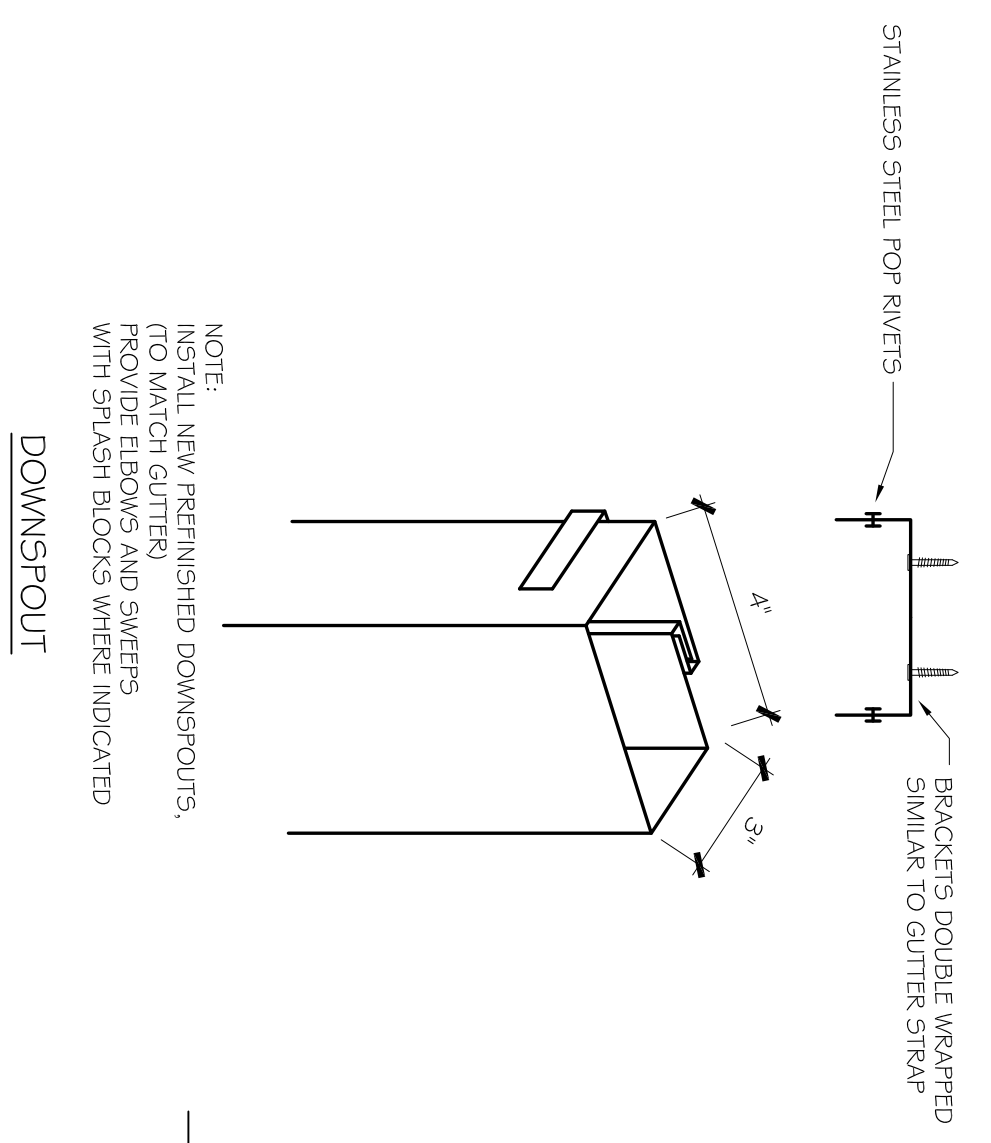
**F8** UNDERLAYMENT DETAIL  
N.T.S.



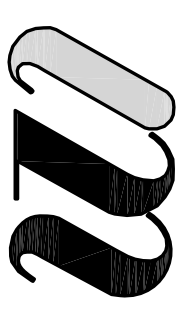
**L7** ROOF PLAN  
SCALE: 1/8" = 1'-0"



**A1** GUTTER SYSTEM DETAILS  
N.T.S.



INGROUND RECEIVER



L2M  
811 Cornwall Park Drive, Suite 113  
Columbus, Ohio 43260  
1.284.234.com  
Phone: 614.861.1332  
Fax: 614.861.1330  
Architect / Engineer:

Stamp:  
Verify that these documents were prepared by the professional seal holder of the State of Ohio.  
Professional Seal No. 10000  
Expiration Date: 12/31/2015

Hagerstown Ward  
Meetinghouse Addition  
& Parking Expansion

Project for:  
**THE CHURCH OF  
JESUS CHRIST  
OF LATTER-DAY SAINTS**

Mark	Date (D-M-Y)	Description
▲	17-AUG-15	ADDENDUM #2
▲	06-MAR-15	COMMENT RESPONSE

Project Number: 13.162  
Plan Series: CUSTOM  
Property Number: 514.7557  
Sheet Title: ROOF PLAN & DETAILS

Sheet:  
**A-102**