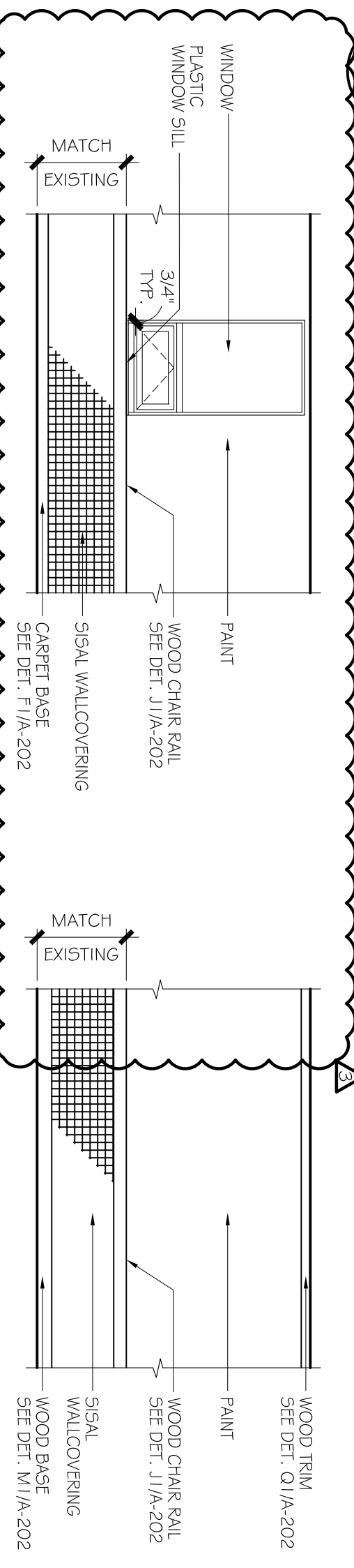
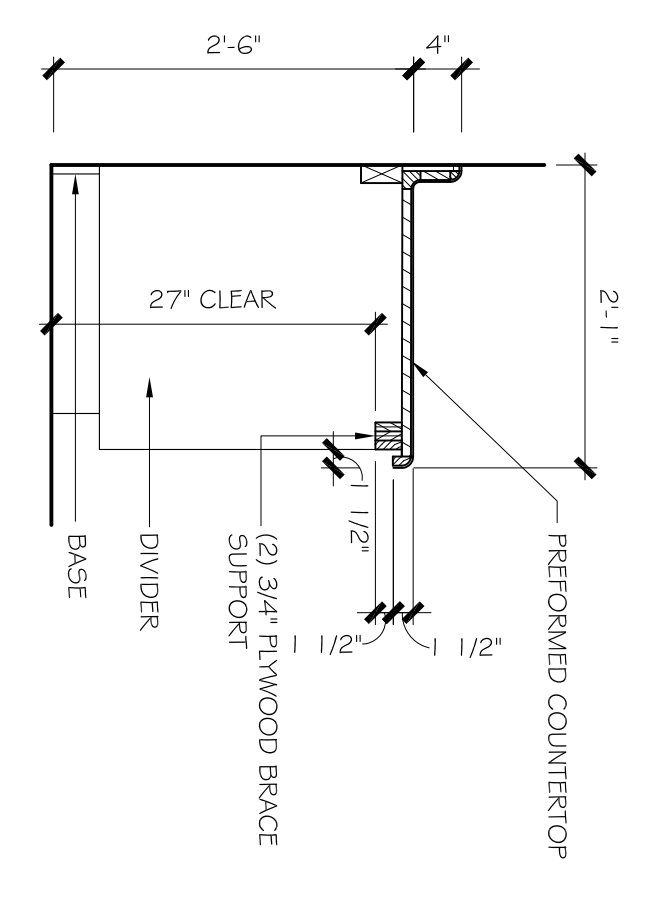


K10 INTERIOR ELEVATIONS @ ROOM 102
SCALE: 1/4" = 1'-0"

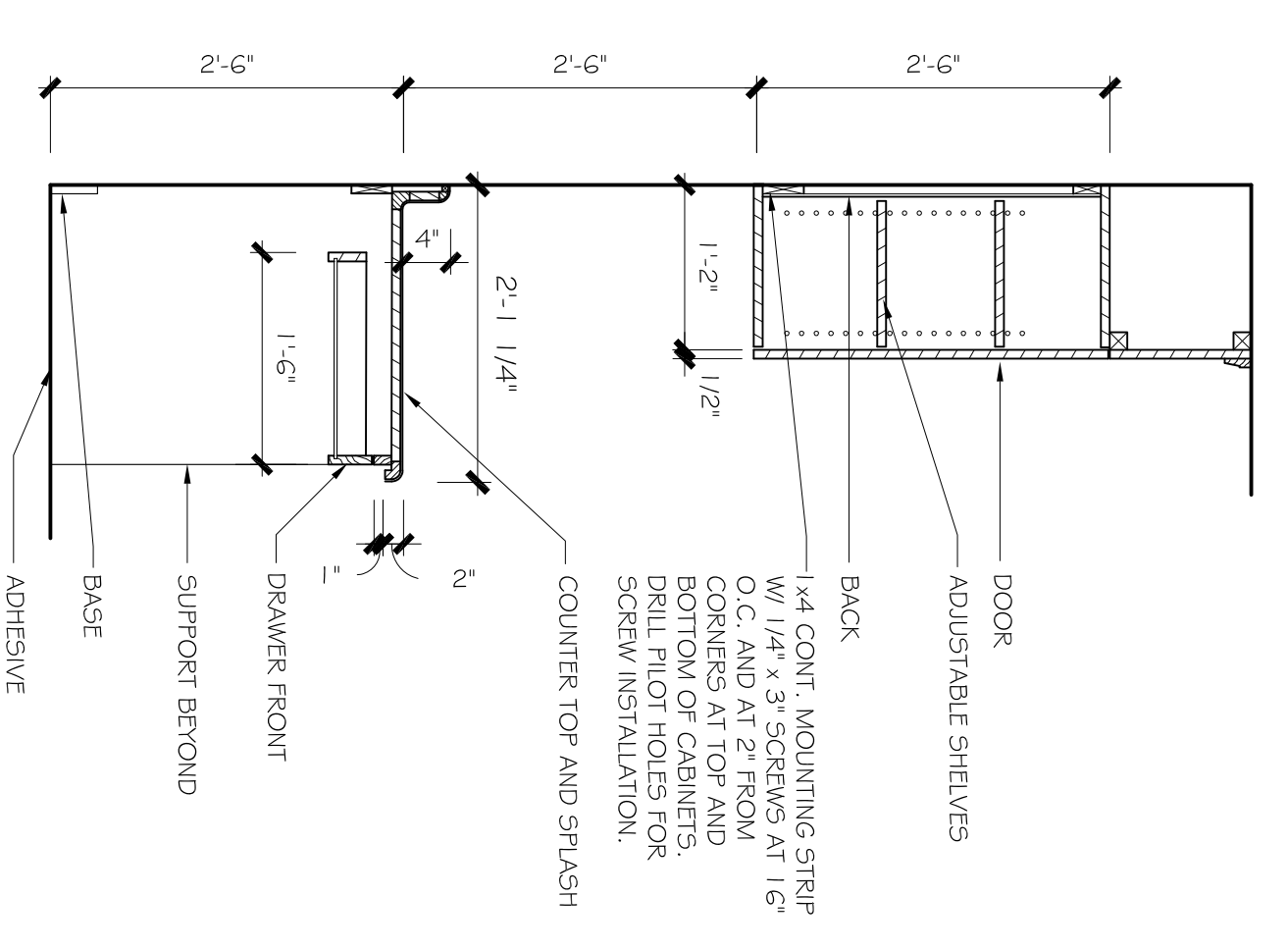


K8 ELEVATION (CLASSROOMS)
SCALE: 1/4" = 1'-0"

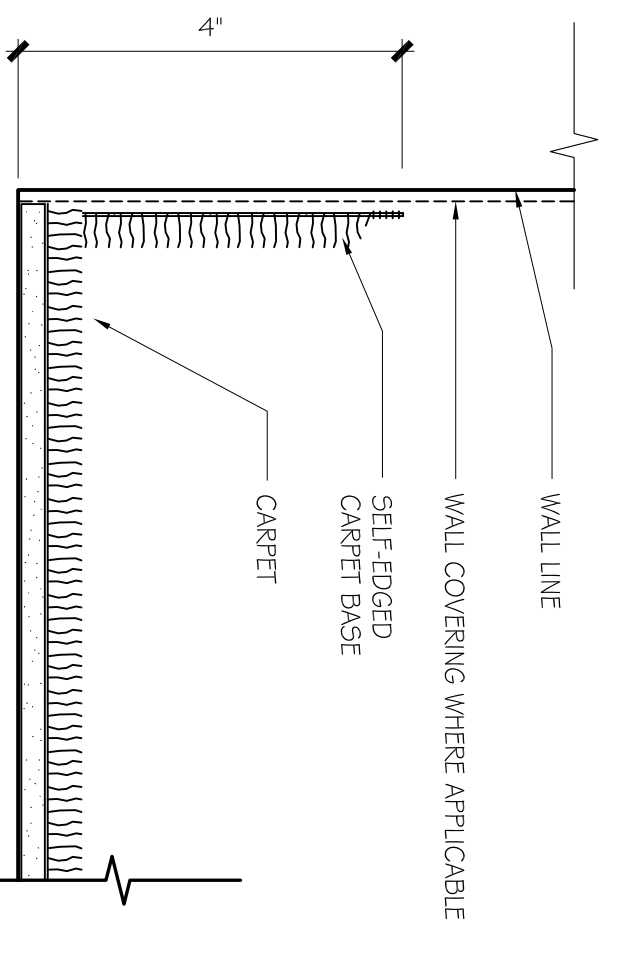
N8 ELEVATION (BISHOPS OFFICE)
SCALE: 1/4" = 1'-0"



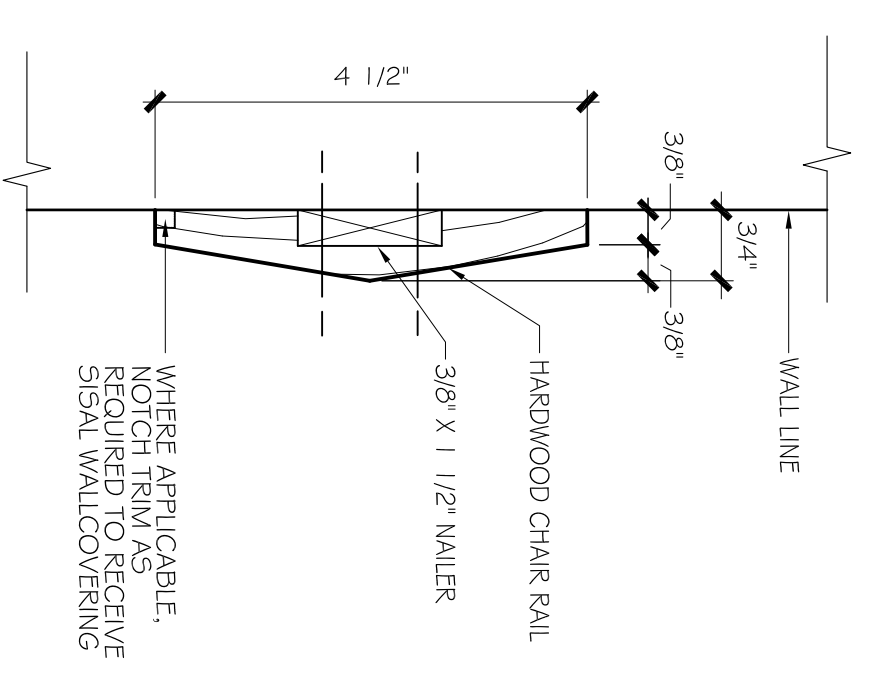
C8 DETAIL
SCALE: 3/4" = 1'-0"



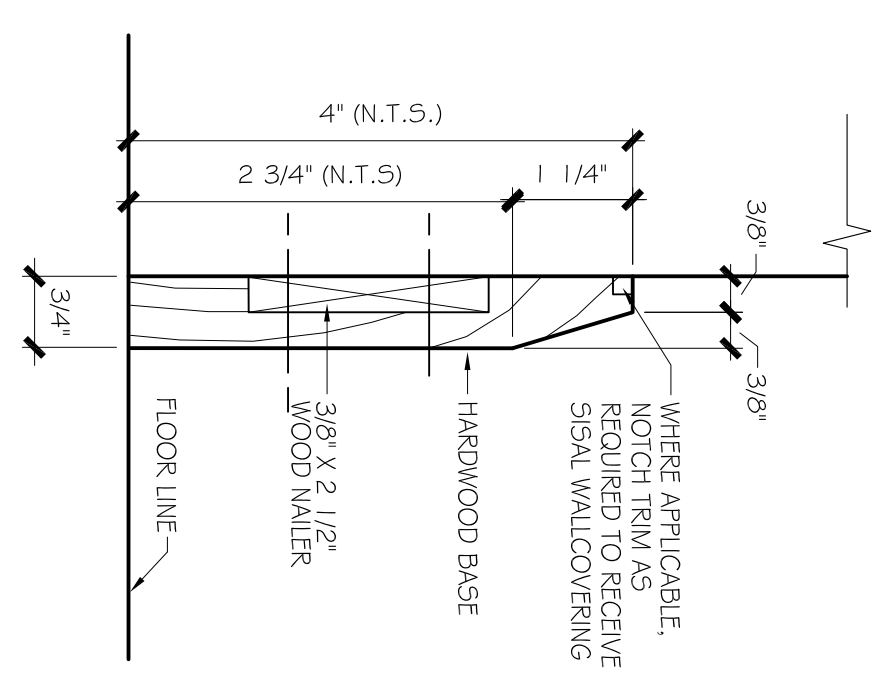
F8 DETAIL
SCALE: 3/4" = 1'-0"



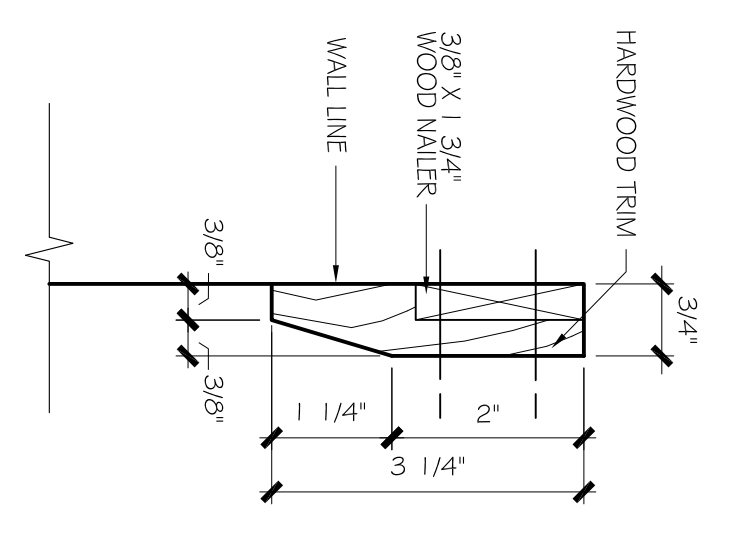
F1 CARPET BASE DETAIL
SCALE: HALF



J1 CHAIR RAIL DETAIL
SCALE: HALF



M1 WOOD BASE DETAIL
SCALE: HALF



Q1 WOOD TRIM DETAIL
SCALE: HALF

L2M ARCHITECTS
1241 24th Ave
Bismarck, ND 58101
Phone: 701.223.1332
Fax: 701.223.1330
Architect / Engineer

Verify that these documents are approved and sealed in accordance with the laws of the State of North Dakota.
Sealed and dated this 13th day of December 2015.
701.223.1332

Project for:
THE CHURCH OF JESUS CHRIST OF LATTER-DAY SAINTS

Hagerstown Ward Meetinghouse Addition & Parking Expansion

Mark	Date (D-M-Y)	Description
•	17-AUG-15	ADDENDUM #2
•	30-SEP-14	BLDG PERMIT SUBMISSION
•	14-NOV-13	CLIENT DESIGN APPROVAL

Project Number:
13.162
Plan Series:
CUSTOM
Property Number:
514.7557
Sheet Title:
INTERIOR ELEVATIONS & DETAILS

Sheet:
A-202