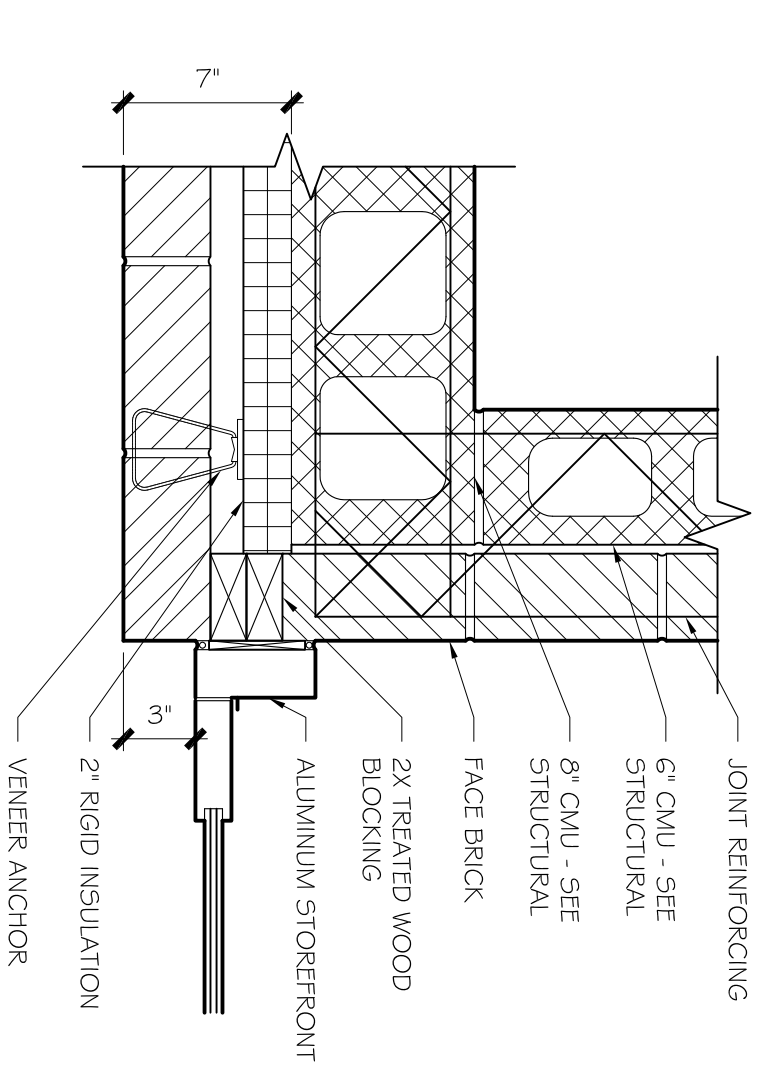
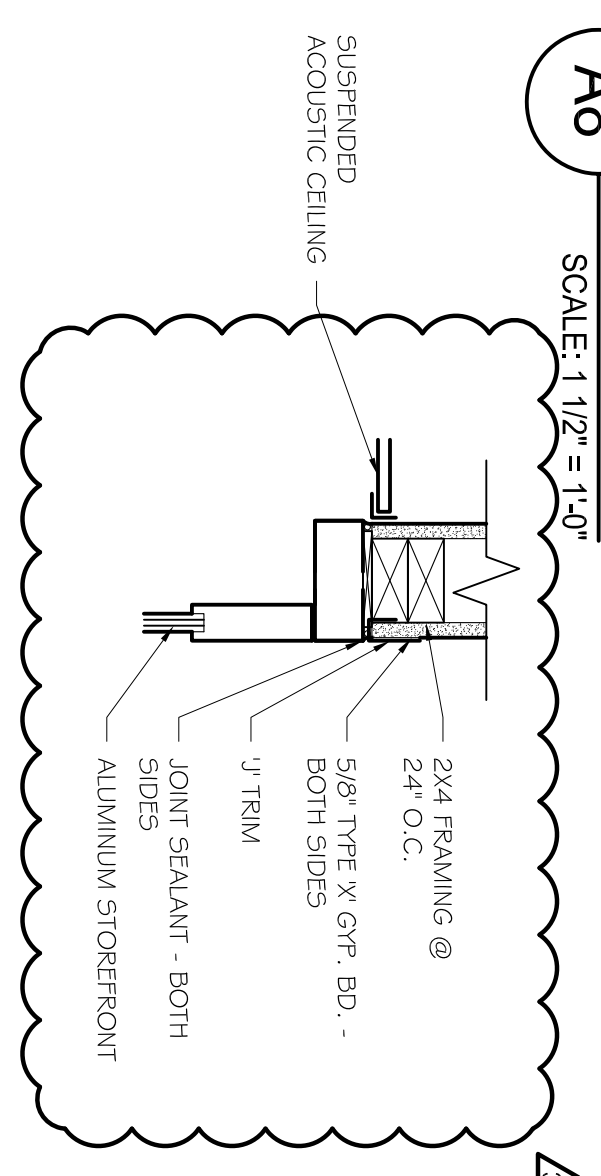


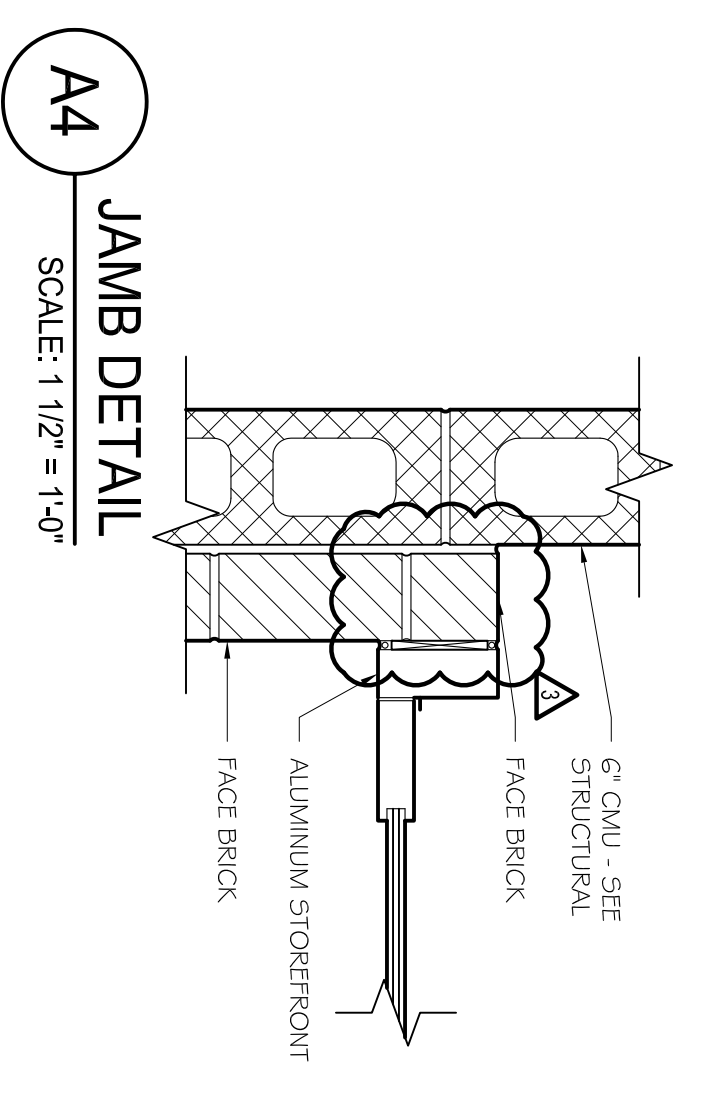
A11 HEAD DETAIL
SCALE: 1 1/2" = 1'-0"



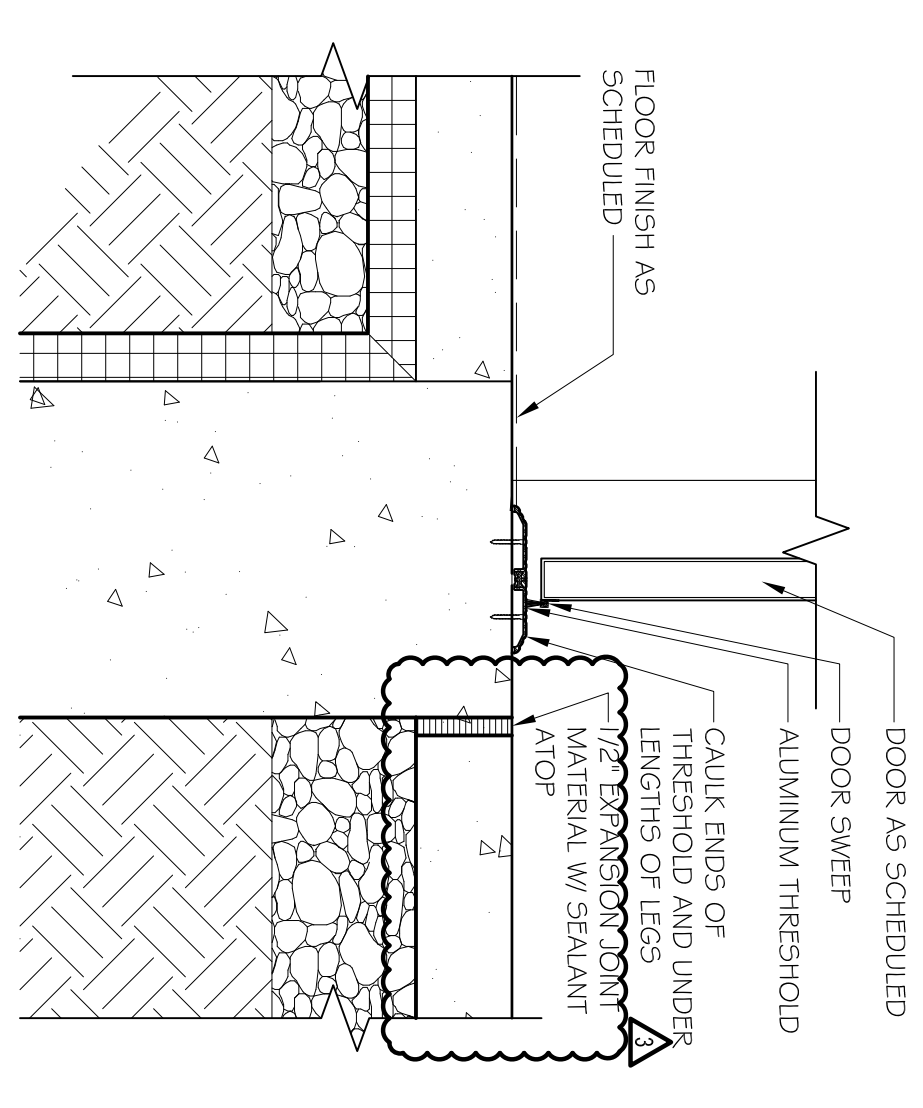
A8 JAMB DETAIL
SCALE: 1 1/2" = 1'-0"



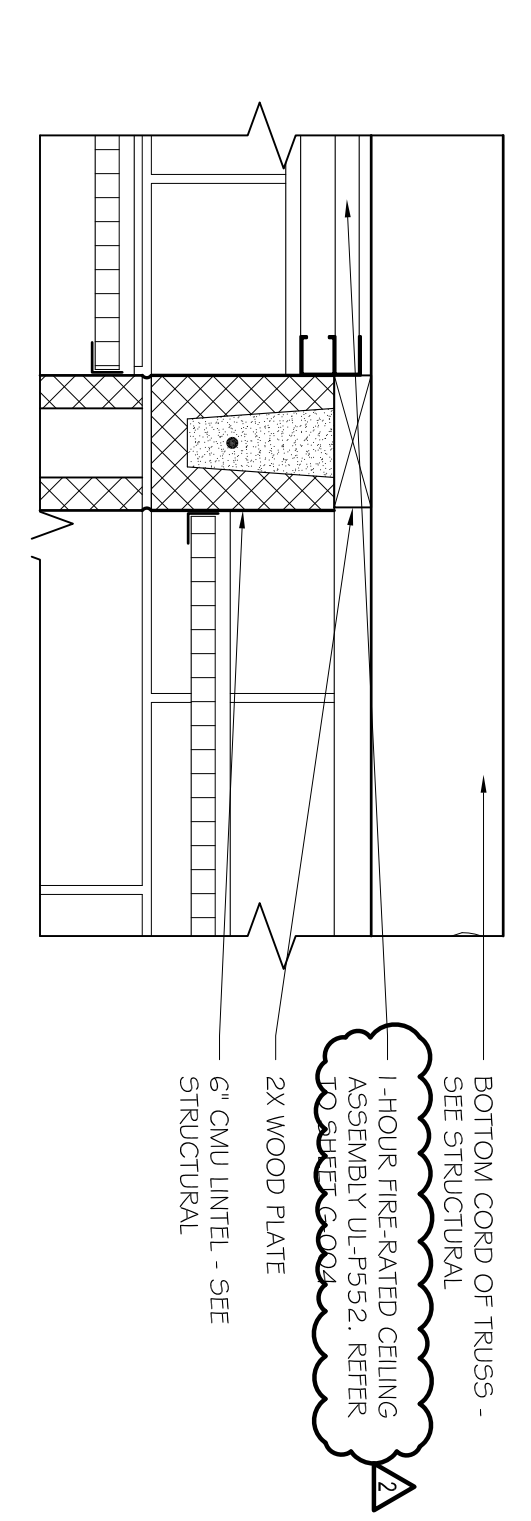
A6 HEAD DETAIL
SCALE: 1 1/2" = 1'-0"



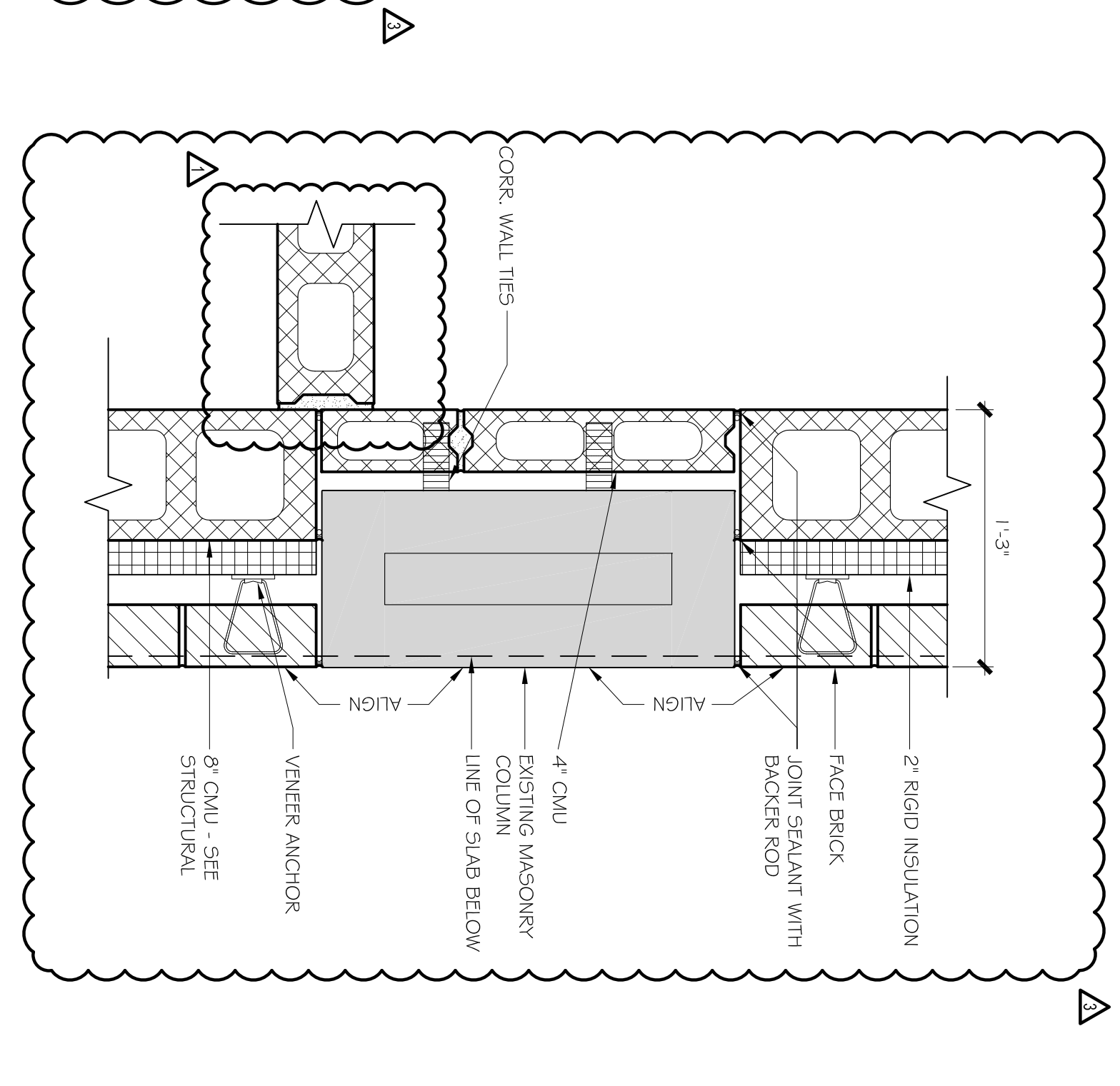
A4 JAMB DETAIL
SCALE: 1 1/2" = 1'-0"



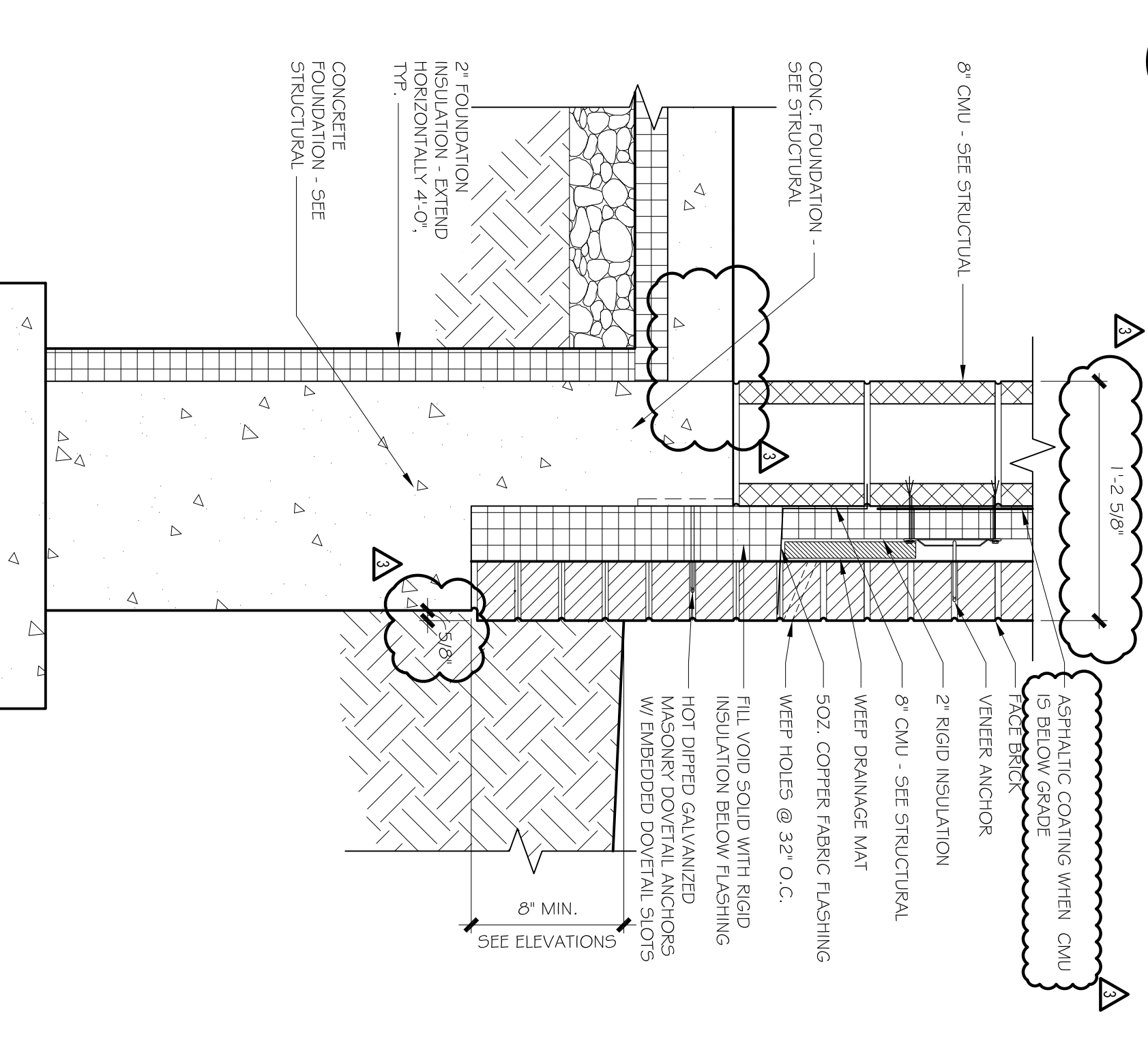
A1 THRESHOLD DETAIL
SCALE: 1 1/2" = 1'-0"



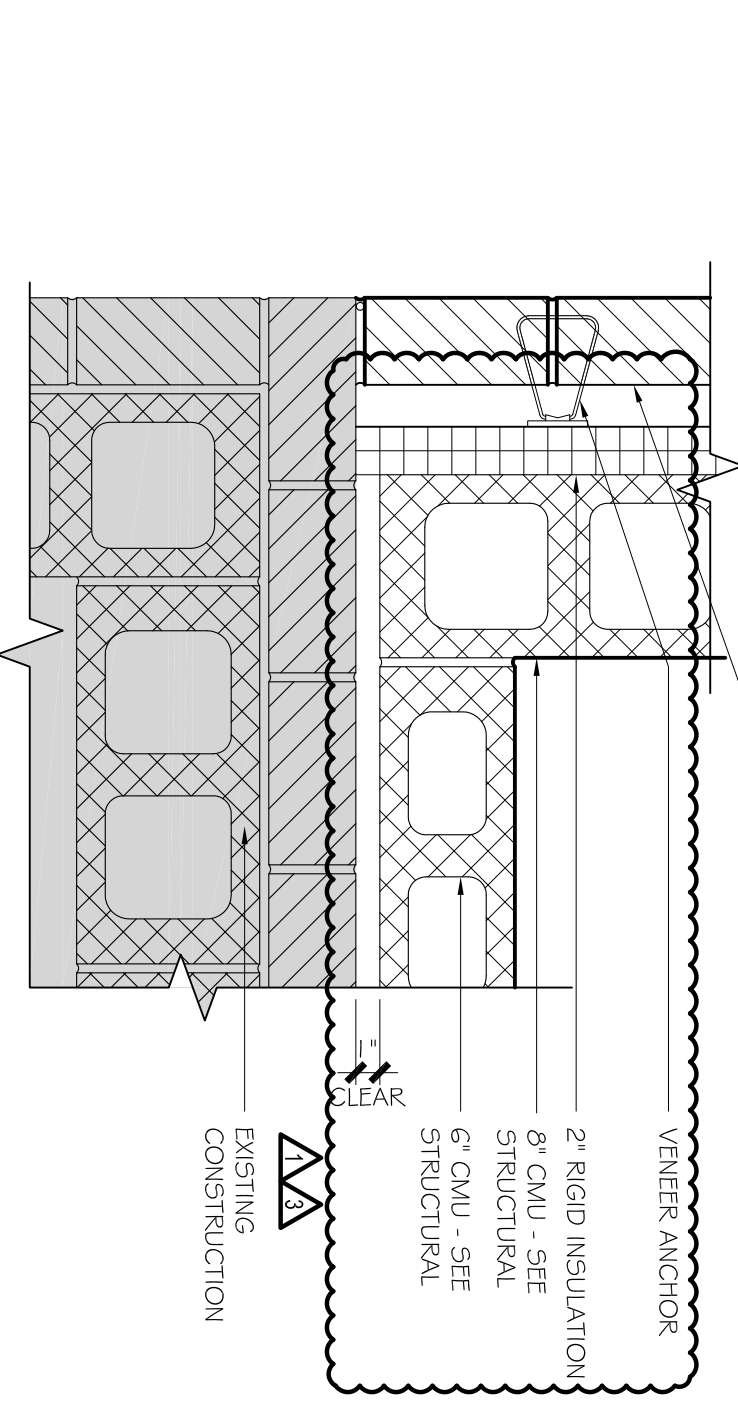
D11 CORRIDOR WALL HEAD
SCALE: 1 1/2" = 1'-0"



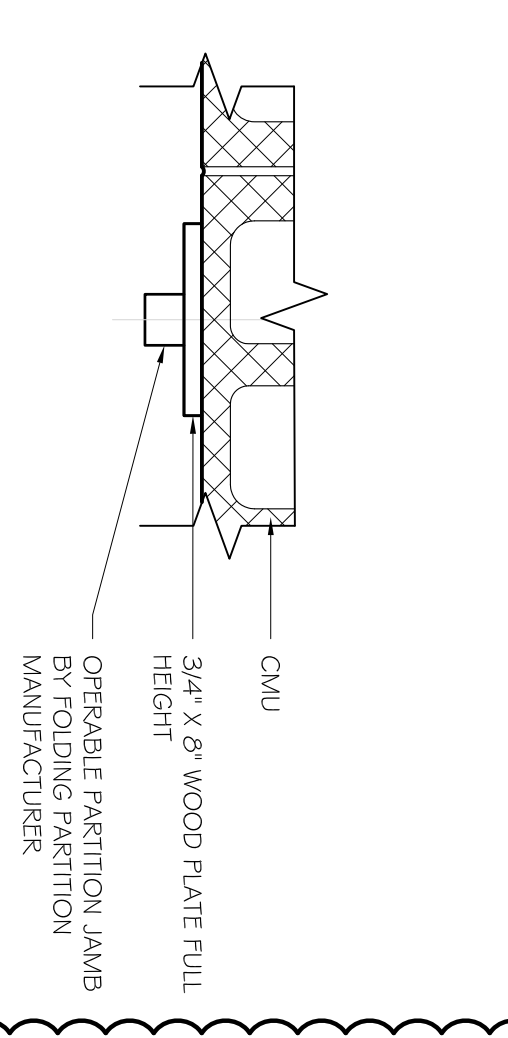
D6 DETAIL
SCALE: 1 1/2" = 1'-0"



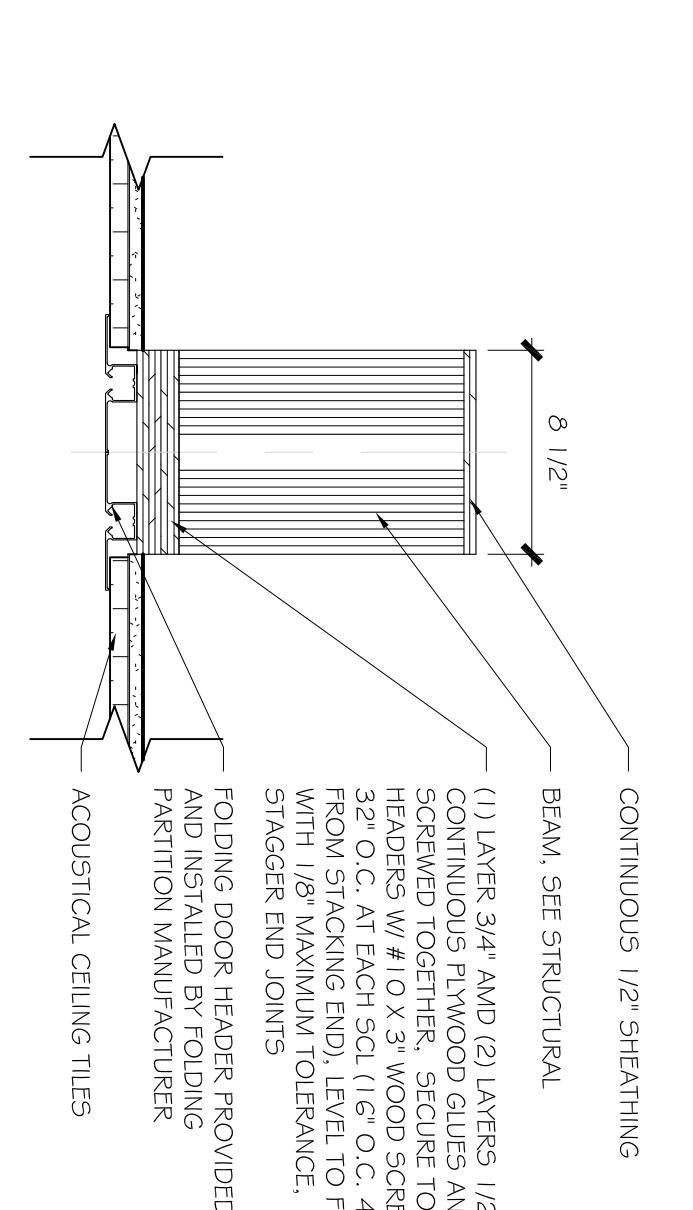
D1 DETAIL
SCALE: 1 1/2" = 1'-0"



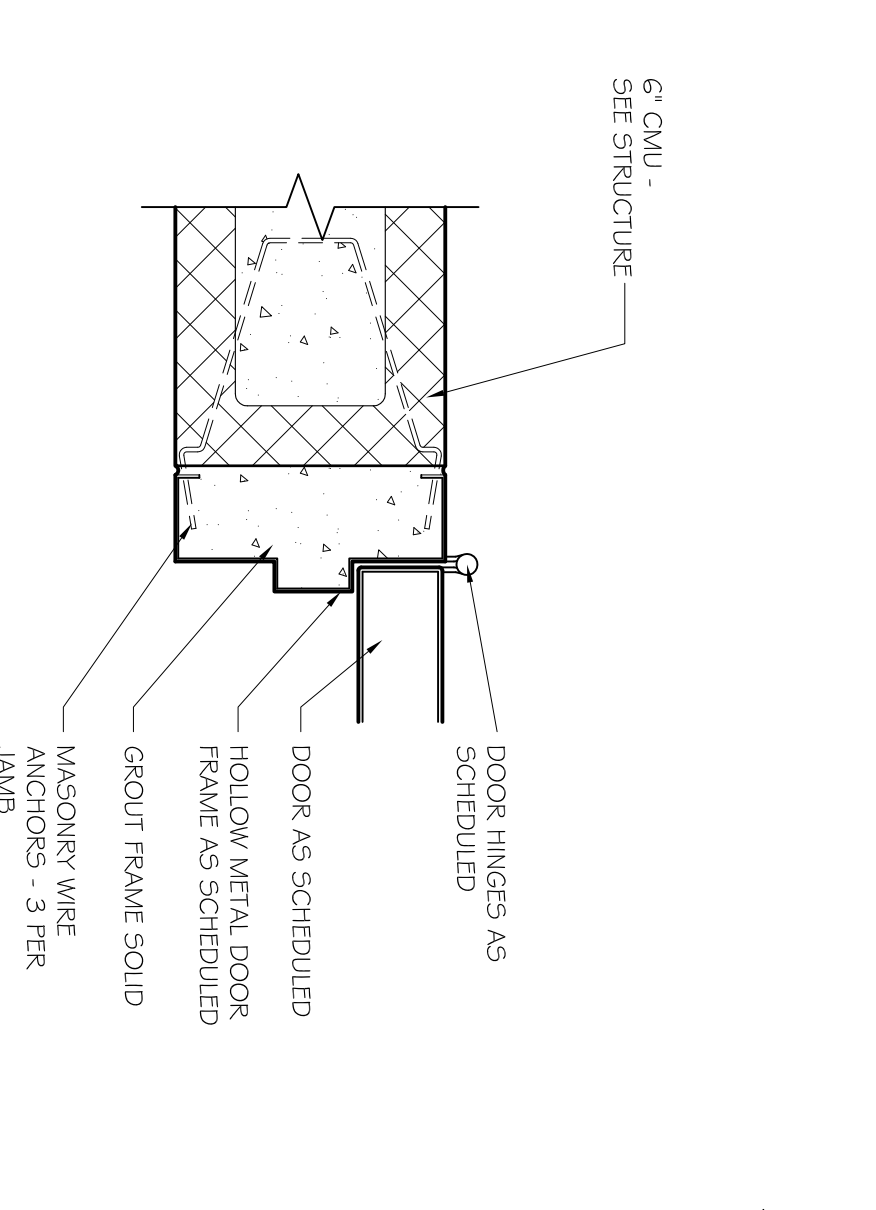
H9 CONTROL JOINT
SCALE: 1 1/2" = 1'-0"



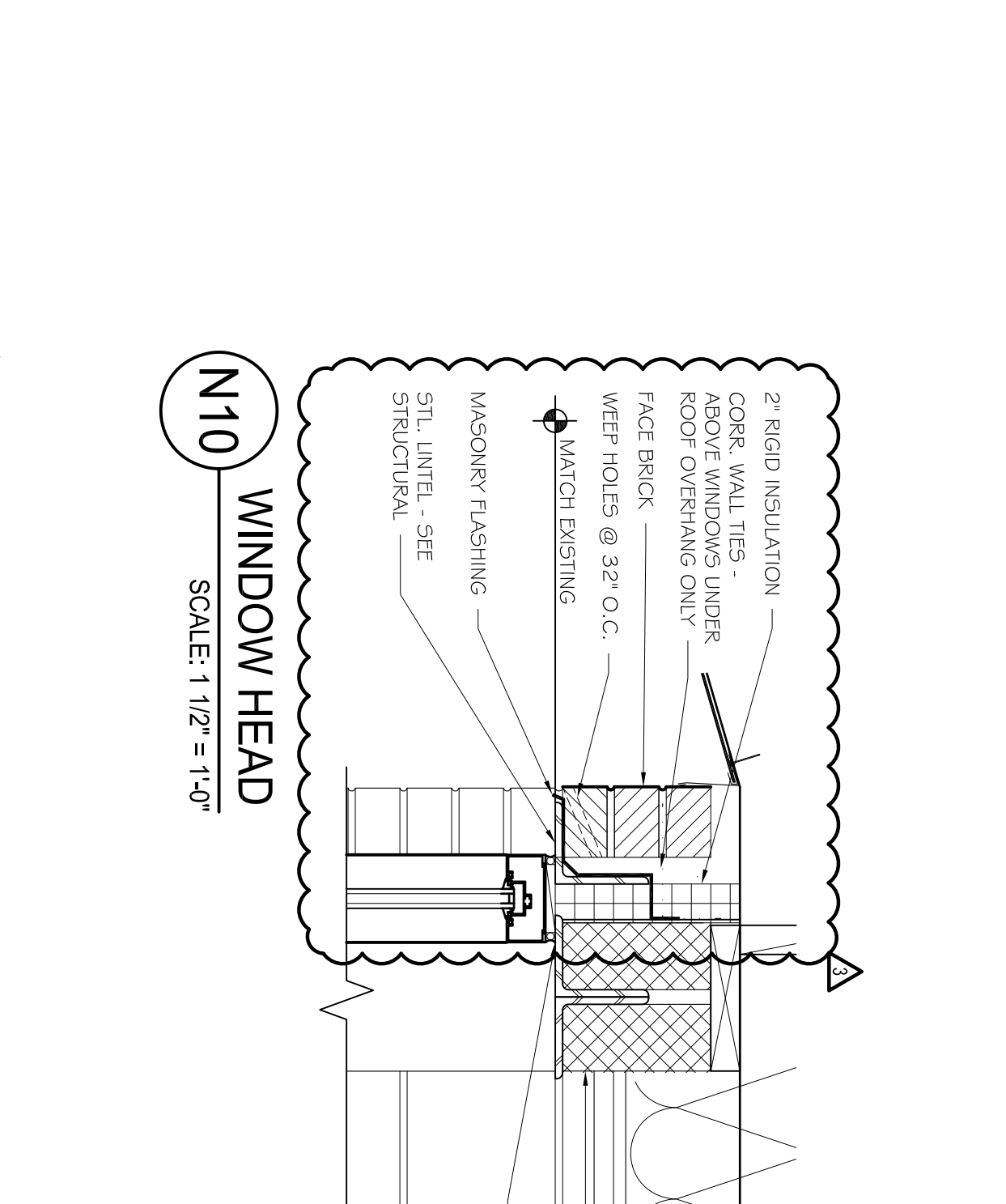
H7 OPERABLE PARTITION JAMB
SCALE: 1 1/2" = 1'-0"



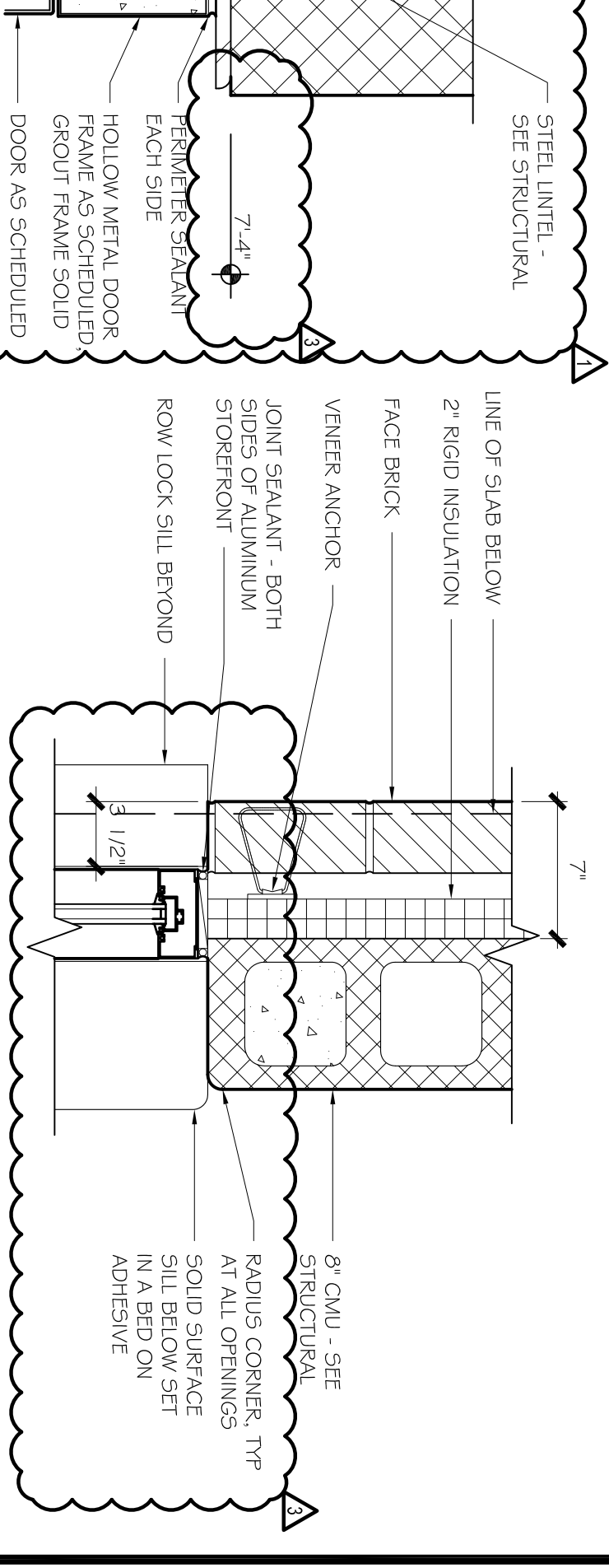
H4 OPERABLE PARTITION HEAD
SCALE: 1 1/2" = 1'-0"



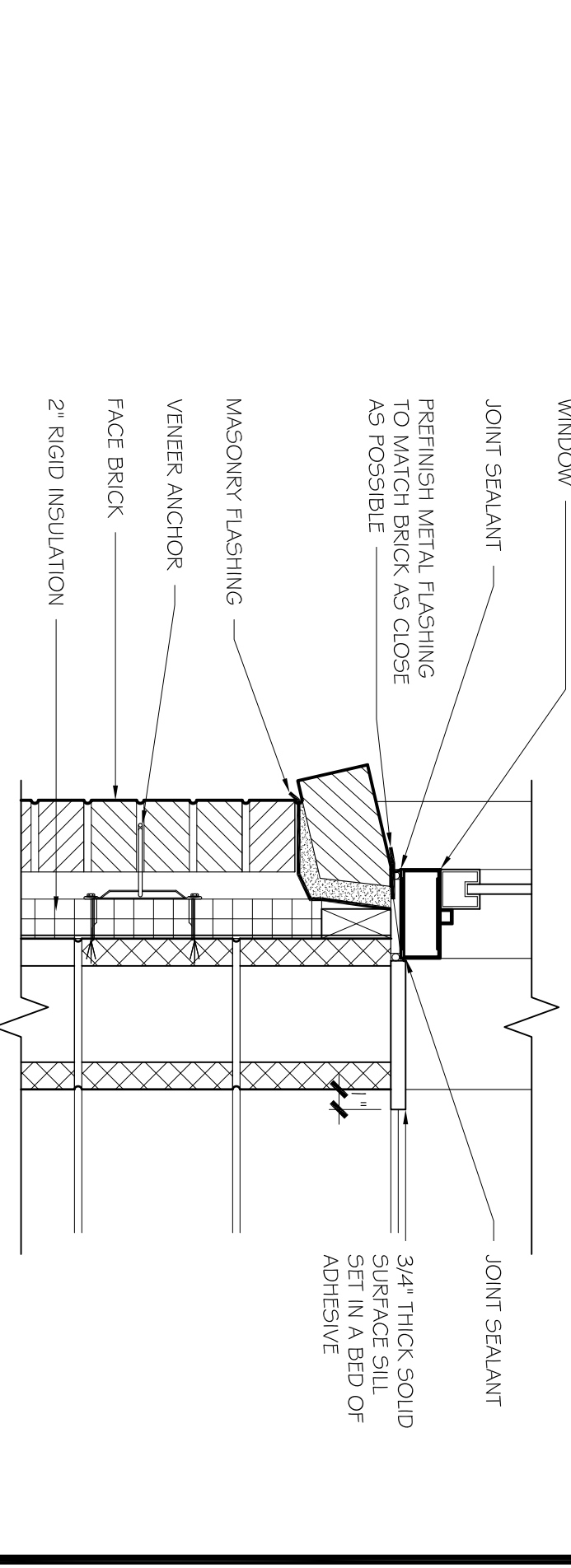
H1 JAMB DETAIL
SCALE: 3" = 1'-0"



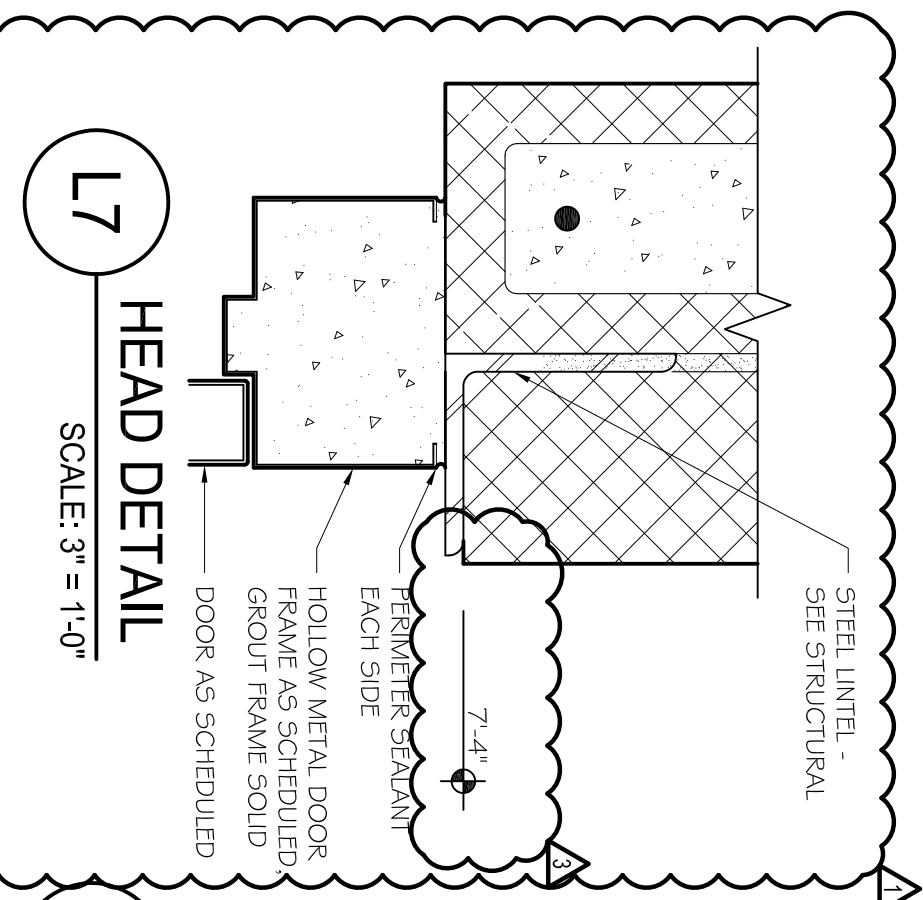
N10 WINDOW HEAD
SCALE: 1 1/2" = 1'-0"



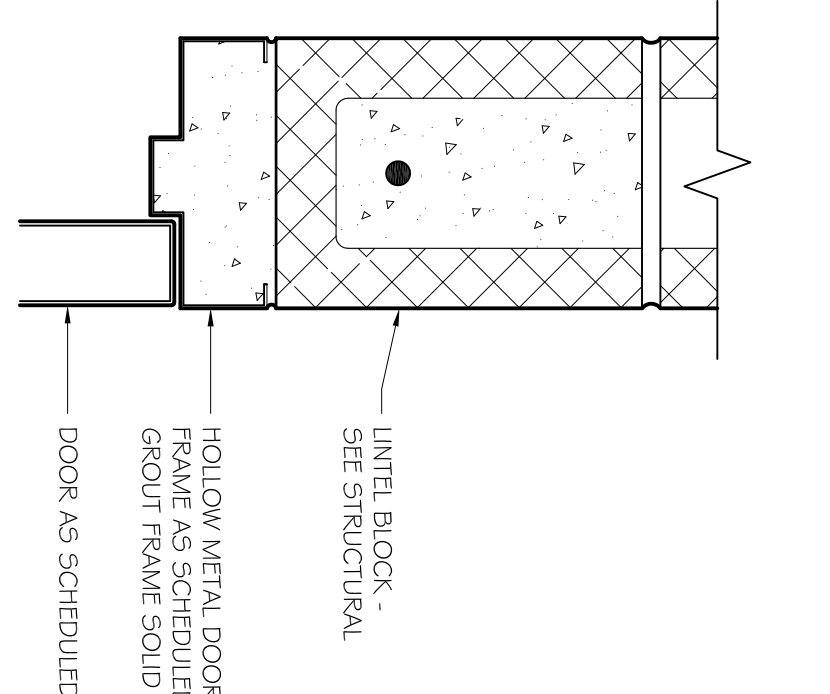
N7 WINDOW JAMB
SCALE: 1 1/2" = 1'-0"



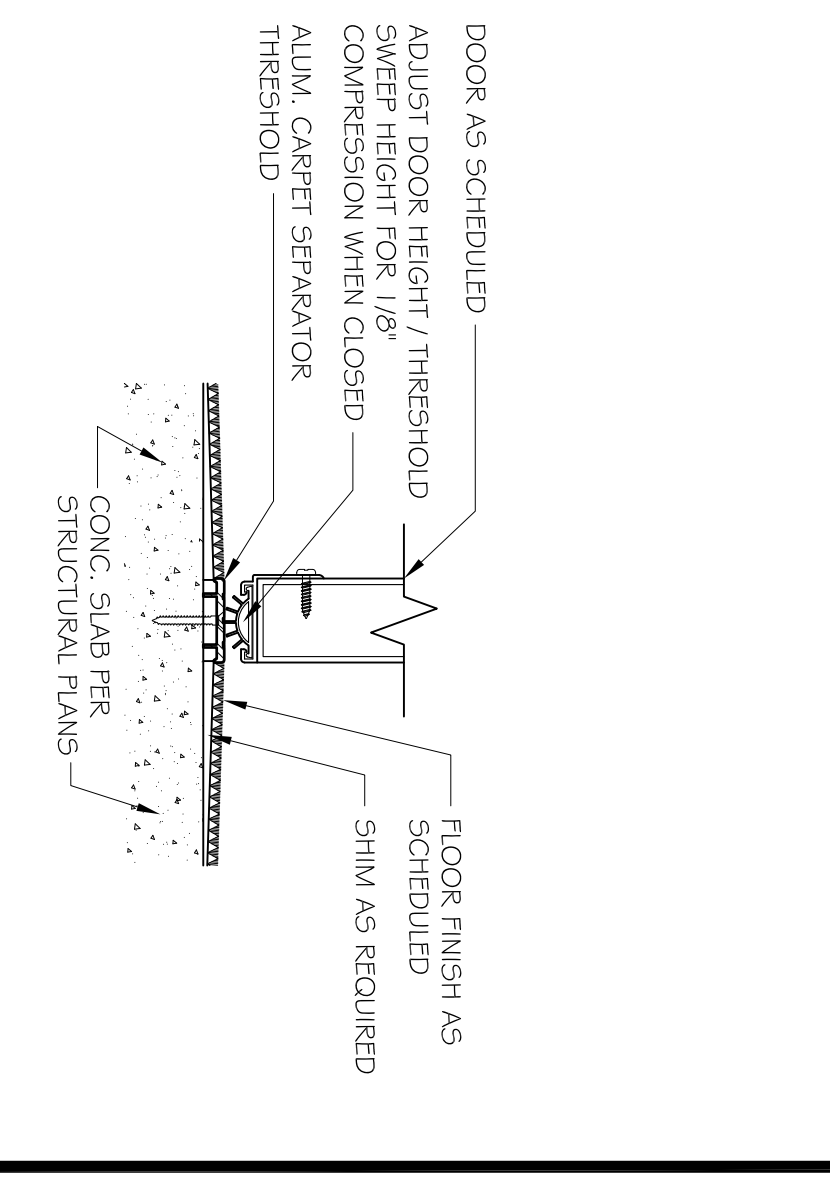
N4 WINDOW SILL
SCALE: 1 1/2" = 1'-0"



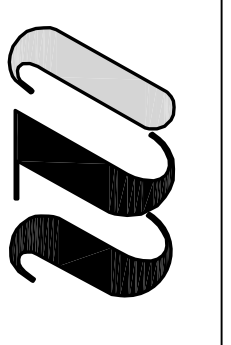
L7 HEAD DETAIL
SCALE: 3" = 1'-0"



L1 HEAD DETAIL
SCALE: 3" = 1'-0"



P1 SOUND CONTROL THRESHOLD DETAIL
SCALE: 3" = 1'-0"



L2M
ARCHITECTS

1241 Central Park Drive, Suite 115
Columbia, Maryland 21004
Phone: 410.861.1322
Fax: 410.861.1320
Architect / Engineer:

Hagerstown Ward
Meetinghouse Addition
& Parking Expansion

Project for:
THE CHURCH OF JESUS CHRIST OF LATTER-DAY SAINTS

Mark	Date (M-Y)	Description
17-AUG-15	ADDENDUM #2	
30-APR-15	COMMENT RESPONSE	
13-MAR-15	COMMENT RESPONSE	
30-SEP-14	BLDG PERMIT SUBMISSION	
14-NOV-13	CLIENT DESIGN APPROVAL	

Project Number:
13.162
Plan Series:
CUSTOM
Property Number:
514.7557

Sheet Title:
DETAILS

Sheet:
A-501