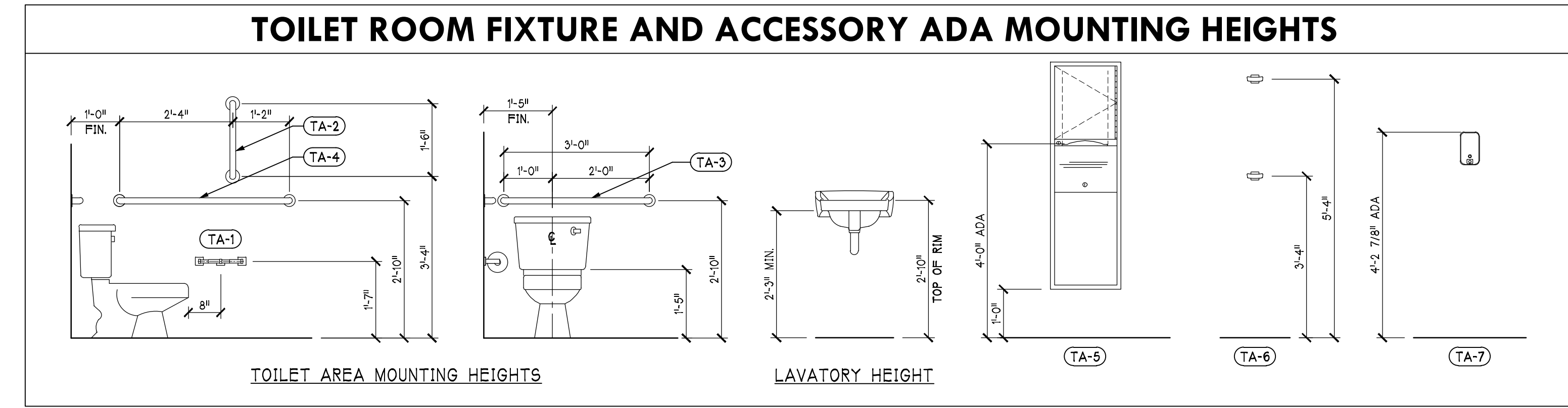


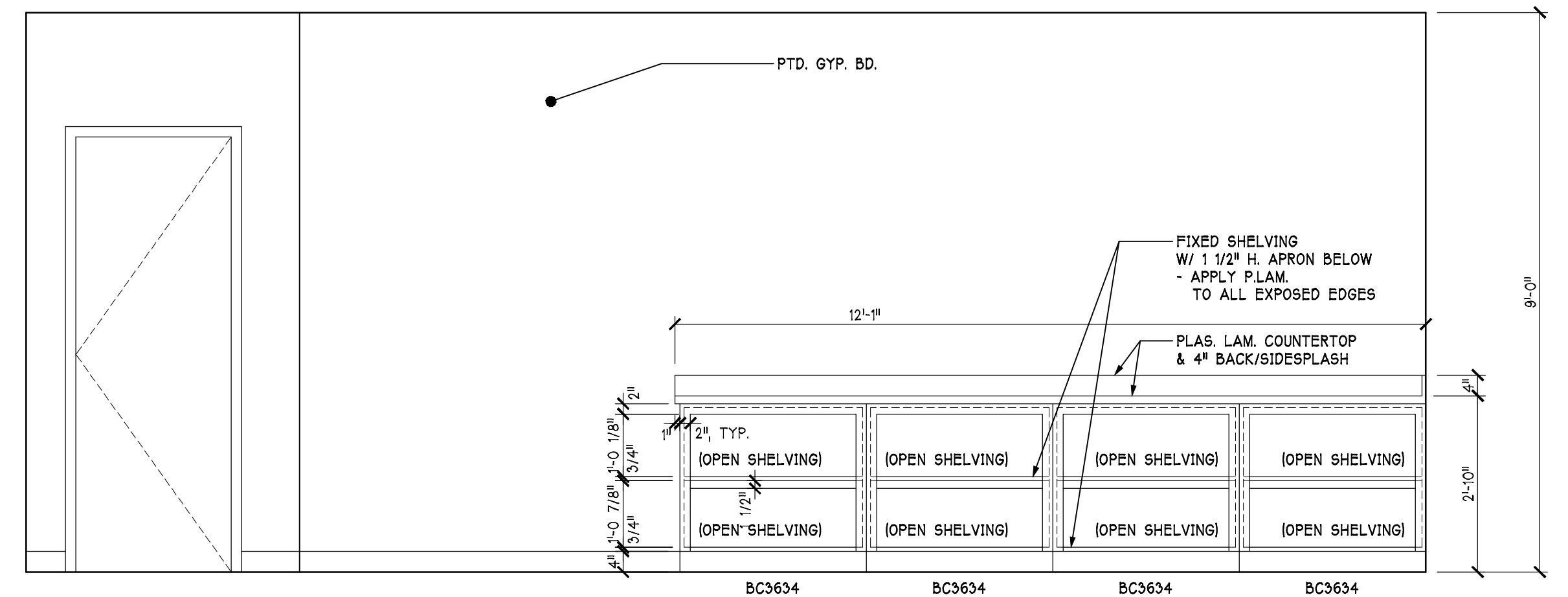
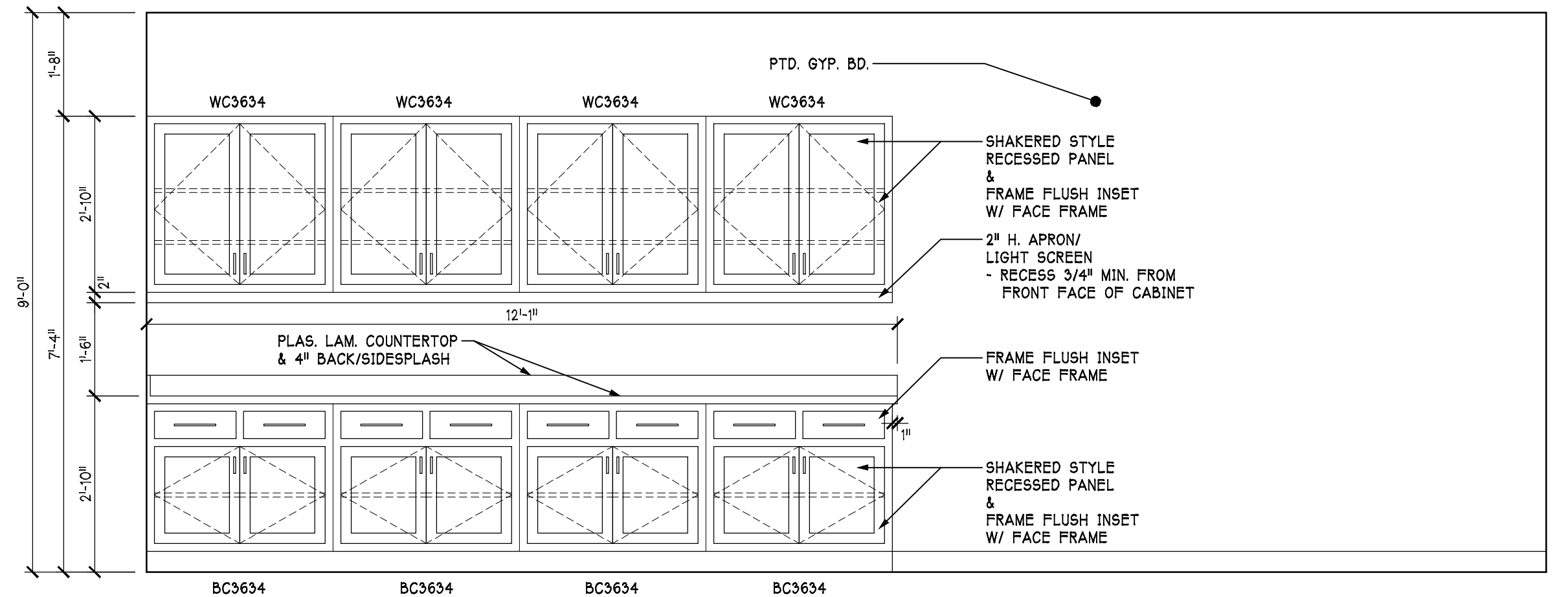
Revisions:

No:	Date:
No:	Date:
No:	Date:
No:	Date:
No:	Date:
No:	Date:
No:	Date:



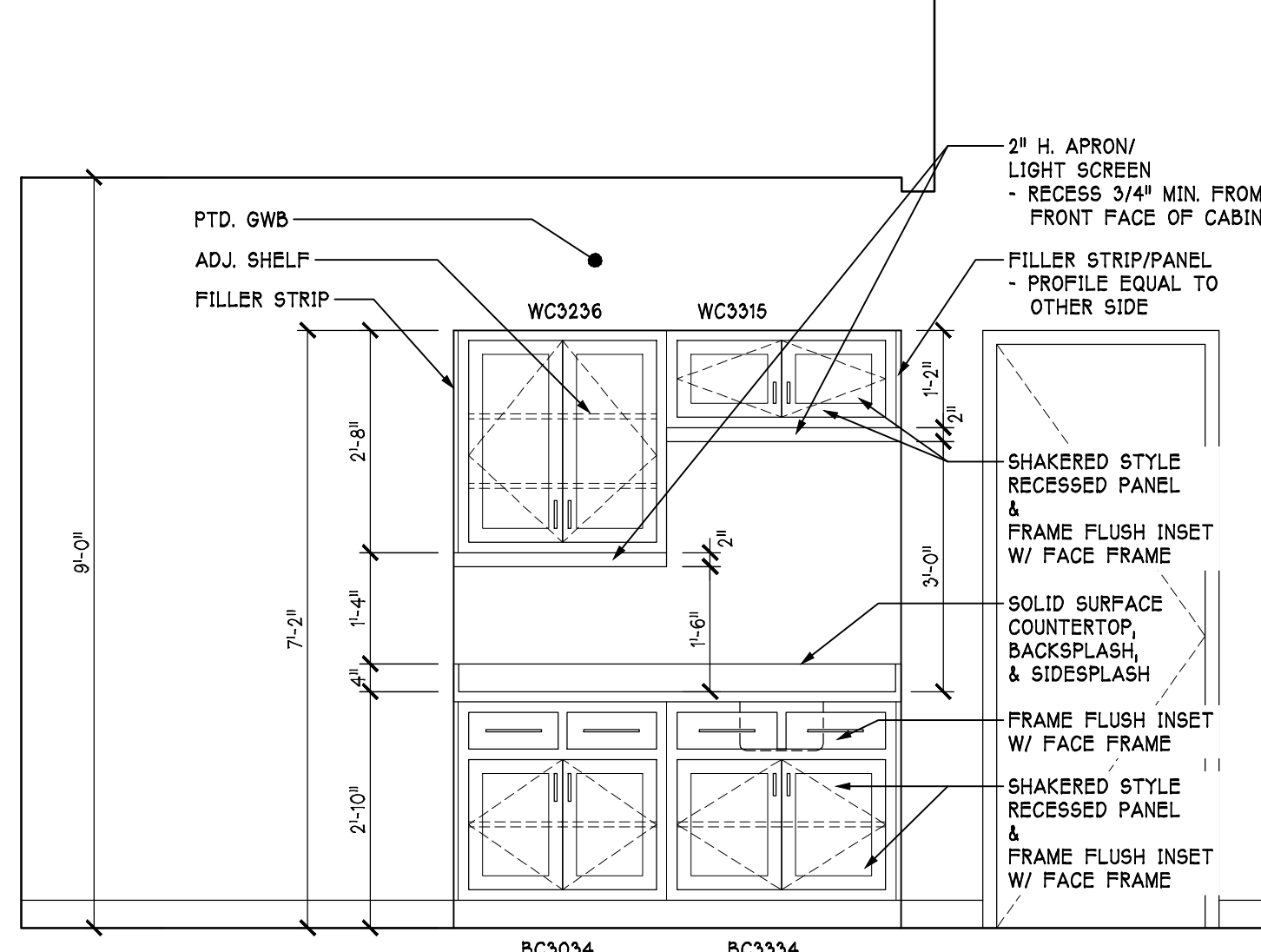
TOILET ROOM ACCESSORY SCHEDULE

ITEM	DESCRIPTION	MFR.	MODEL	LOCATION
TA-1	DOUBLE ROLL SURFACE MOUNTED TOILET TISSUE DISPENSERS	BOBRICK	B-2840	TOILET ROOMS 102, 131 & 132
TA-2	18" GRAB BAR	BOBRICK	B-6806 SERIES	TOILET ROOMS 102, 131 & 132
TA-3	36" GRAB BAR	BOBRICK	B-6806 SERIES	TOILET ROOMS 102, 131 & 132
TA-4	42" GRAB BAR	BOBRICK	B-6806 SERIES	TOILET ROOMS 102, 131 & 132
TA-5	SEMI-RECESSED PAPER TOWEL DISPENSER AND WASTE RECEPTACLE	BOBRICK	B-3942	TOILET ROOMS 102, 131 & 132
TA-6	SURFACE MOUNTED DOUBLE ROBE HOOK	BOBRICK	B-672	TOILET ROOMS 102, 131 & 132
TA-7	SURFACE MOUNTED SOAP DISPENSER	BOBRICK	B-2111	TOILET ROOMS 102, 131 & 132

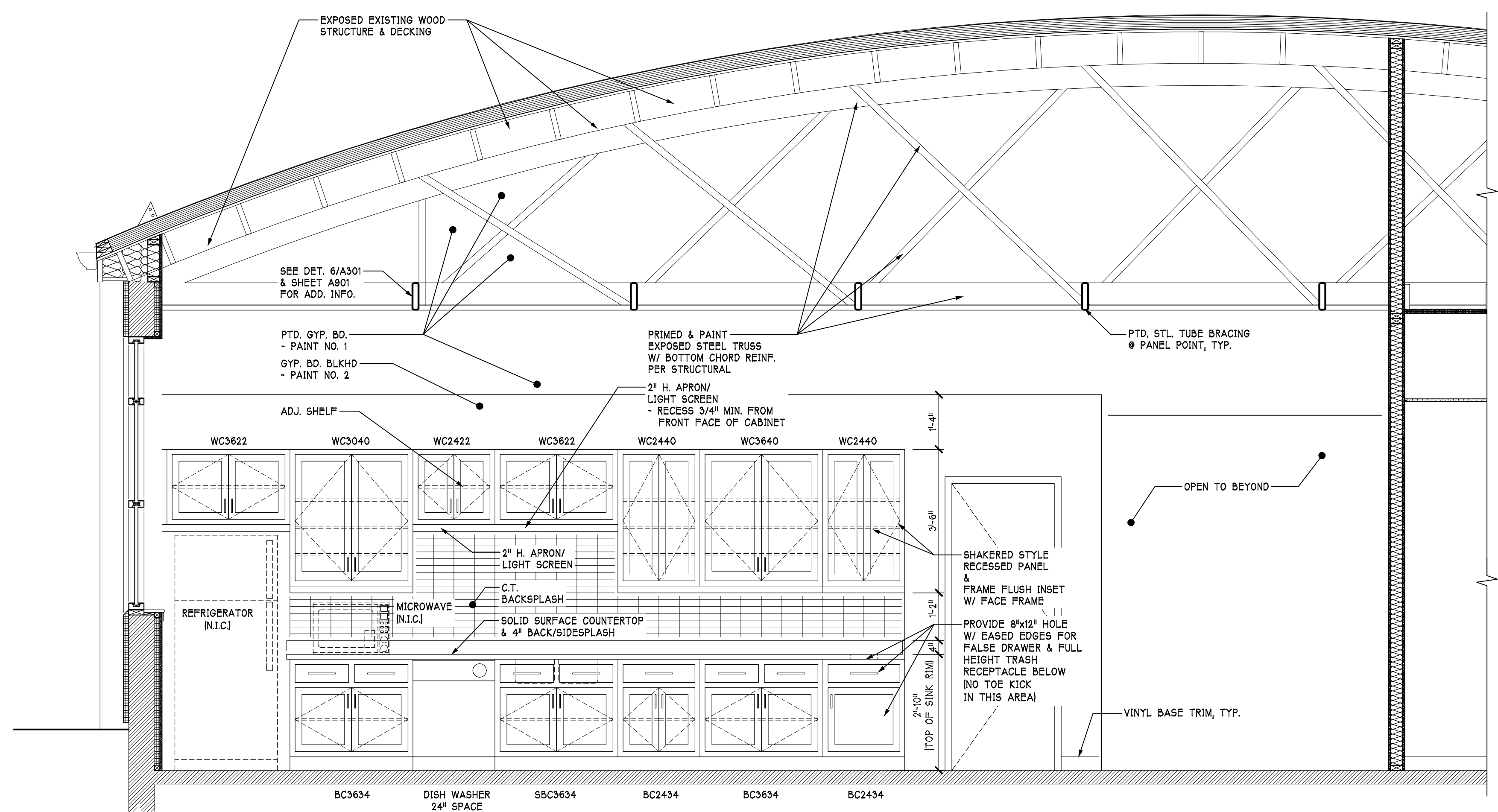


122 RESOURCE ROOM
 1/2" = 1'-0"

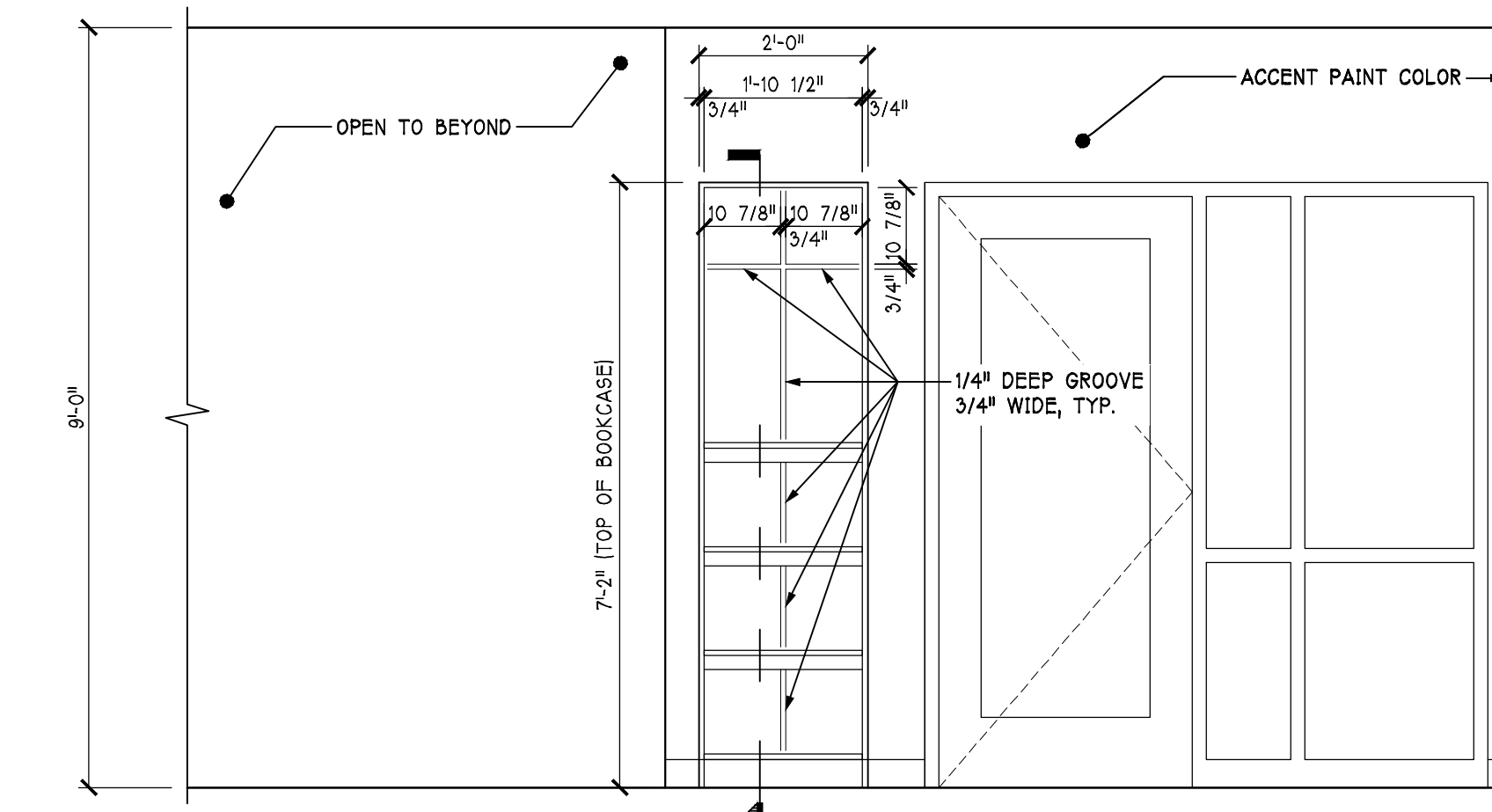
122 RESOURCE ROOM
 1/2" = 1'-0"



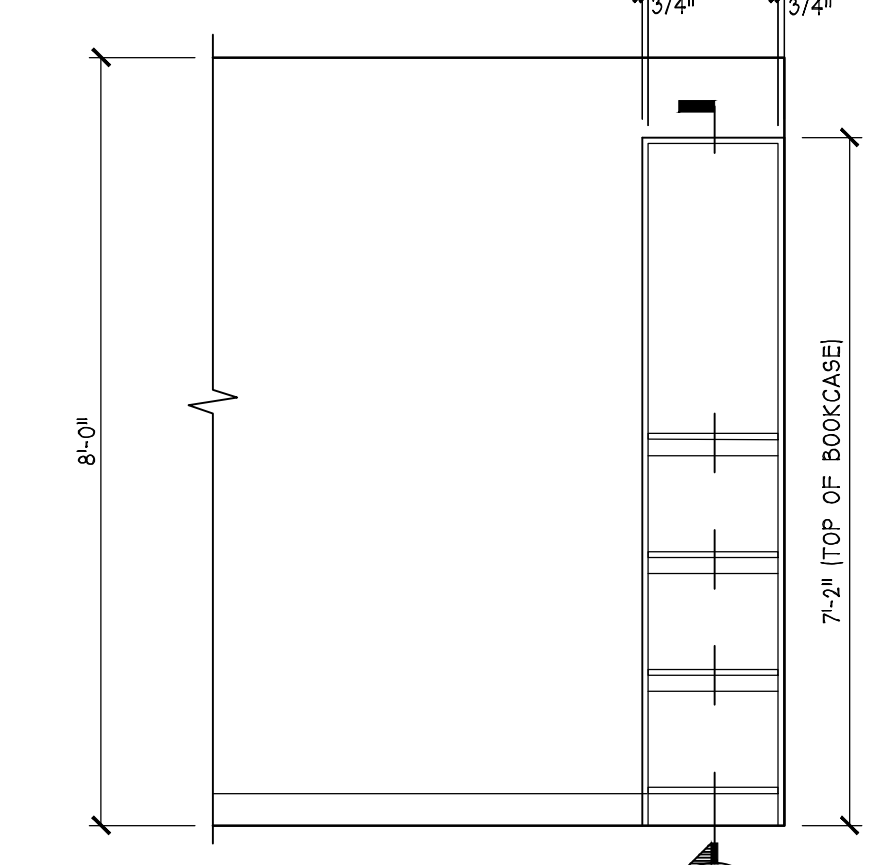
129 CONFERENCE ROOM
 1/2" = 1'-0"



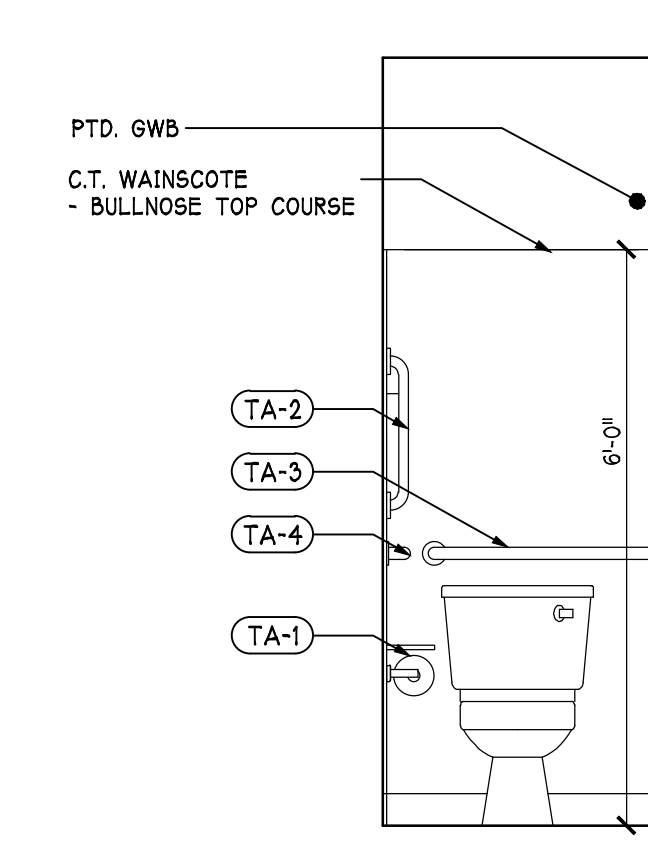
114 BREAK ROOM
 1/2" = 1'-0"



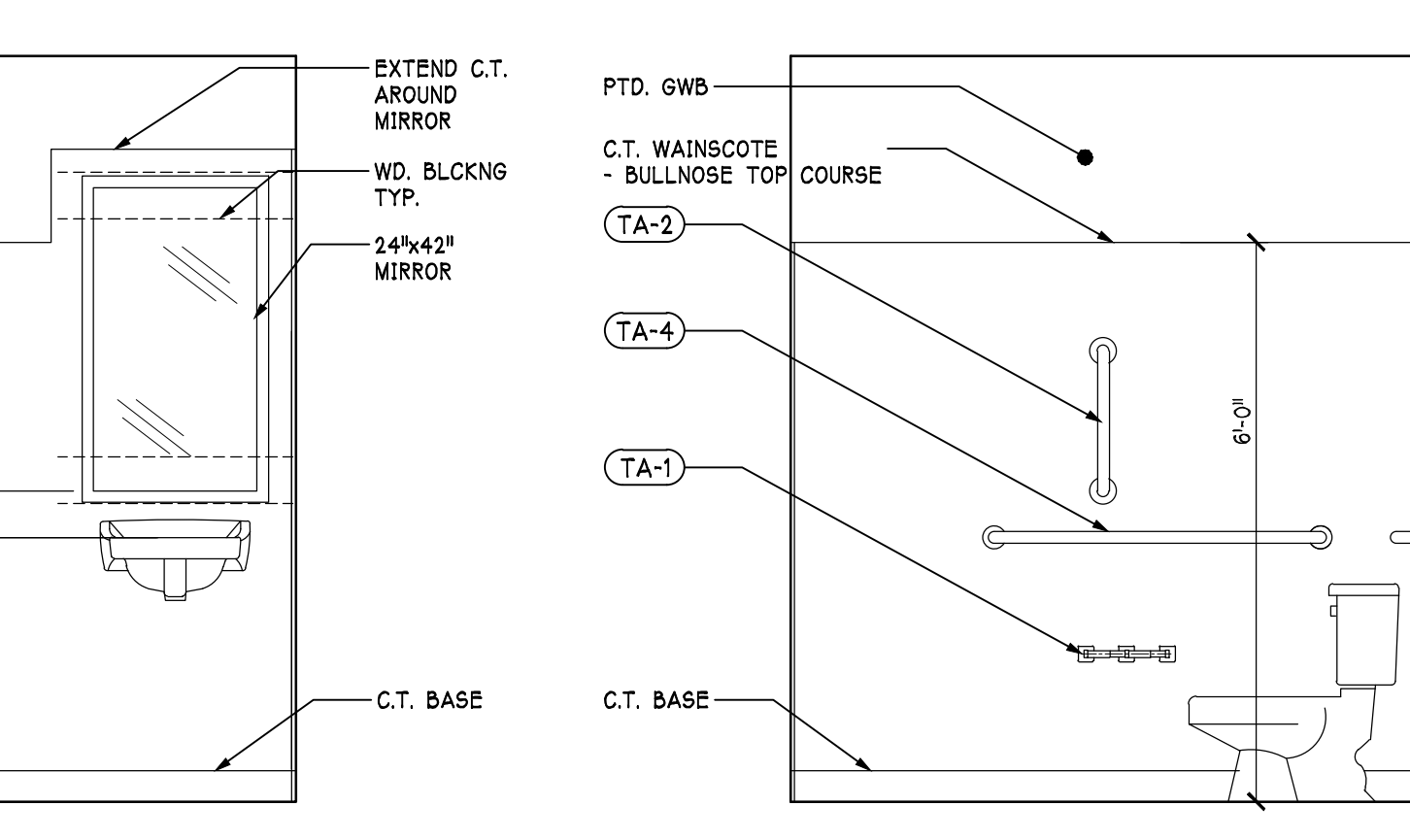
BOOKSHELF
 1/2" = 1'-0"



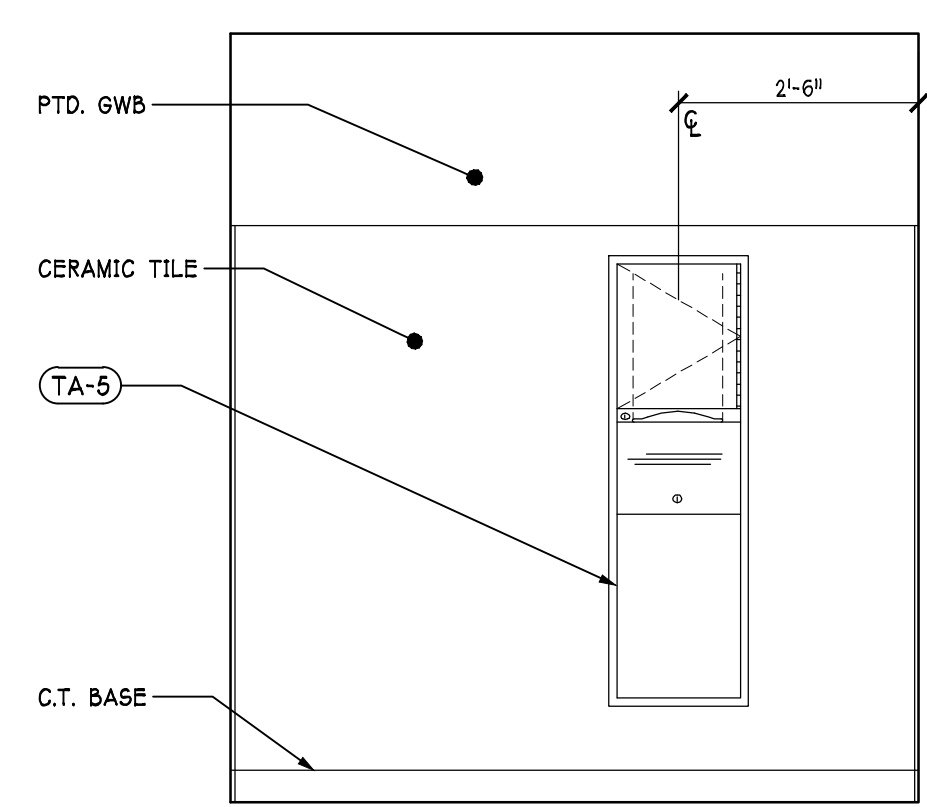
149 OFFICE
 1/2" = 1'-0"



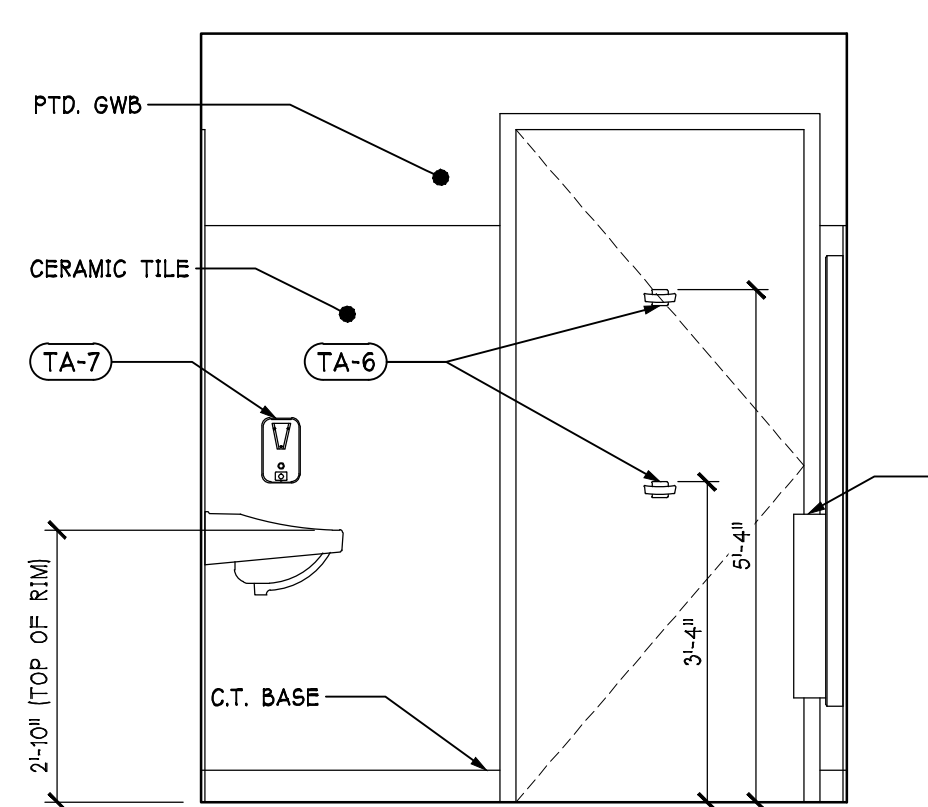
131 WOMENS T.R.
 132 MENS TOILET ROOM (SIM. & MIRRORED)
 1/2" = 1'-0"



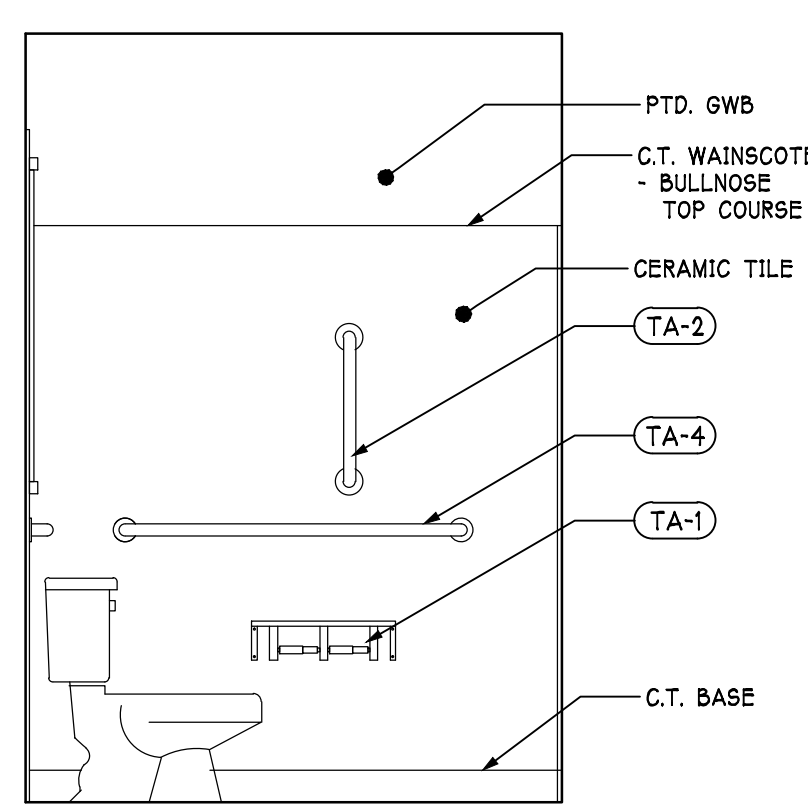
131 WOMENS T.R.
 132 MENS TOILET ROOM (SIM. & MIRRORED)
 1/2" = 1'-0"



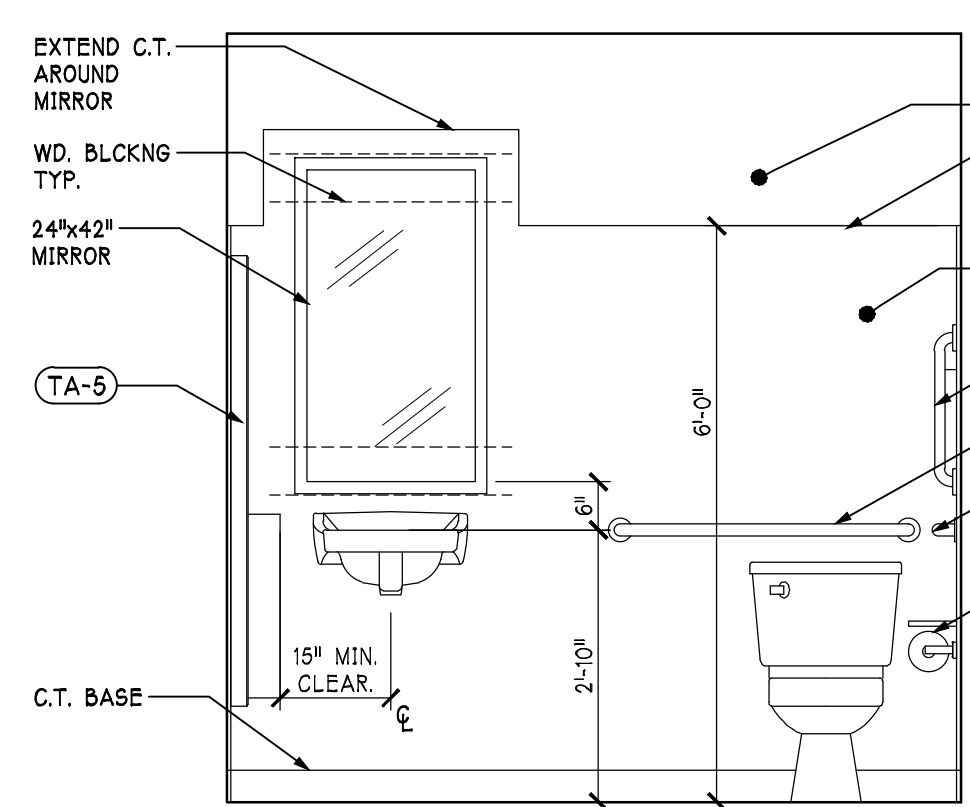
131 WOMENS T.R.
 132 MENS TOILET ROOM (SIM. & MIRRORED)
 1/2" = 1'-0"



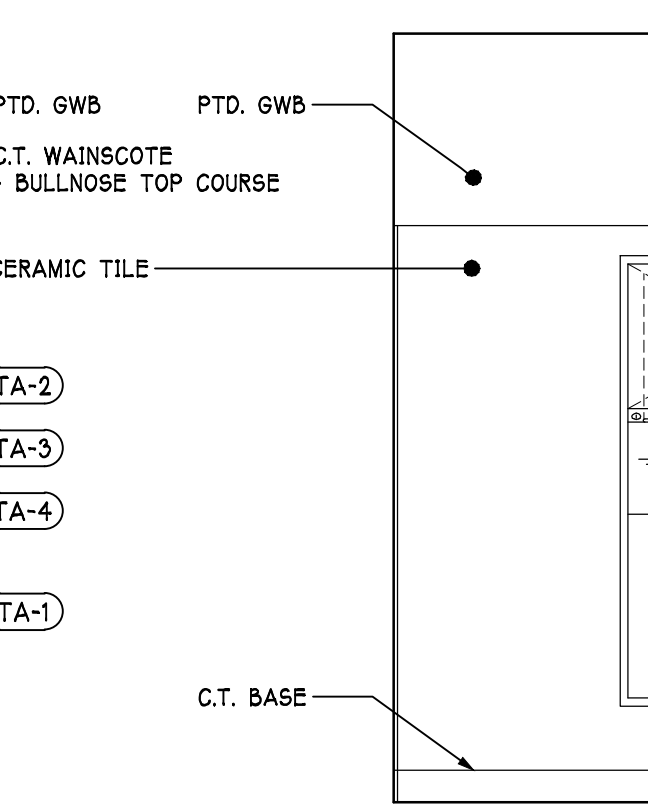
131 WOMENS T.R.
 132 MENS TOILET ROOM (SIM. & MIRRORED)
 1/2" = 1'-0"



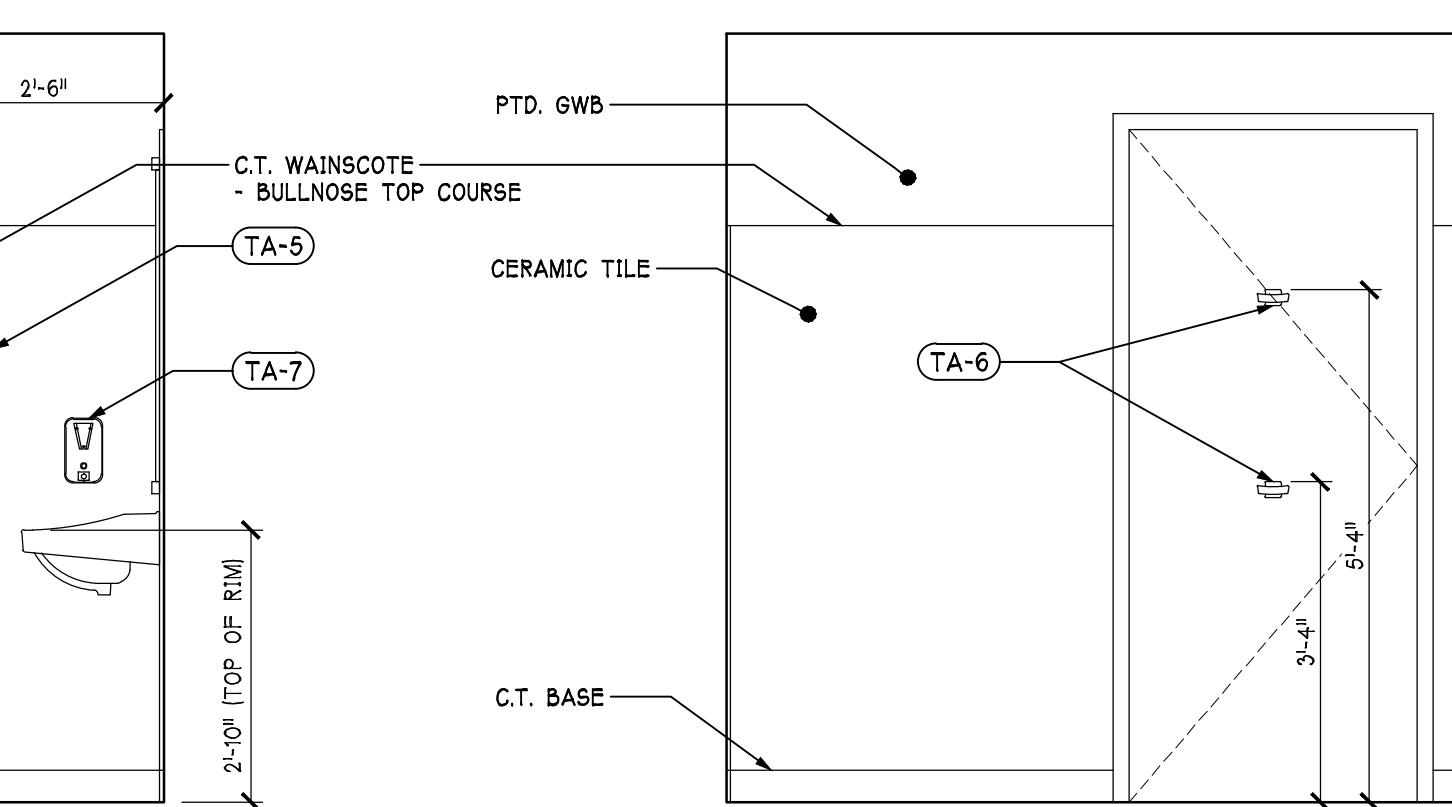
102 TOILET ROOM
 1/2" = 1'-0"



102 TOILET ROOM
 1/2" = 1'-0"



102 TOILET ROOM
 1/2" = 1'-0"



102 TOILET ROOM
 1/2" = 1'-0"