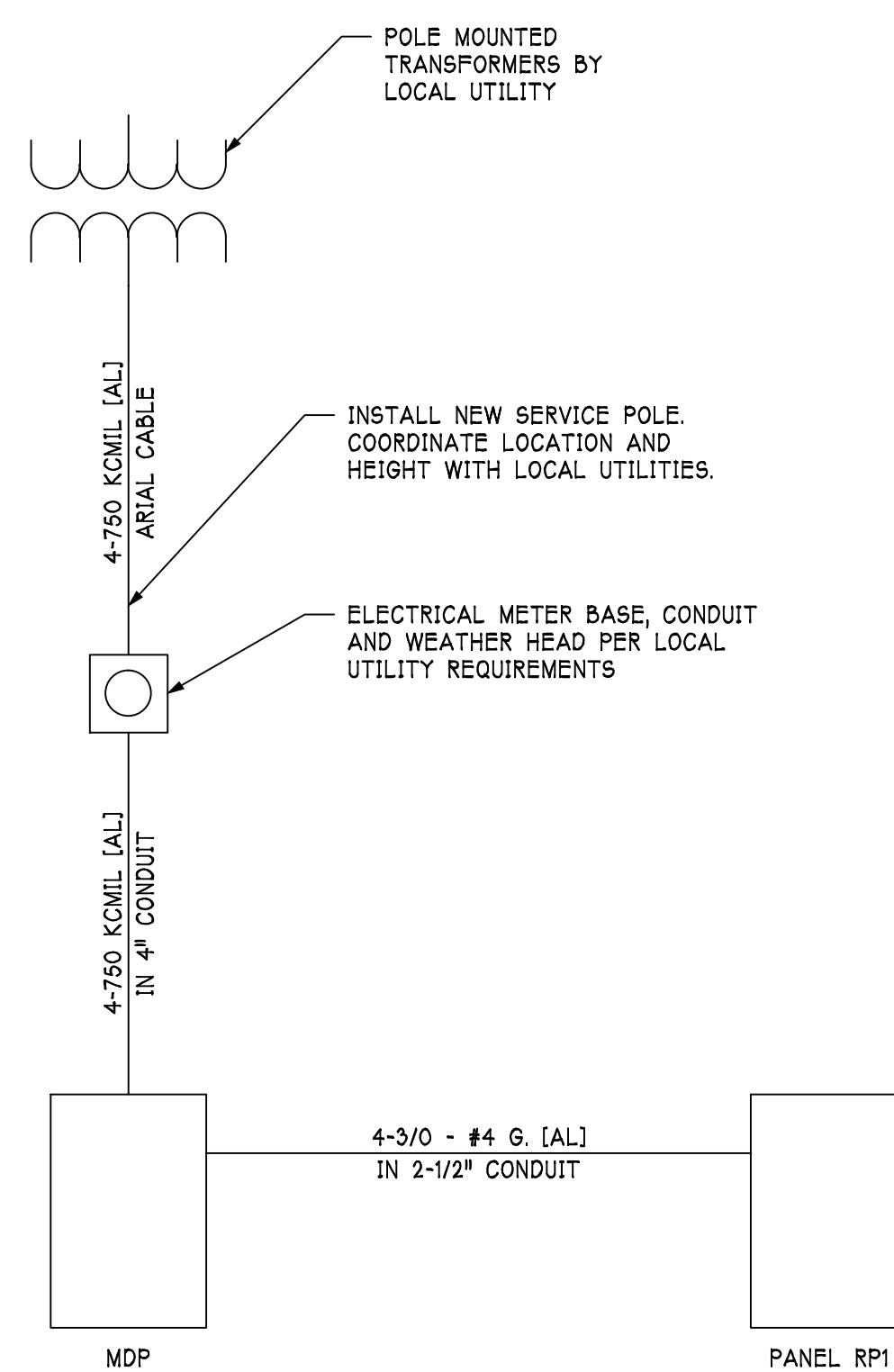


Revisions:

No:	Date:
No:	Date:
No:	Date:
No:	Date:
No:	Date:



**SINGLE LINE DIAGRAM**

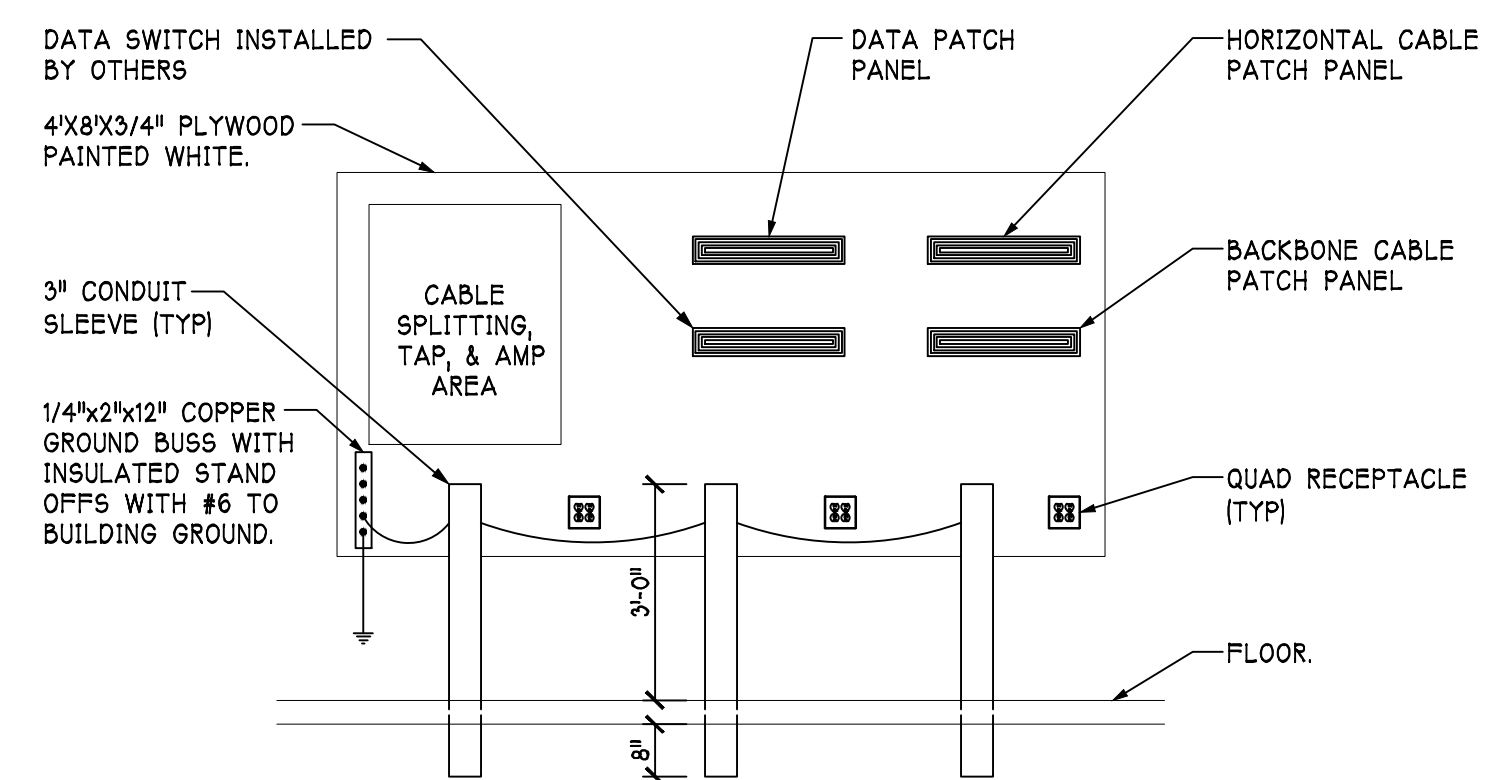
NOT TO SCALE

PANEL-MDP															
VOLTS/PHASE/WIRE: 120/208/3/4		PANEL SIZE: 400 A		MAIN TYPE & SIZE: 400 A MLO			NOTES: ---			CABINET: ---		MIN SCC: 100000		FED FROM: ---	
CIR. NO.	AREA SERVED	TRIP AMPS	NO. POLES	PHASE LOAD VA			PHASE LOAD VA			NO. POLES	TRIP AMPS	AREA SERVED	CIR. NO.		
				A	B	C	A	B	C						
1	RECEPTS - WORK RM 136	20	1	900			18			1	20	LIGHTING - RMS 136	2		
3	RECEPTS - CONF. RM 129	20	1		1260	1080		394	982	1	20	LIGHTING - RMS 131,132	4		
5	RECEPTS - J.C. 133	20	1							1	20	LIGHTING - RMS 139-142	6		
7	RECEPTS - RMS 136,137	20	1	1080			274			1	20	LIGHTING - CORR 135,147	8		
9	RECEPTS - WORK RM 136	20	1		1260			612		1	20	LIGHTING - RMS 139-142	10		
11	RECEPTS - RMS 139-142	20	1			1260			728	1	20	LIGHTING - RMS 119,120,134	12		
13	RECEPTS - RMS 143,145,146	20	1	1260			123			1	20	LIGHTING - CORR	14		
15	RECEPTS - OFFICE 140	20	1		1260			790		1	20	LIGHTING - RMS 136-138	16		
17	SPACE	0	1			0			580	1	20	LIGHTING - BLDG EXTERIOR	18		
19	SPACE	0	1			0				1	0	SPACE	20		
21	RECEPTS - WORK RM 139	20	1		900	540				1	0	SPACE	22		
23	RECEPTS - MAINT 150	20	1							1	0	SPACE	24		
25	RECEPTS - MAINT 150	20	1	360						1	0	SPACE	26		
27	RECEPTS - CONF. RM 146	20	1		720					1	0	SPACE	28		
29	RECEPTS - OFFICE 145	20	1			1440				1	0	SPACE	30		
31	RECEPTS - OFFICE 140,141	20	1	1800						1	0	SPACE	32		
33	RECEPTS - CONF. RM 129	20	1		1080					1	0	SPACE	34		
35	RECEPTS - CONF. RM 134	20	1			900				1	0	SPACE	36		
37	SPACE	0	1			0				1	0	SPACE	38		
39	SPACE	0	1			0				1	0	SPACE	40		
41	RECEPTS - OFFICE 138	20	1			1080				1	0	SPACE	42		
43	RECEPTS - OFFICE 149	20	1	720						1	0	SPACE	44		
45	SPACE	0	1			0				1	0	SPACE	46		
47	SPACE	0	1			0				1	0	SPACE	48		
49	SPACE	0	1			0				1	0	SPACE	50		
51	MECH DAMP - CORR 127	20	1		900					1	0	SPACE	52		
53	EF-6 - BASEMENT	20	1			185			300	1	20	EF-5 - MAINT 150	54		
55	P-1 - BASEMENT SUMP	20	1	180			5520			3	50	RTU-3 - EAST GRND	56,58,60A		
57	P-2 - BASEMENT	20	1		180			5520		3	50	RTU-3 - EAST GRND	56,58,60A		
59,61	WH-1 - BASEMENT	30	2			2250			5520	3	50	RTU-3 - EAST GRND	56,58,60A		
59,61	WH-1 - BASEMENT	30	2	2250			1500			2	20	EUH-1 - BASEMENT	62,64		
63,65	EUH-2 - VEST 101	60	2		5000			1500		2	20	EUH-1 - BASEMENT	62,64		
63,65	EUH-2 - VEST 101	60	2			5000			750	2	15	EW-1 - VEST 101	66,68		
67,69	EUH-2 - MAINT 150	60	2	5000			750			2	15	EW-1 - VEST 101	66,68		
67,69	EUH-2 - MAINT 150	60	2		5000			750		2	15	EW-1 - EAST ENTRY	70,72		
71,73	EW-1 - CORR 147	15	2		750			7032		3	70	RTU-1 - ROOF	74,76,78		
75,77	EW-1 - VEST 128	15	2		750			7032		3	70	RTU-1 - ROOF	74,76,78		
75,77	EW-1 - VEST 128	15	2			750			7032	3	70	RTU-1 - ROOF	74,76,78		
79,81,83	PANEL RP1	150	3	7163			3660			3	40	RTU-2 - ROOF	80,82,84		
79,81,83	PANEL RP1	150	3		8252			3660		3	40	RTU-2 - ROOF	80,82,84		
79,81,83	PANEL RP1	150	3			7127			3660	3	40	RTU-2 - ROOF	80,82,84		
TOTAL				40340	46820	42664									
TOTAL KVA					129.8										
TOTAL AMPS					360.4										
DEMAND AMPS					330.4										

LOAD CATEGORY	CONN.	LOAD	DEMAND FACTOR	DIVERSIFIED LOAD
Cooling and Heating		0.5	1.00	0.5
Equipment	48.6	1.00	48.6	
Heating	29.0	1.00	29.0	
Lighting	8.1	1.25	10.2	
Lighting - Exterior	0.6	1.25	0.7	
Motors	0.0	1.00	0.0	
Motors (Largest)	0.2	1.25	0.2	
Receptacles (0 - 10 KVA)	10.0	1.00	10.0	
Receptacles (Over 10 KVA)	28.3	0.50	14.2	
Electric Water Heater	4.5	1.25	5.6	

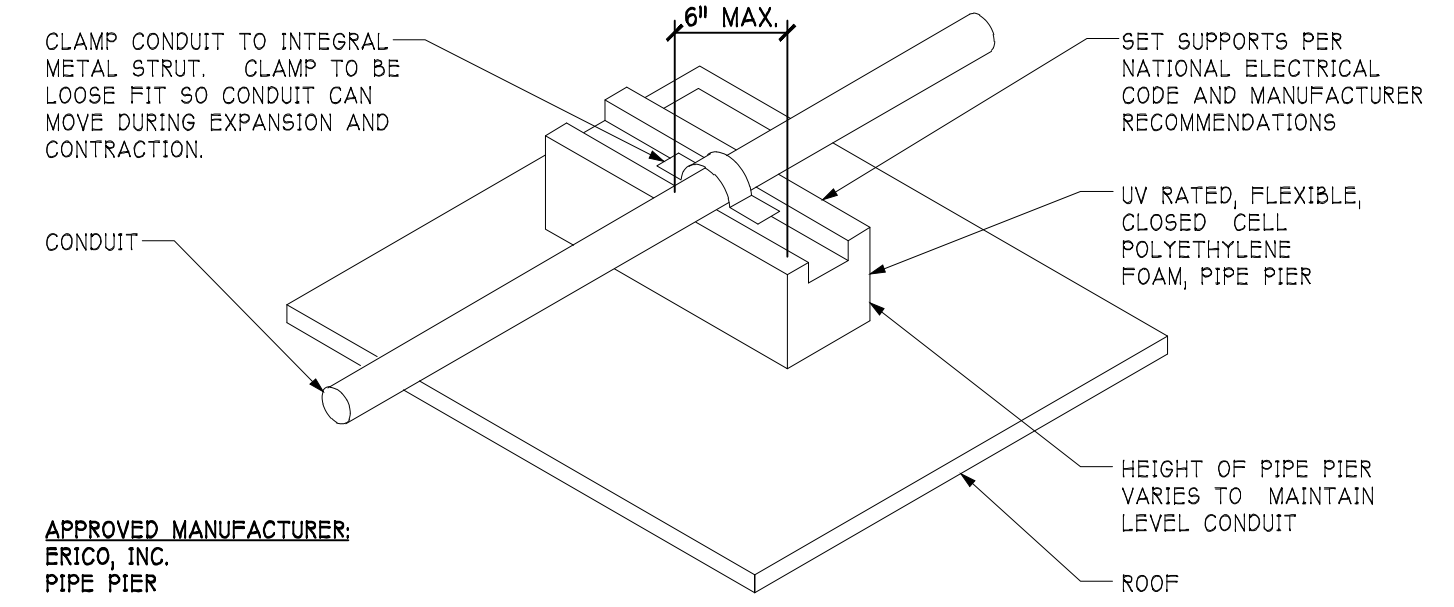
PANEL-RP1															
VOLTS/PHASE/WIRE: 120/208/3/4		PANEL SIZE: 150 A		MAIN TYPE & SIZE: 150 A MLO			NOTES: ---			CABINET: ---		MIN SCC: 100000		FED FROM: ---	
CIR. NO.	AREA SERVED	TRIP AMPS	NO. POLES	PHASE LOAD VA			PHASE LOAD VA			NO. POLES	TRIP AMPS	AREA SERVED	CIR. NO.		
				A	B	C	A	B	C						
1	RECEPTS - 102, 103, 104	20	1	1080			750			1	20	LIGHTING - RMS 101,108,109	2		
3	RECEPTS - RECEPTION 108	20	1		900			740		1	20	LIGHTING - RMS 104-107	4		
5	RECEPTS - OFFICE 107	20	1			900			658	1	20	LIGHTING - CORR 103, 114	6		
7	RECEPTS - OFFICE 107	20	1	540			833			1	20	LIGHTING - RMS 110,117	8		
9	RECEPTS - RMS 110,117	20	1		1260			492		1	20	LIGHTING - RMS 124,125,128	10		
11	DISPOSAL - BRK RM 114	20	1			864			745	1	20	LIGHTING - RMS 119,120,134	12		
13	RECEPTS - BREAK RM 114	20	1	720			180			1	20	RECEPTS - RESOURCE 122	14		
15	RECEPTS - RMS 114,122	20	1		720			900		1	20	RECEPTS - OFFICE 106	16		
17	RECEPTS - BREAK RM 114	20	1			360				1	0	SPACE	18		
19	RECEPTS - RMS 125,128	20	1	1440						1	0	SPACE	20		
21	RECEPTS - SR PASTOR 120	20	1		1260					1	0	SPACE	22		
23	RECEPTS - OFFICE 126	20	1			1080				1	0	SPACE	24		
25	RECEPTS - ADMIN 119	20	1	1080						1	0	SPACE	26		
27	RECEPTS - CORR 103	20	1		1080					1	0	SPACE	28		
29	RECEPTS - BRK RM 114	20	1			180				1	0	SPACE	30		
31	RECEPTS - COPIER	20	1	180						1	0	SPACE	32		
33	RECEPTS - RES. RM 122	20	1		540					1	0	SPACE	34		
35	RECEPTS - EXEC. PASTOR 117	20	1			1080				1	0	SPACE	36		
37	RECEPTS - RECORDS 109	20	1	360						1	0	SPACE	38		
39	RECEPTS - RECORDS 109	20	1		360					1	0	SPACE	40		
41	RECEPTS - RECORDS 109	20	1			1260				1	0	SPACE	42		
TOTAL				7163	8252	7127									
TOTAL KVA					22.9										
TOTAL AMPS					62.6										
DEMAND AMPS					53.9										

LOAD CATEGORY	CONN.	LOAD	DEMAND FACTOR	DIVERSIFIED LOAD
Lighting		4.2	1.25	5.3
Receptacles (0 - 10 KVA)	10.0	1.00	10.0	
Receptacles (Over 10 KVA)	8.3	0.50	4.2	



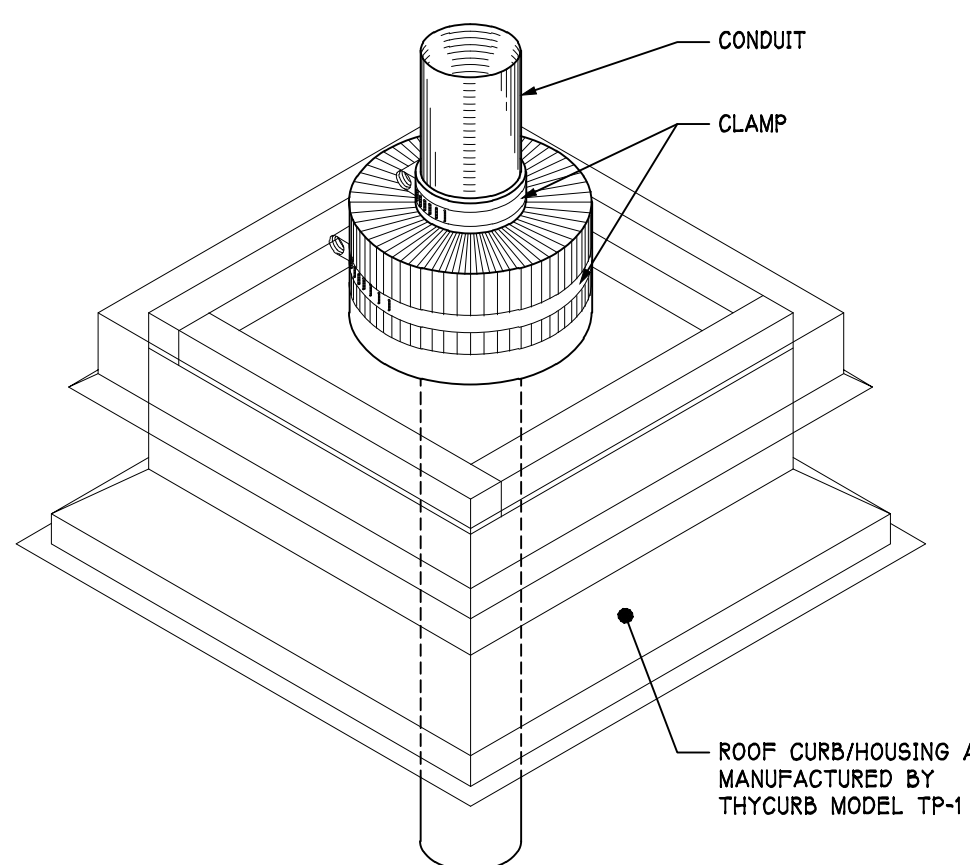
**PHONE, DATA, & CATV IDF DETAIL**

NOT TO SCALE



**ROOF MOUNTED CONDUIT SUPPORT DETAIL**

NOT TO SCALE



**CONDUIT PENETRATION AT ROOF DETAIL**

NOT TO SCALE