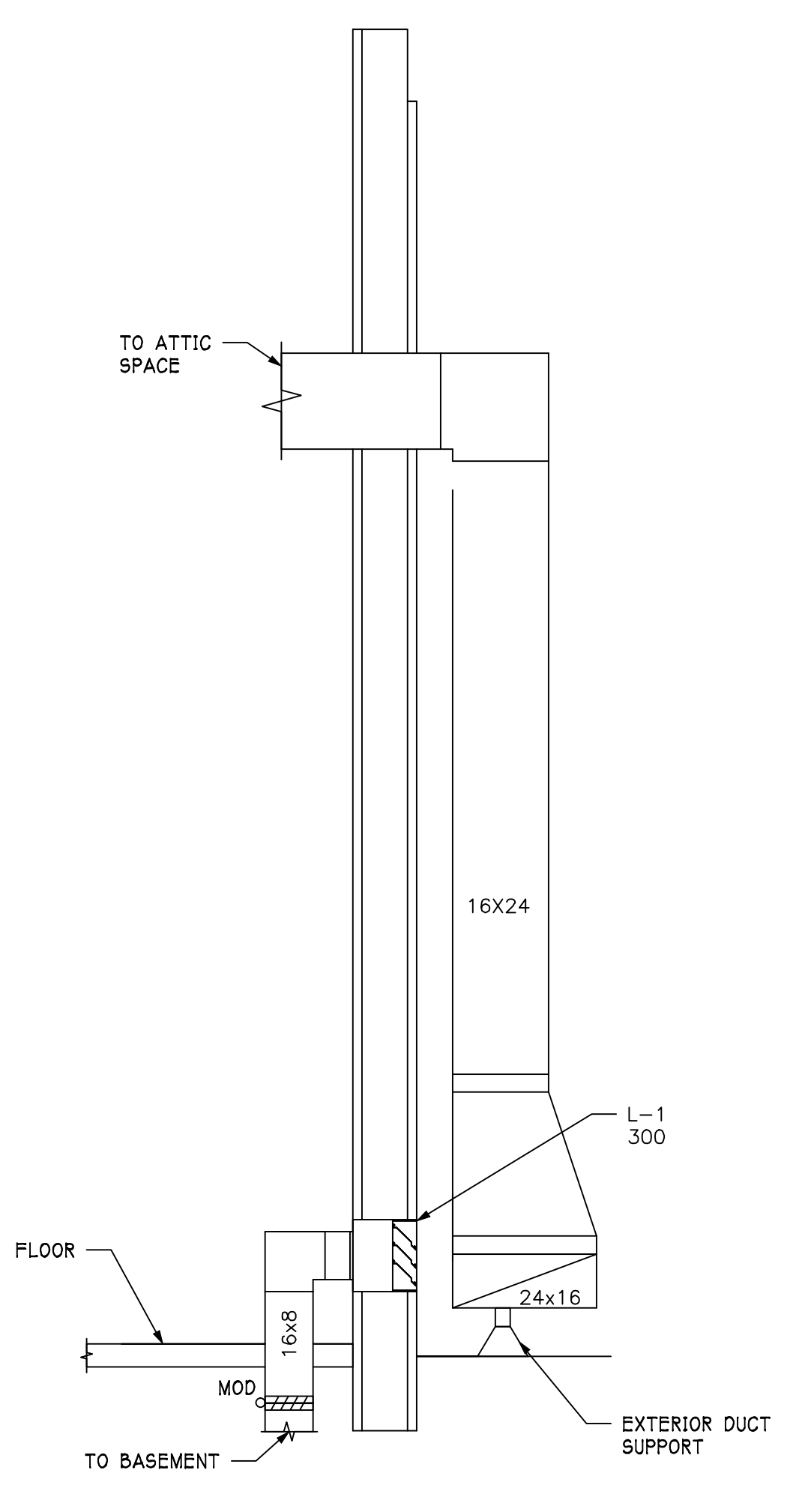
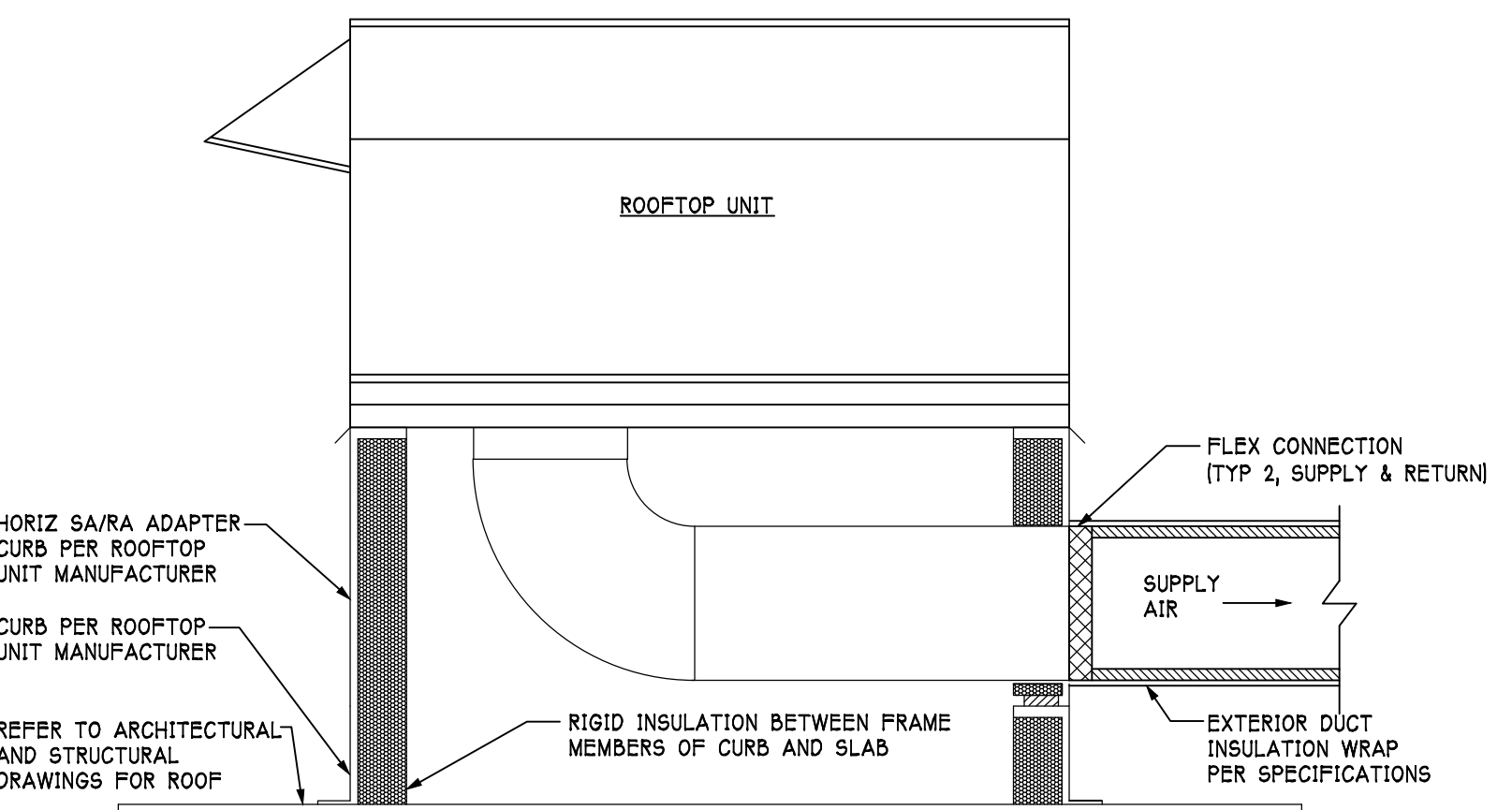


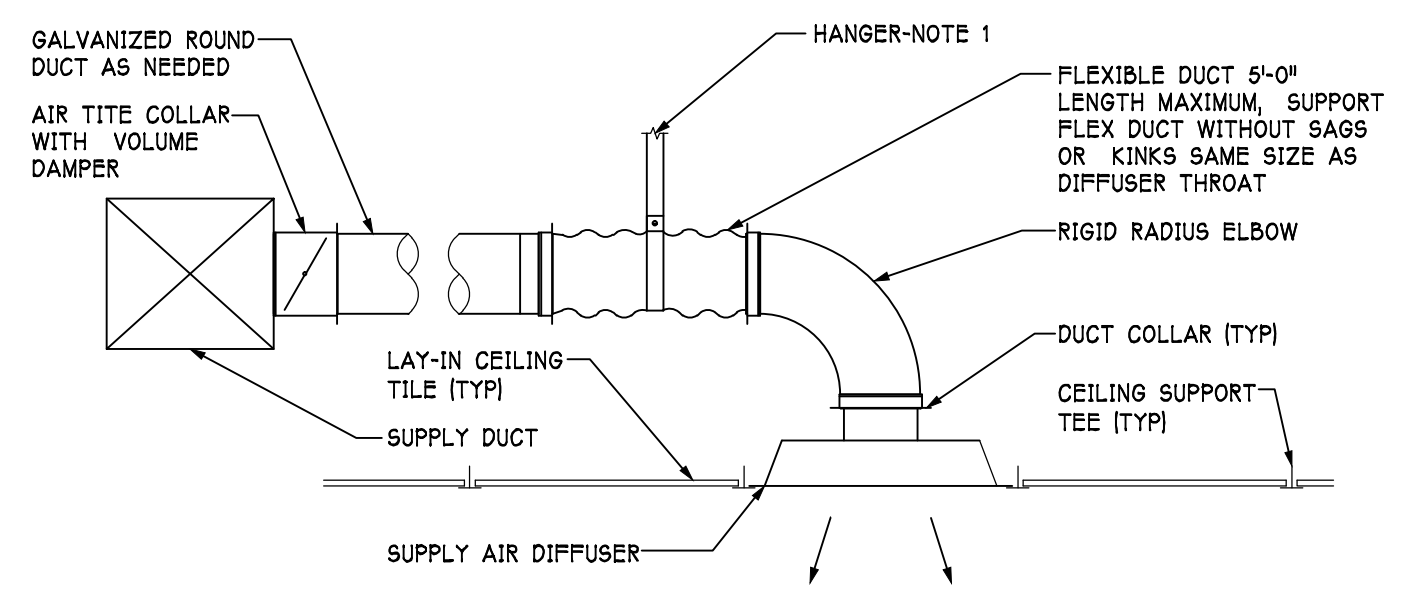
1 MECHANICAL EXTERIOR CROSS SECTION
M301 NOT TO SCALE



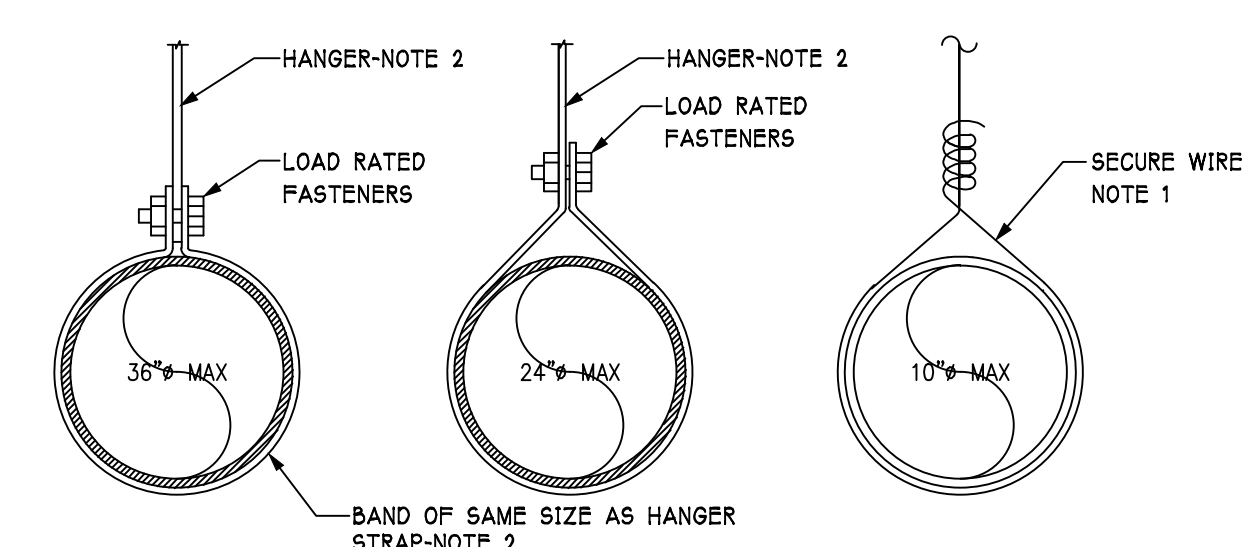
2 MECHANICAL CROSS SECTION
M301 NOT TO SCALE



PACKAGED COMMERCIAL ROOFTOP UNIT SIDE DISCHARGE CURB DETAIL
NOT TO SCALE

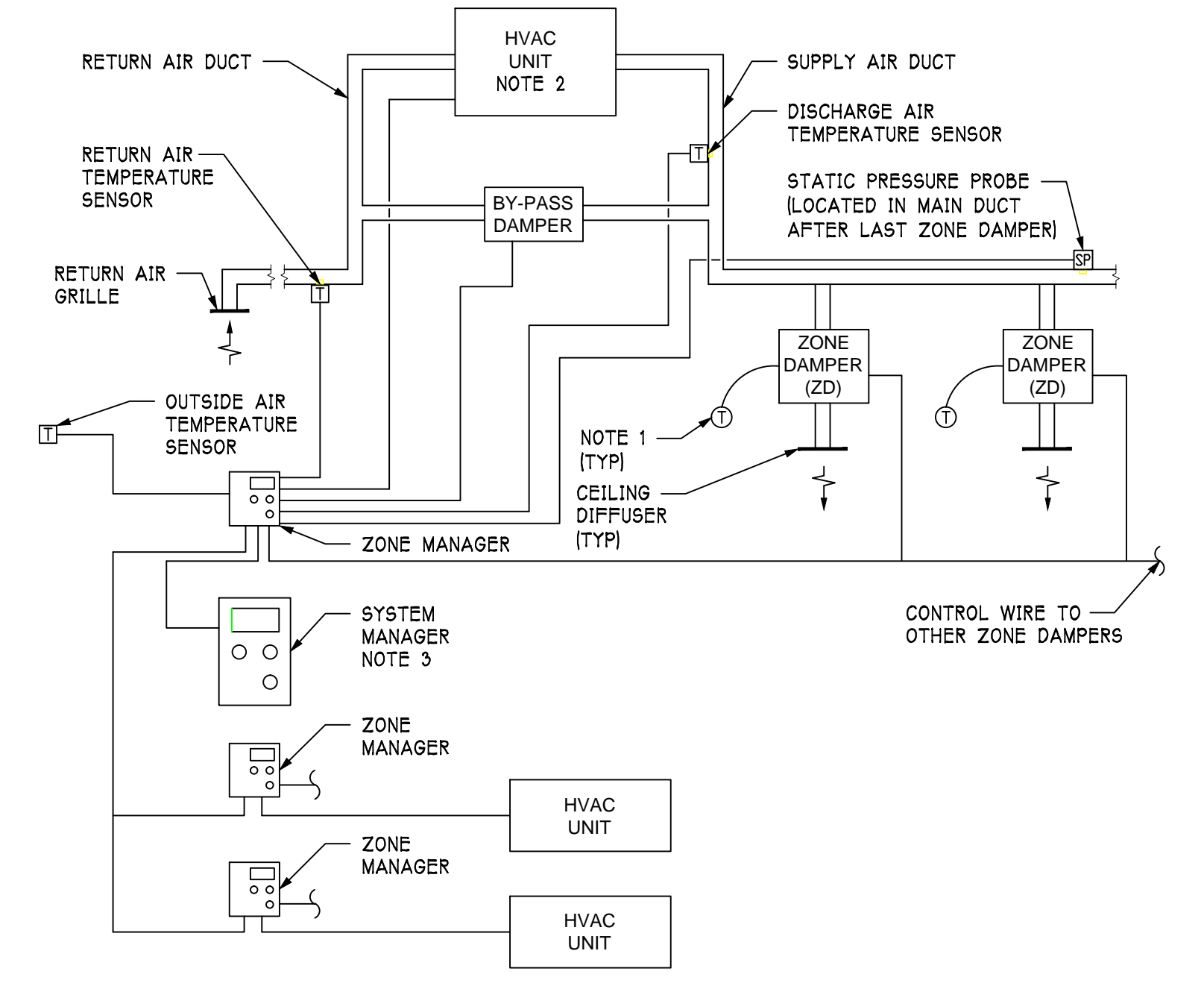


SUPPLY AIR DIFFUSER DETAIL
NOT TO SCALE



MINIMUM HANGER SIZE FOR ROUND DUCT				
DIA.	WIRE DIA.	MAXIMUM SPACING	STRAPS	RODS
SMALLER	(1) 12 GA.	12'	7x 22 GA	1/4"
11-18"	(2) 12 GA.	12'	7x 22 GA	1/4"
19-24"	(2) 10 GA.	12'	7x 22 GA	1/4"
25-36"	(2) 8 GA.	12'	7x 20 GA	3/8"

ROUND DUCT HANGERS
NOT TO SCALE



ZONE DAMPER SYSTEM SCHEMATIC
NOT TO SCALE (WATTMASTER AUTO-ZONE BASIC SYSTEM)

- NOTES**
- ROOM SENSOR WITH OVERRIDE AND SET POINT ADJUSTMENT.
 - PROVIDE MINIMUM (1) ONE TRANSFORMER PER SYSTEM.
 - PROVIDE SEPARATE INDEPENDENT TRANSFORMER FOR SYSTEM MANAGER.

TABLE 1 STRAP HANGERS (PAIR) SPACED

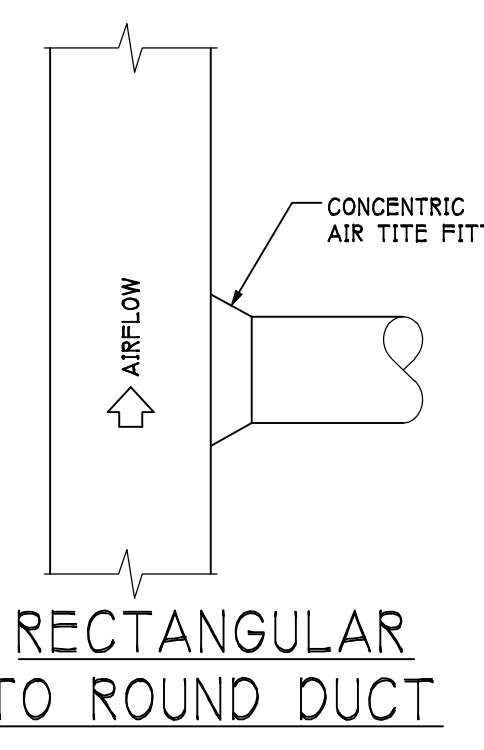
W-D MAX.	10'-0" MAX.	8'-0" MAX.	5'-0" OR LESS
72"	1x 22 GA.	1x 22 GA.	1x 22 GA.
84"	1x 20 GA.	1x 20 GA.	1x 22 GA.
120"	1x 18 GA.	1x 22 GA.	
168"		1x 18 GA.	
192"		1x 16 GA.	
192"	SPECIAL ANALYSIS REQUIRED		

TABLE 2 ALLOWABLE HANGER LOAD MAX.

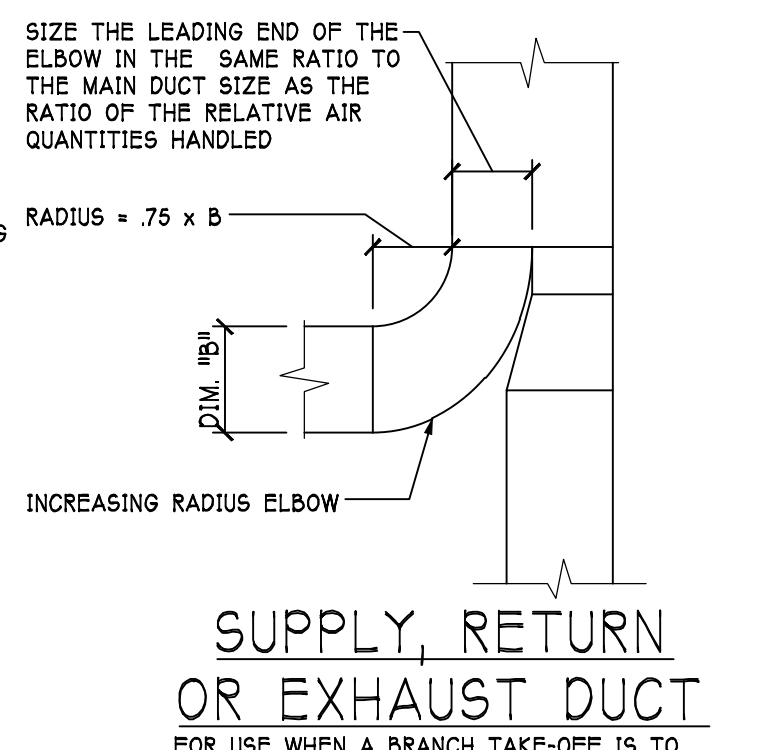
STRAPS	LBS.	RODS	LBS.
(2)-1x 22 GA.	520	2 -1/4" DIA.	540
(2)-1x 20 GA.	640	2 -3/8" DIA.	1360
(2)-1x 18 GA.	840	2 -1/2" DIA.	2500
(2)-1x 16 GA.	1400	2 -5/8" DIA.	4000
		2 -3/4" DIA.	6000

- NOTES**
- TABULATED DATA FROM SMANCA ALLOWS FOR DUCT REINFORCING AND INSULATION, BUT NO EXTERNAL LOAD.
 - PROVIDE HIGH DENSITY INSERT AT TRAPEZE FOR INSULATED DUCTS.

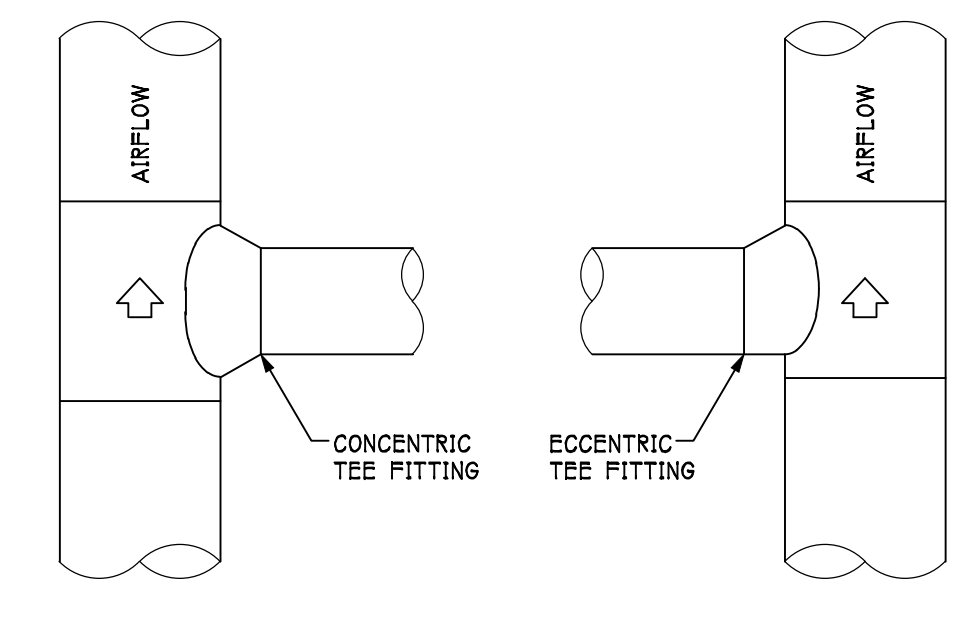
RECTANGULAR DUCT HANGERS
NOT TO SCALE



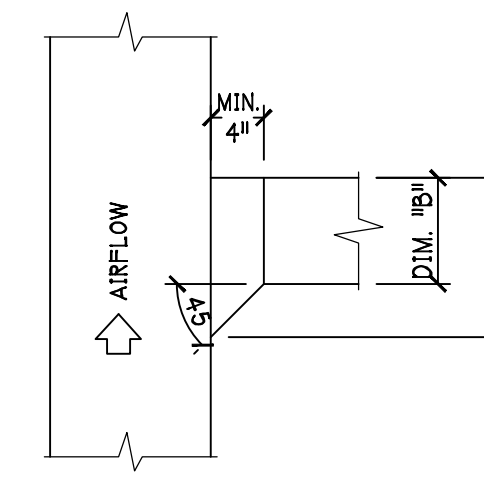
RECTANGULAR TO ROUND DUCT
SUPPLY DUCT



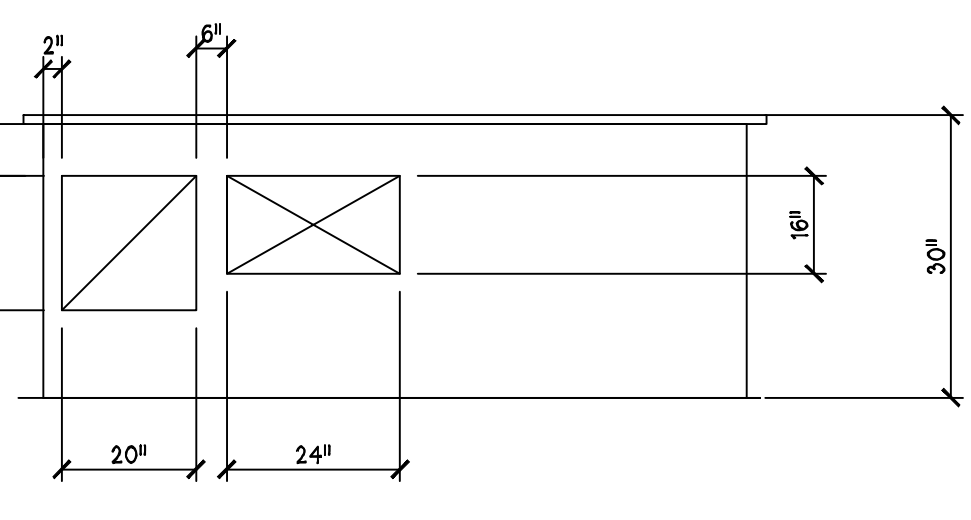
SUPPLY, RETURN OR EXHAUST DUCT
RETURN OR EXHAUST DUCT



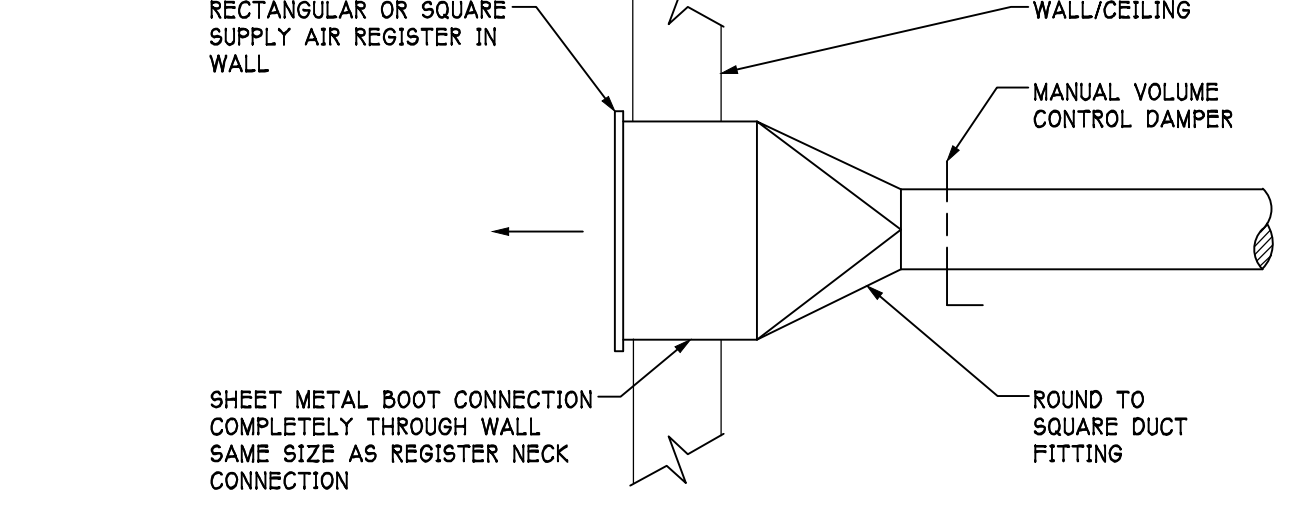
ROUND DUCT BRANCH TAKE OFF
NOT TO SCALE



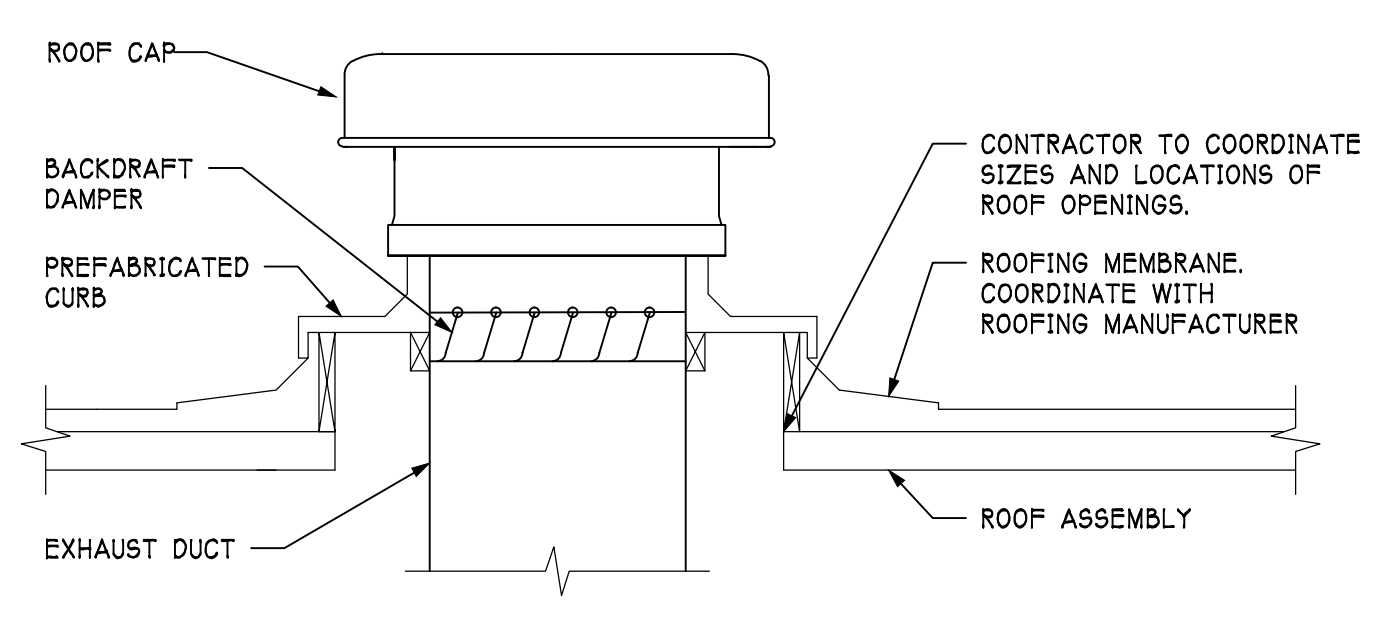
RECTANGULAR DUCT BRANCH TAKE OFF
NOT TO SCALE



RTU-3 SIDE DISCHARGE PLENUM CURB DETAIL
NOT TO SCALE



SIDEWALL SUPPLY AIR BOOT CONNECTION DETAIL
NOT TO SCALE



ROOF CAP MOUNTING DETAIL
NOT TO SCALE

Revisions:

No.	Date: