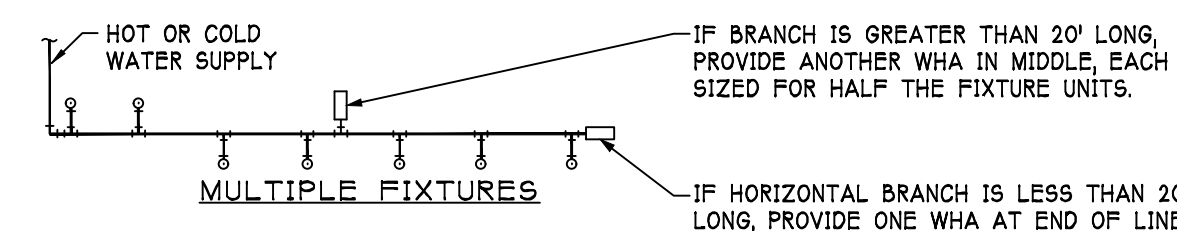


**Revisions:**

No:	Date:
No:	Date:
No:	Date:
No:	Date:
No:	Date:



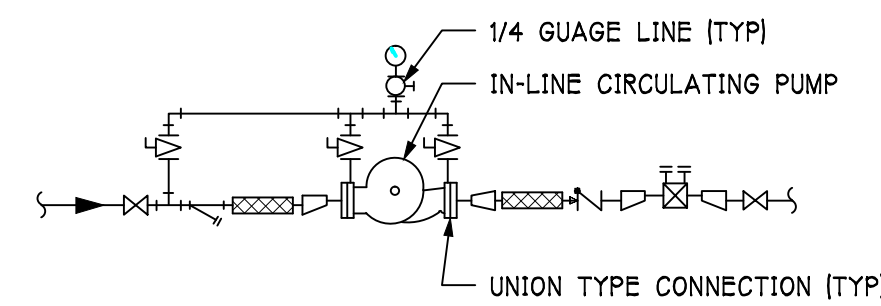
PDI SIZE	PIPE SIZE	FIXTURE UNIT LOAD
A	1/2"	1-11
B	3/4"	12-32
C	1"	33-60
D	1-1/4"	61-113
E	1-1/2"	114-154
F	2"	154-330

FIXTURE UNIT TABULATION	FIXTURE UNIT TABULATION	
	COLD	HOT
VALVE WATER CLOSET	10	...
TANK WATER CLOSET	5	...
URNAL	5	...
LAVATORY/SINK	1.5	1.5
JANITORS SINK	3	3
SHOWER/BATHTUB	2	2

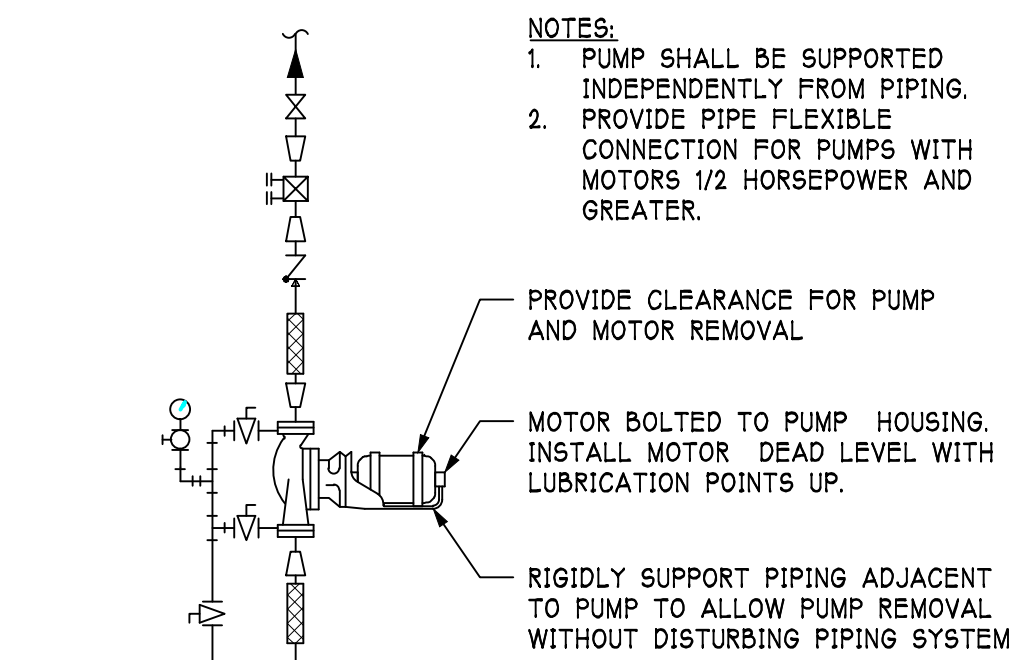
INSTALL IN HORIZONTAL OR VERTICAL POSITION, BUT NEVER UPSIDE DOWN. INSTALL IN LINE WITH WATER FLOW DIRECTION IF POSSIBLE. SIZE THE UNITS AS SHOWN ON THE DRAWINGS AND/OR PER THE TABLES SHOWN ABOVE. PROVIDE ACCESSIBILITY TO "WHA".

**WATER HAMMER ARRESTER DETAIL**

NOT TO SCALE



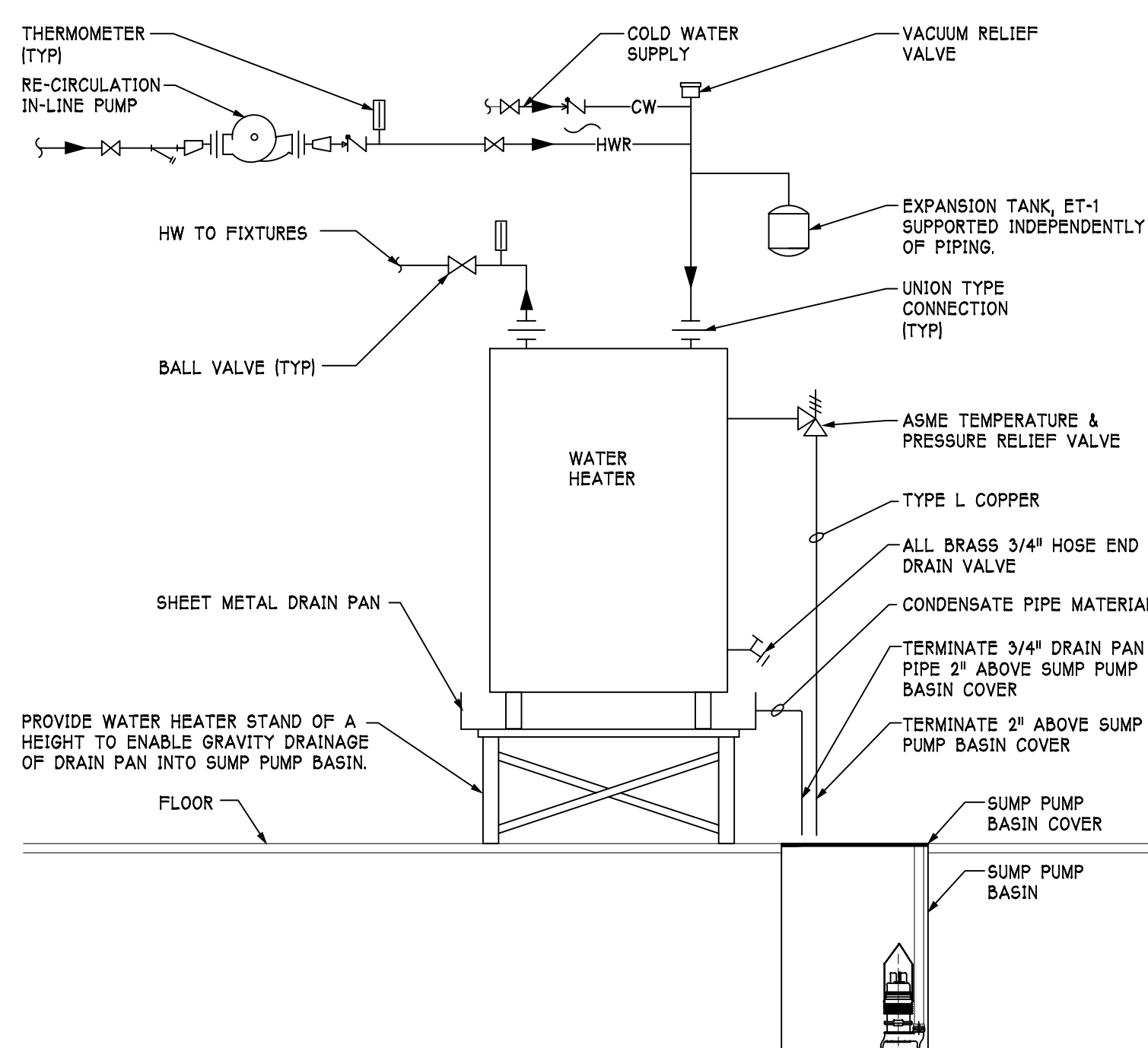
**HORIZONTAL INSTALLATION**



**UP FLOW VERTICAL INSTALLATION**

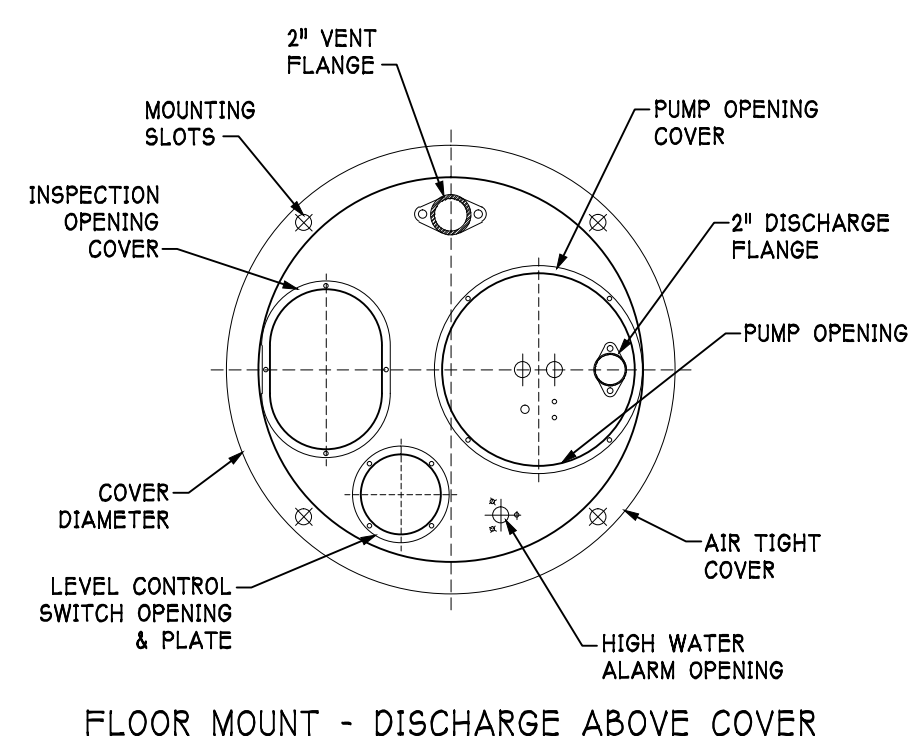
**IN-LINE CIRCULATION PUMP PIPING DIAGRAM**

NOT TO SCALE

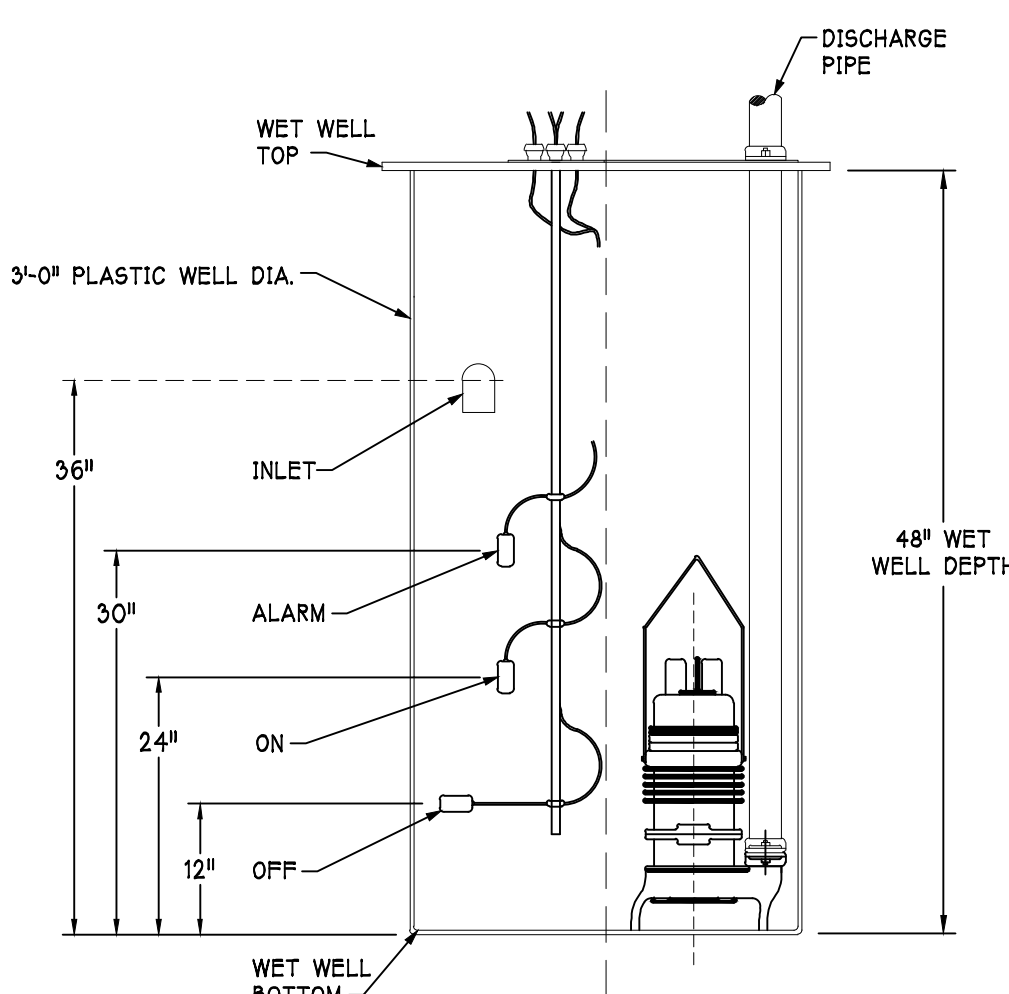


**DOMESTIC WATER HEATER PIPING SCHEMATIC**

NOT TO SCALE

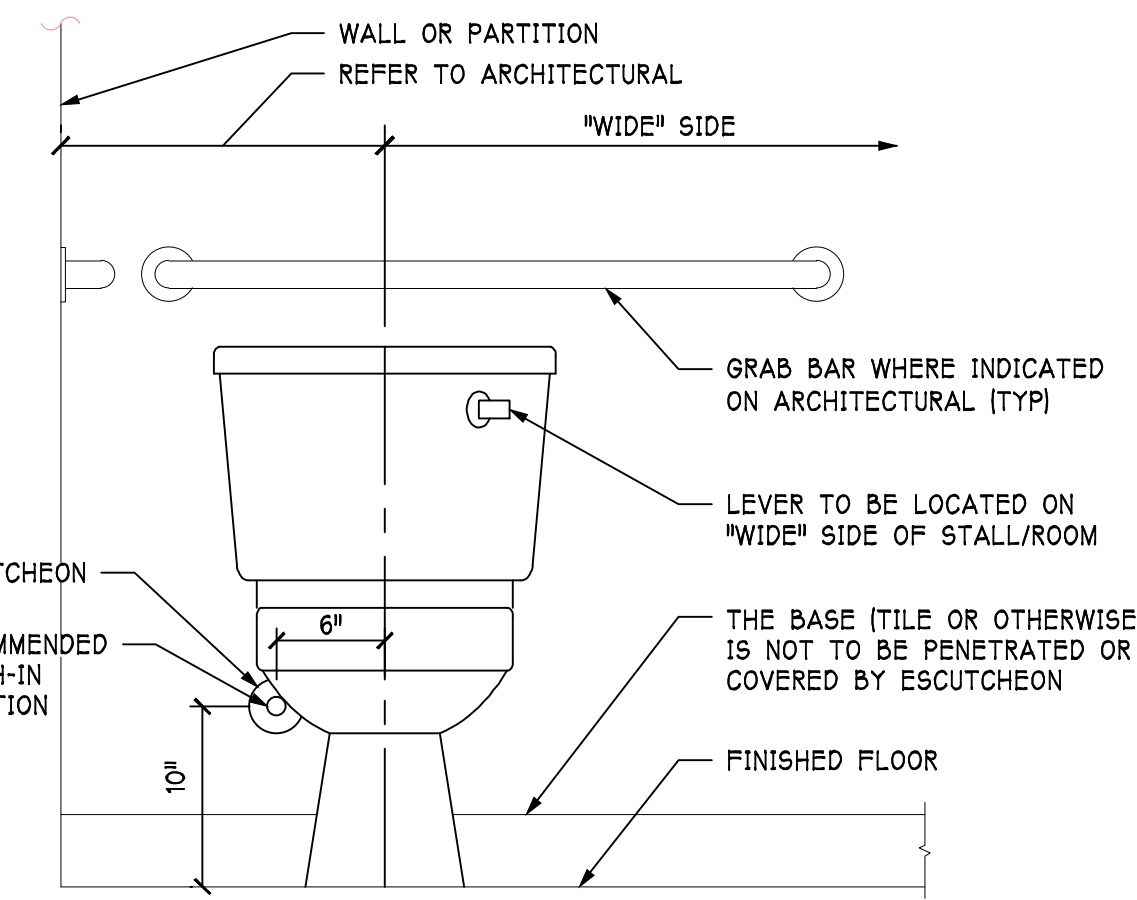


**FLOOR MOUNT - DISCHARGE ABOVE COVER**



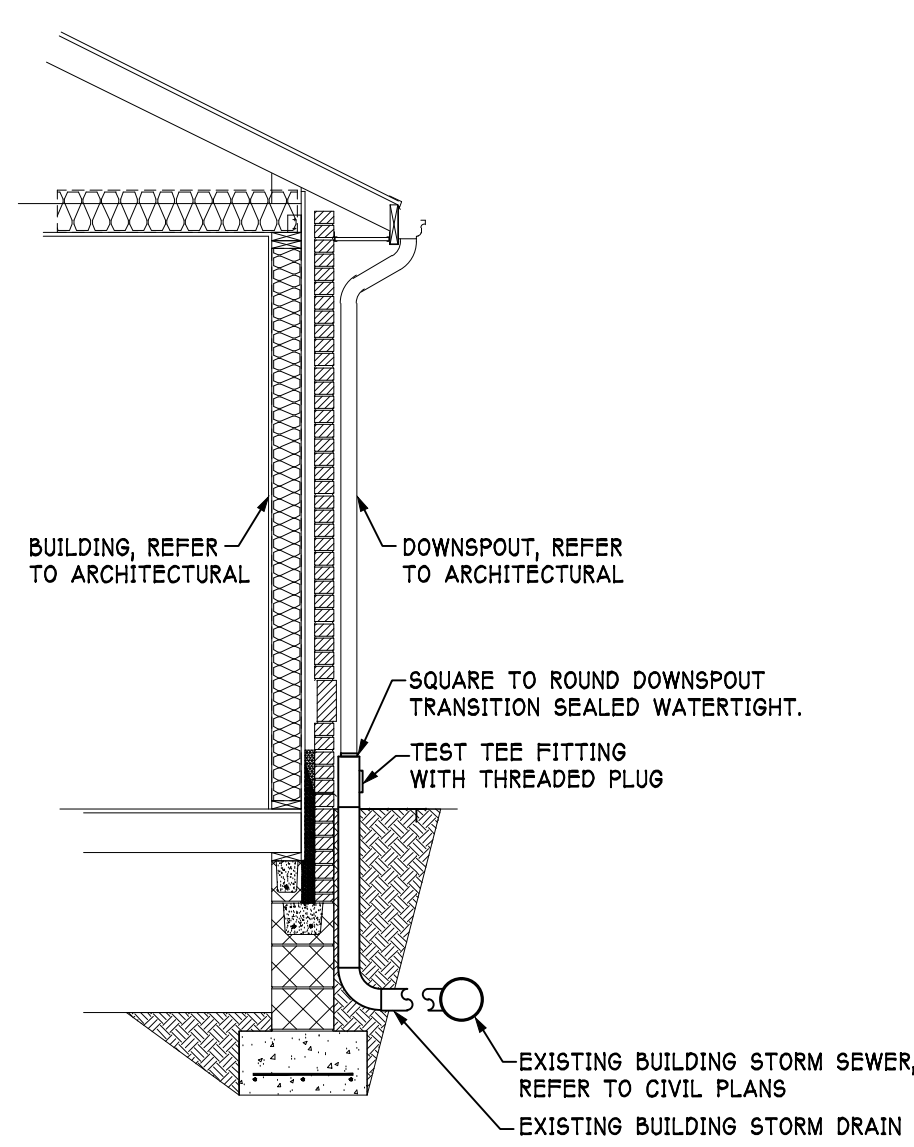
**SIMPLEX SUBMERSIBLE PUMP**

NOT TO SCALE



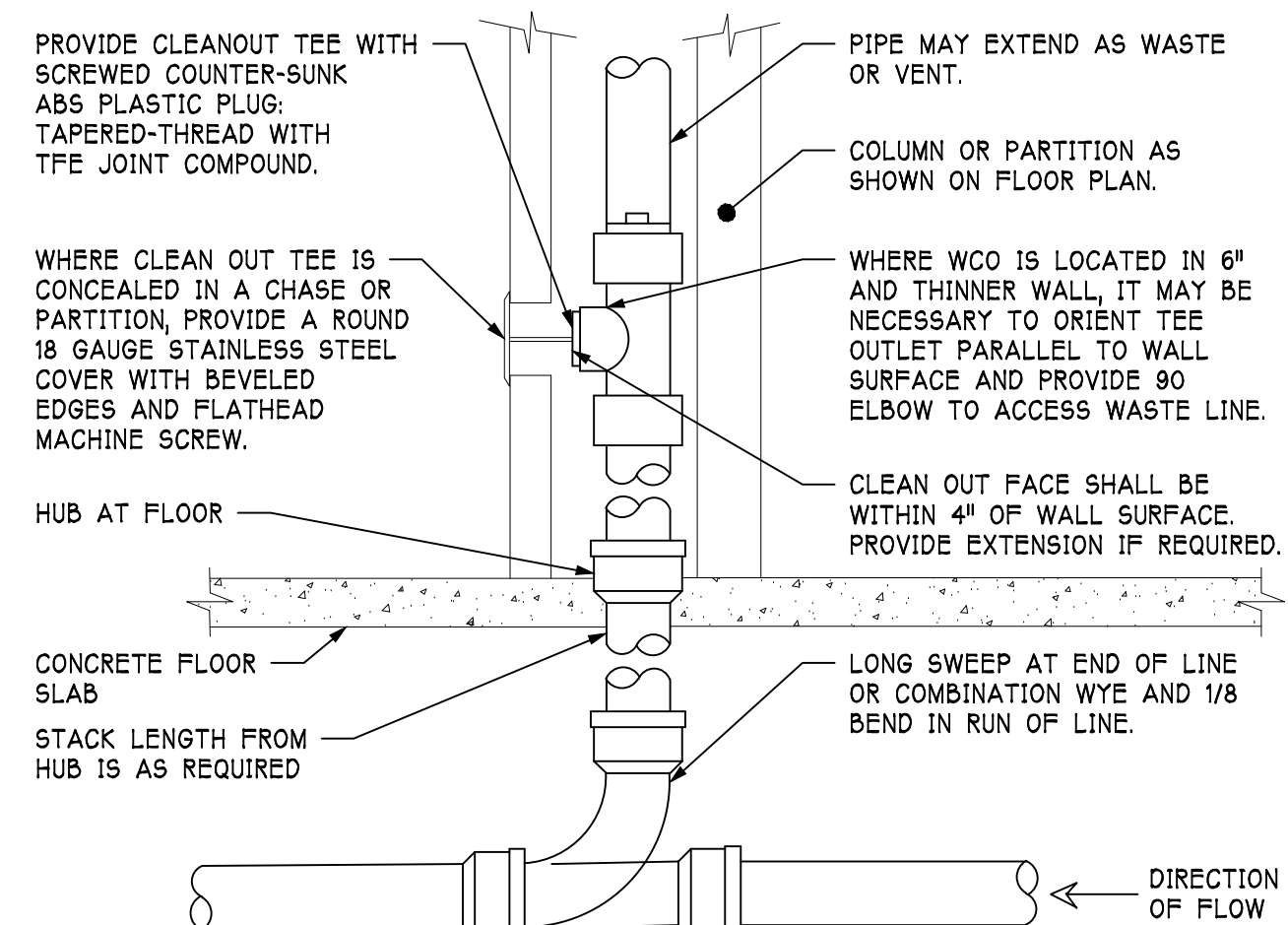
**WATER CLOSET DETAIL**

NOT TO SCALE



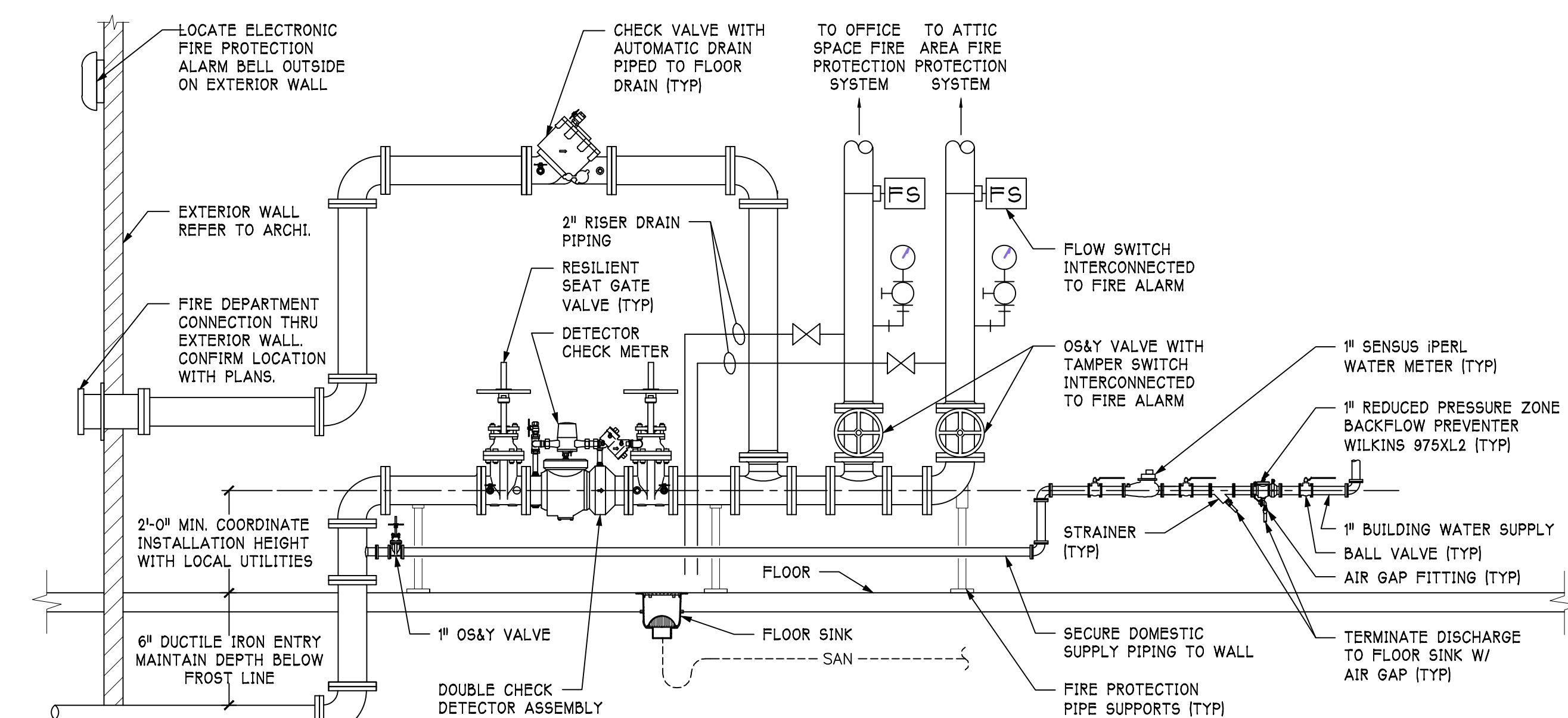
**STORM WATER CONNECTION**

NOT TO SCALE



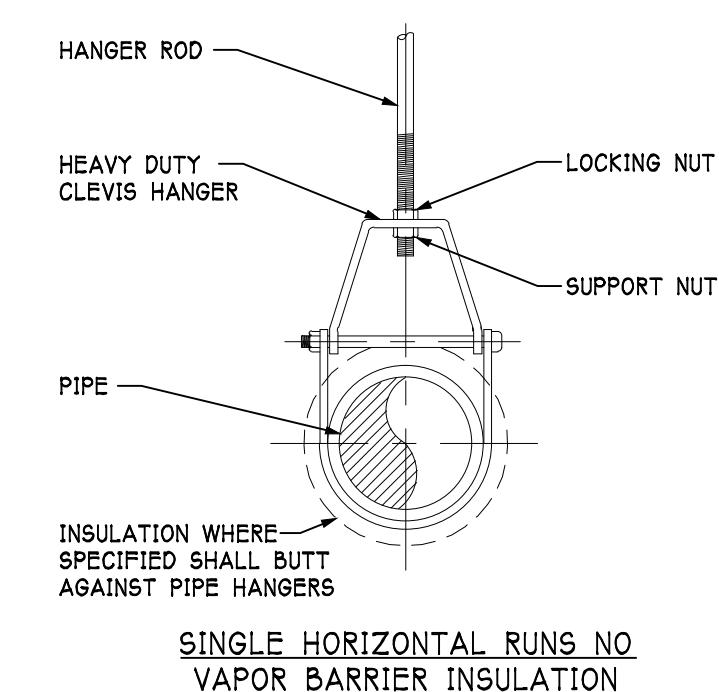
**WALL CLEANOUT DETAIL**

NOT TO SCALE



**COMBINED FIRE PROTECTION AND DOMESTIC WATER ENTRY DETAIL**

NOT TO SCALE



**HANGER SPACING**

MATERIAL	PIPE SIZE	MAX ALLOWABLE SPACING	
		HORIZONTAL	VERTICAL
ABS PIPE	ALL	4'	10'
CAST-IRON PIPE	ALL	4'	10'
COPPER OR COPPER ALLOY TUBING	1-1/4" AND SMALLER	6'	6'
	1-1/2" AND LARGER	10'	10'
CROSS-LINKED POLYETHYLENE (PEX) PIPE	ALL	32"	10'
CROSS-LINKED POLYETHYLENE/ALUMINUM/POLYETHYLENE (PEX-AL-PEX) PIPE	ALL	32"	4'
CPVC PIPE OR TUBING	1" AND SMALLER	3'	10'
	1-1/4" AND LARGER	4'	10'
STEEL PIPE	ALL	10'	10'
PB PIPE OR TUBING	ALL	32"	4'
POLYETHYLENE/ALUMINUM/POLYETHYLENE PIPE (PE-AL-PE) PIPE	ALL	32"	4'
PVC PIPE	ALL	4'	10'

\*MAXIMUM PIPE SPACING IS BASED ON 9' LENGTHS OF PIPE. IF 10' OR LARGER PIPE LENGTHS ARE USED THEN MAXIMUM HORIZONTAL SPACING IS TO BE INCREASED TO 10'

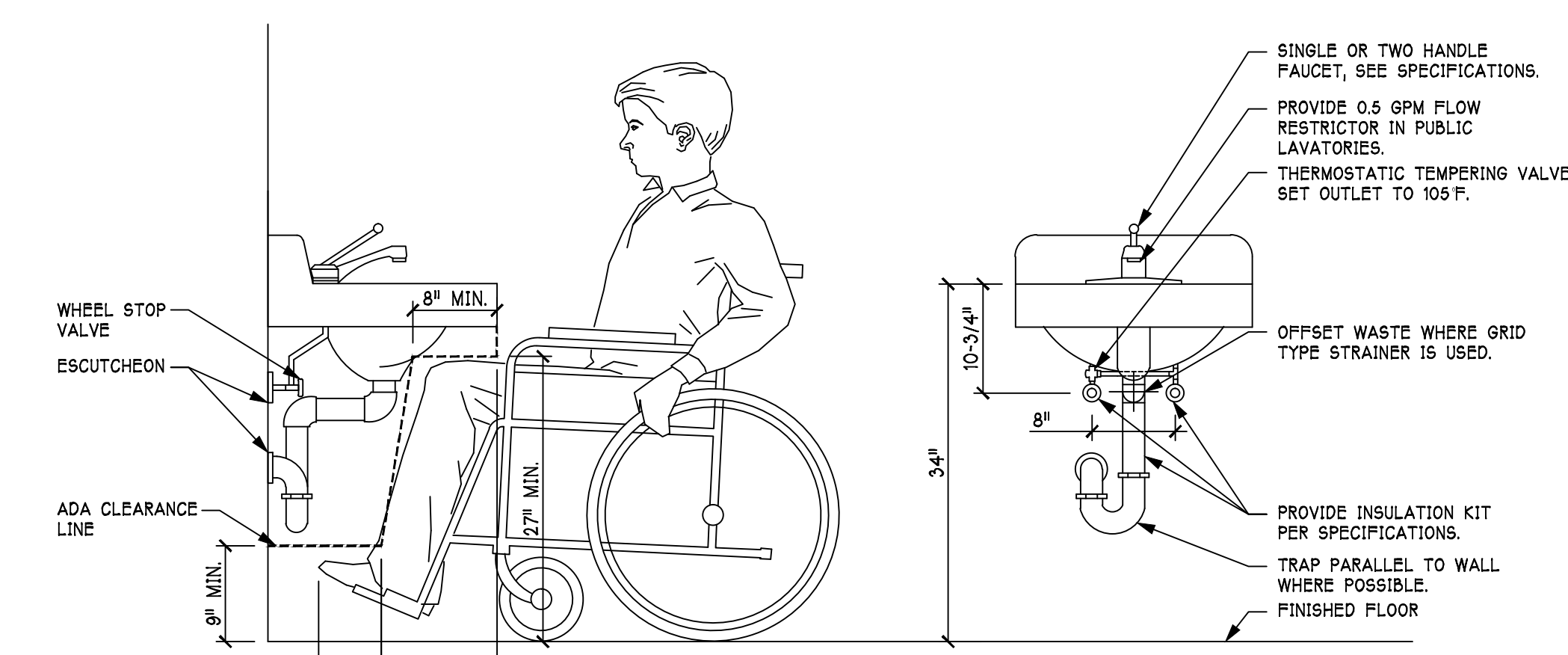
NOTES:  
 1. FOR TRAPEZOID HANGER TAKE SPACING OF SMALLEST PIPE ON TRAPEZOID.  
 2. THE SPACING SHOWN IN SCHEDULE IS MAXIMUM SPACING PIPE WILL SPAN. SHOULD BE CHECKED FOR LOAD SUPPORT.  
 3. THE HANGER SUPPORTS AND STRUCTURAL ELEMENTS OF THE BUILDING SHOULD BE CHECKED FOR LOAD SUPPORT.  
 4. SPACING MAY HAVE TO BE REDUCED TO LIGHTEN LOAD ON CERTAIN HANGER SUPPORTS.

**HANGER ROD SCHEDULE**

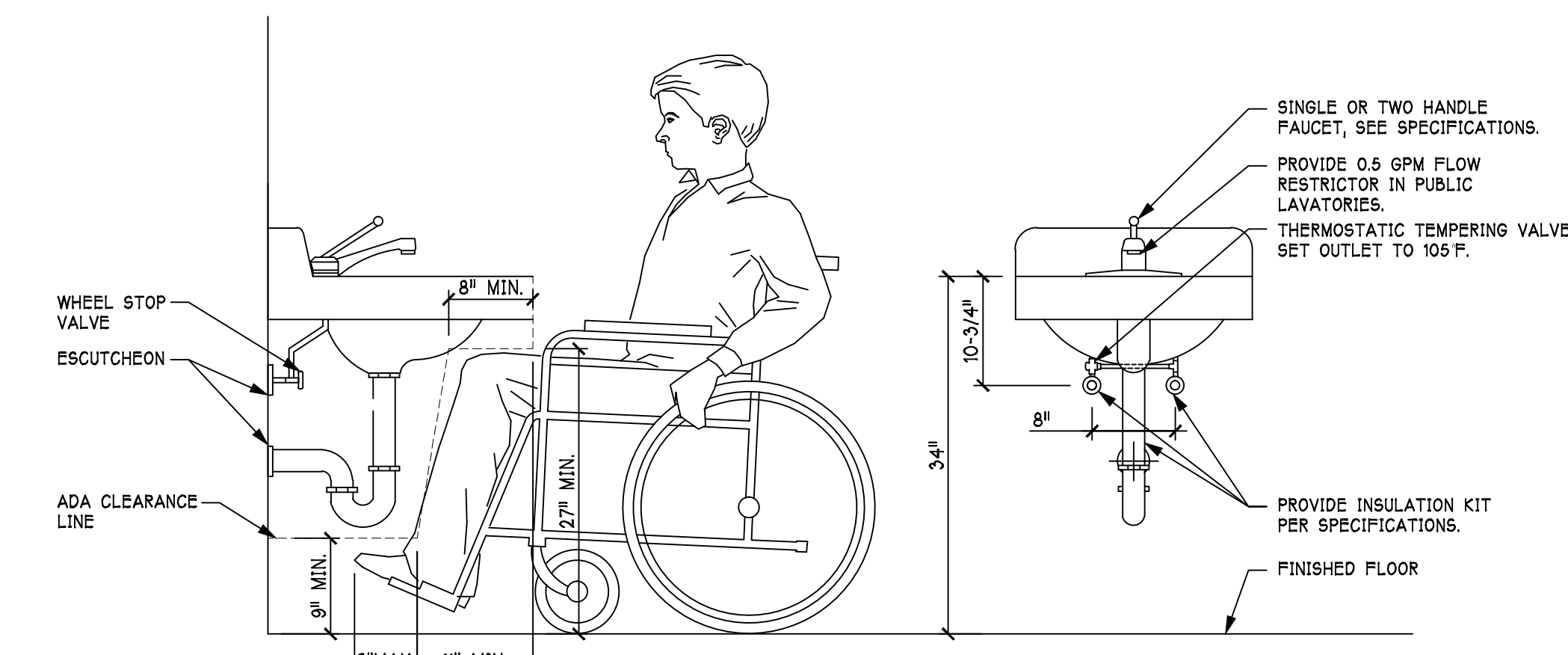
PIPE SIZE	ROD SIZE	PIPE SIZE	ROD SIZE
UP TO 2"	3/8" DIA.	4" THRU 5"	5/8" DIA.
2 1/2" THRU 3"	1/2" DIA.	6" THRU 12"	7/8" DIA.

**CLEVIS HANGER DETAIL**

NOT TO SCALE



**LAVATORY W/ OFFSET TRAP**



**LAVATORY W/ OFFSET DRAIN**

**ADA LAVATORY DETAIL**

NOT TO SCALE